



S58115 Walk-Safe® Medium

S58139 Walk-Safe® Large



Mandatory to read instructions for use. Ensure you read and follow these instructions carefully. Keep instructions in a safe place for future reference.

Intended Use

The 'Walk-Safe®' provides a standing and walking support to semi- ambulant mobility impaired users who can bear weight on both arms and legs. It also helps users rise from or lower to a seated position.

Symbols

Symbols used on the product and in these instructions.



Manufacturer



Batch Reference Code



Consult the instructions for use



Item/Catalogue number



Mandatory to read instructions for use



Recycling Symbol



Maximum User Weight



Warning



Medical Device



European Conformity /
Conformité Européene



Unique Device Identification System



Authorised representative in the European Community

Safety



If you are unsure how to use the device, or if you feel unsafe or unwell using the device, stop using the device and consult a healthcare professional.



DO NOT exceed the maximum user weight of 160 kg (25 stone).



For indoor use only

DO NOT:

- Use if you cannot bear weight on both arms and legs.
- Use on slippery or wet floors.
- Use on uneven floors.
- Use to go upstairs.



If the Walk Safe is damaged or develops a fault, you must stop using the device immediately, and contact your supplier or the manufacturer.



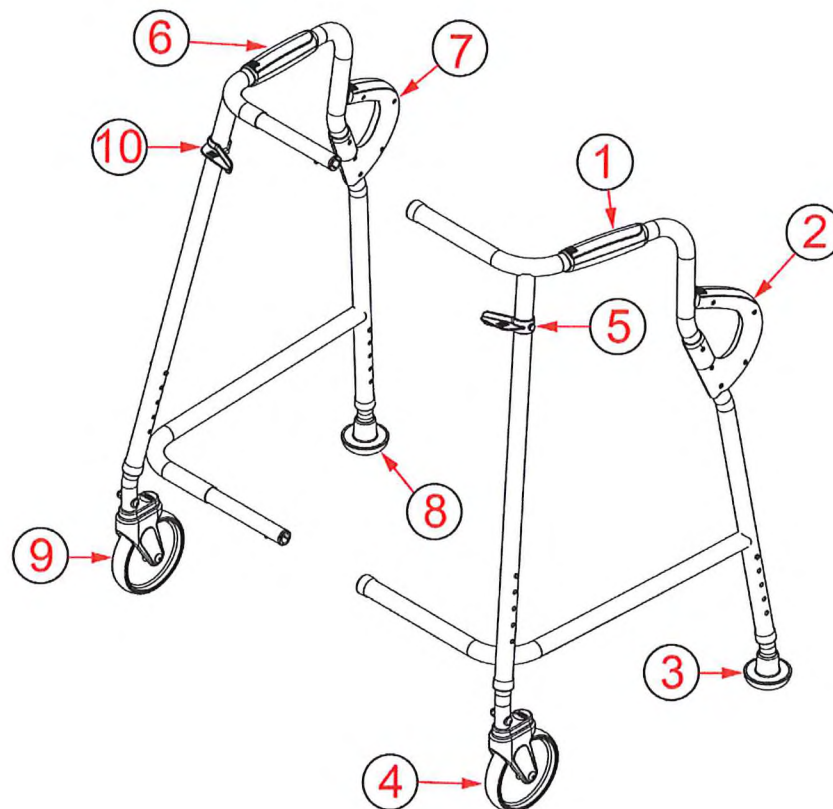
Report any serious incident relating to using the Walk Safe to the manufacturer and the competent authority of the area in which the user is established.

Unpacking

Remove the packaging and check all parts carefully.



Contact your supplier or service provider immediately if ANY parts are missing or damaged. DO NOT try to assemble.



Left Hand (LH) Frame Assembly

1. Upper Handle
2. Lower Handle
3. LH Slider assembly
4. LH Wheel Assembly
5. Caddy Rest

Right Hand (RH) Frame Assembly

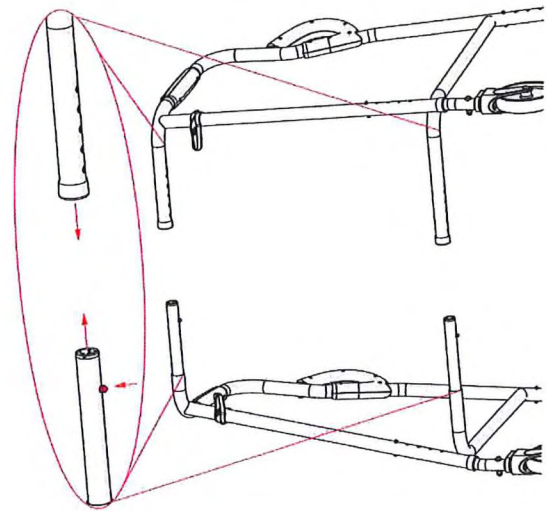
6. Upper Handle
7. Lower Handle
8. RH Slider Assembly
9. RH Wheel Assembly
10. Caddy Rest

Assembly

To assemble, rest one of the frame assemblies on its side and push the two assemblies together at their horizontal tubes while pressing the button locks. The lower frame tubes extend slightly more than the upper tubes, so you may find it easier to push those together first.

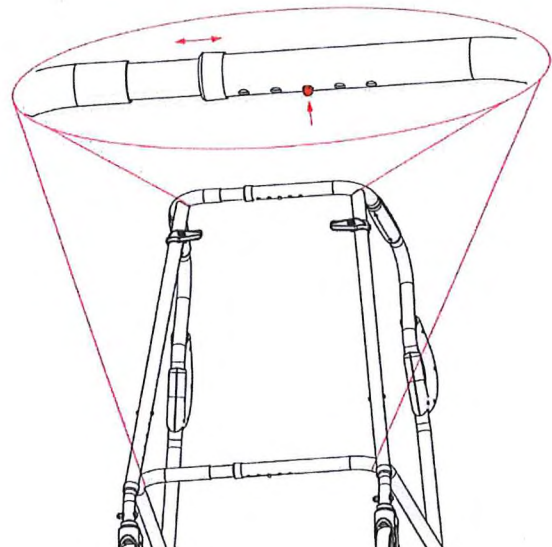
Disassembly

Reverse the procedure to disassemble if the frame needs to be disassembled for storage, transport etc.



Width Adjustment

Press the button locks and push the two frame halves further together or further apart in 20 mm increments. Adjust the 'frame' width until your hips fit comfortably between the upper handles. Frame width (inside handles) both sizes: 316-396mm (12.5"-15.5").



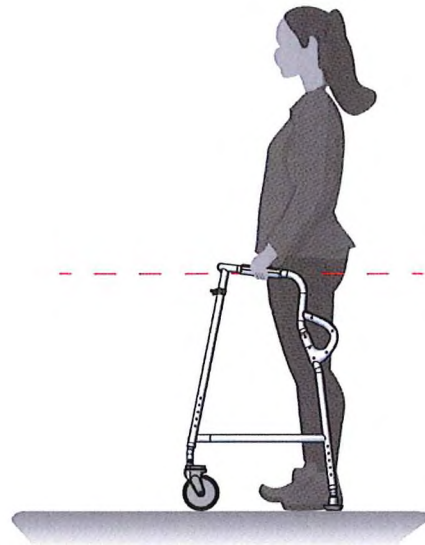
Height Adjustment

It is very important that the 'Walk- Safe®' is set to the correct height. To check the correct height of your frame, when standing holding the hand grips, your elbows should be slightly bent.

When standing with your hands by your side the hand grips should reach just above the wrist joint. Frame Height (to top of handles)

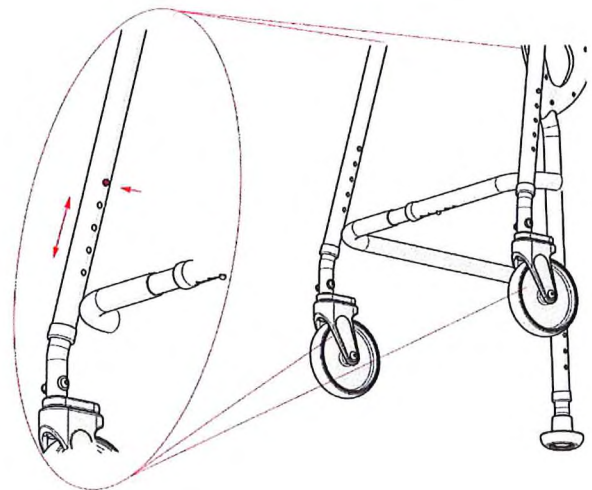
Medium: 760-860mm (30"-34")

Large: 860-960mm (34"-38").



To adjust the height, press the button locks above each wheel and slider assembly and adjust until they are at the height setting you need.

Ensure spring locators engage fully in the holes.



Ensure each leg of the frame is at the same height.

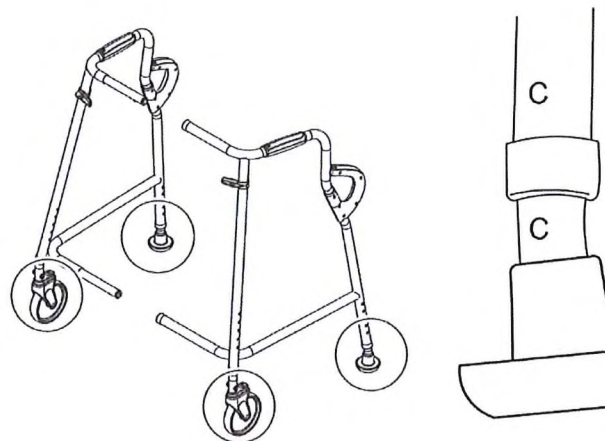


DO NOT extend the assemblies beyond their 'MAX' marking. This may cause injury.



The wheel assemblies include powerful magnets. Keep **ANY** sensitive equipment at least 6" (152 mm) away from them during assembly and use.

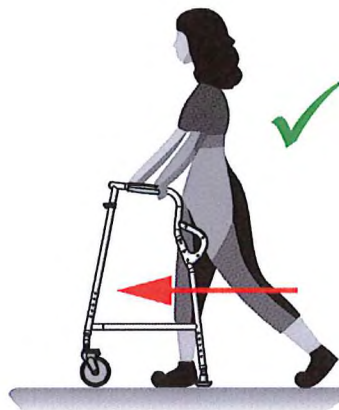
Each wheel and slider assembly are different, so they are labelled to identify their position relative to the frame. Ensure the letter on each assembly matches and aligns with the letter on the frame above.



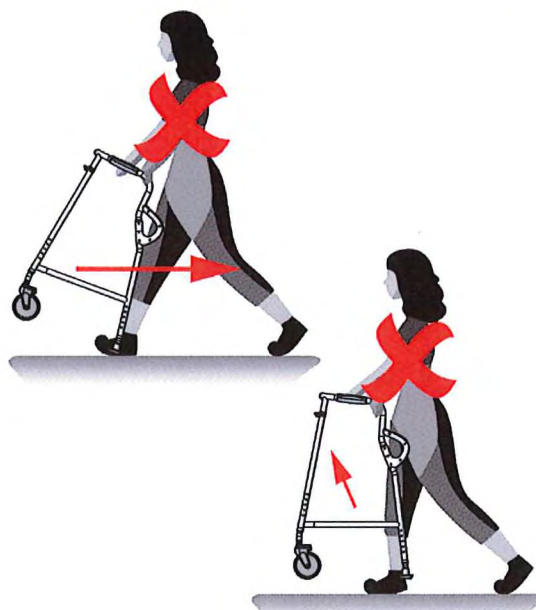
Using the 'Walk-Safe®'

Walking in a Straight Line

To walk in a straight line, push the frame forwards to approximately one step ahead. Walk into the frame, stepping one foot in front of the other. If one leg is weaker than the other, step with the weaker leg first.



Step into the frame with your feet just inside the back legs of the frame.
There is no need to lift the frame between steps on a normal level floor.



DO NOT walk too far into the frame. Step into the frame with your feet just inside the back legs of the frame.



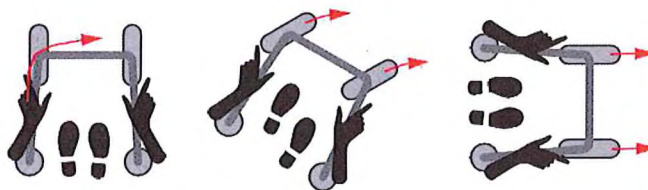
TIPPING HAZARD: DO NOT stretch to reach the frame. Failure to do so could cause personal injury.



TIPPING HAZARD: DO NOT try to walk backwards as this could tip the frame. Failure to do so could cause personal injury.

Turning

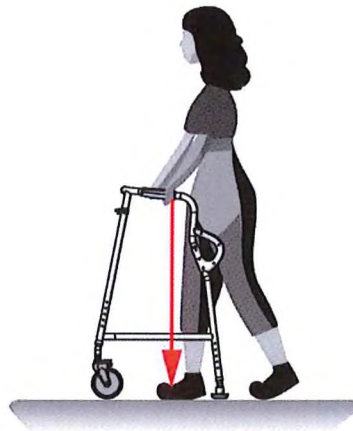
To turn the frame, apply a little 'steering' effort to the handles of the frame. This will make the front wheels turn, and the frame will go in the direction you require. When you begin walking in a straight line the front wheels will return to the straight ahead.



TIPPING HAZARD: DO NOT lift the frame to turn.

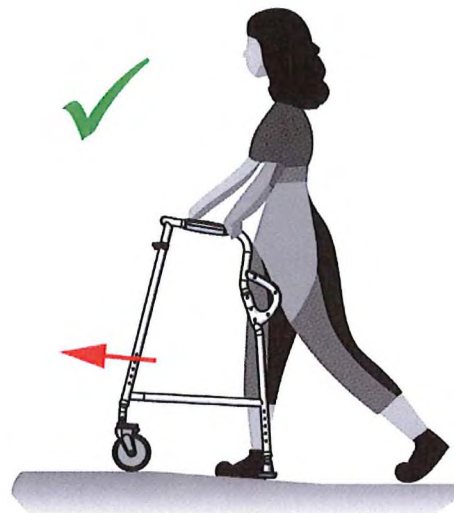
Stopping

If you feel the frame is sliding away from you, to stop movement, press down on the upper handles. The slider assemblies include rubber brakes that will contact the floor to stop movement.



Thresholds

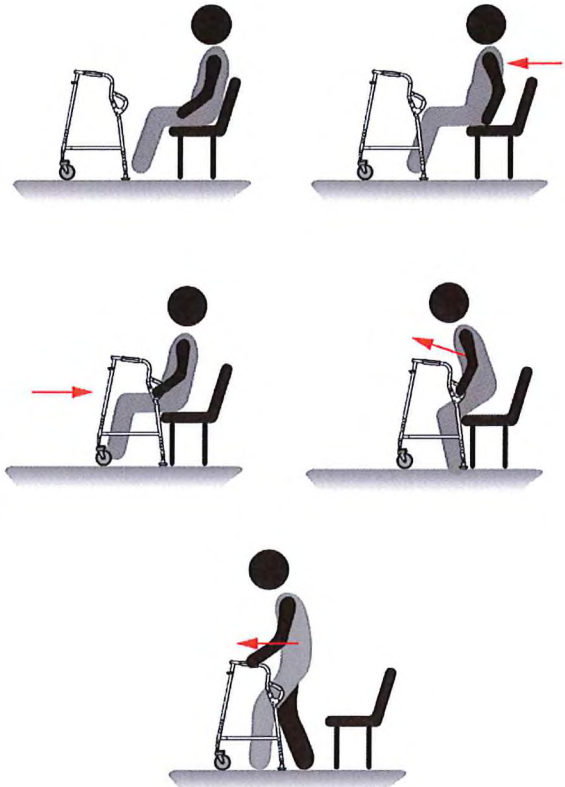
The 'Walk-Safe®' is designed to allow you to cross low thresholds such as thin rugs or door thresholds without lifting the frame. For larger thresholds you must carefully lift the frame.



Standing Up

Move to the front edge of your chair or bed.
Lightly pull the lower handles of the frame towards you so that it surrounds your legs and touches the chair or bed.

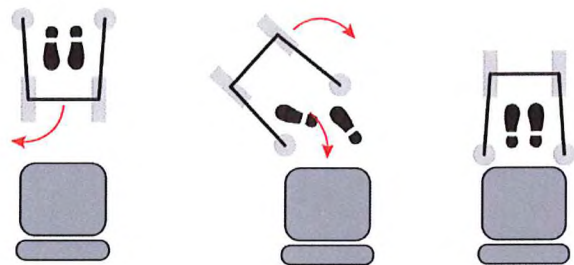
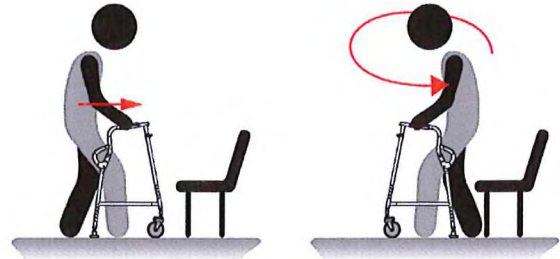
Leaning forward, hold the lower handles of the frame and use them to push yourself up into the frame to a standing position, then move first one hand and then the other to the upper handles as you rise to a full standing position.



Always push yourself upwards towards the frame. Never pull back on the frame or it will tip back and may cause injury.

Sitting Down

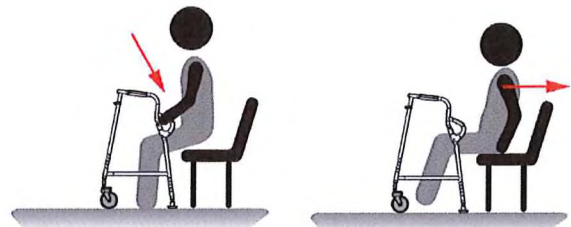
Walk to your chair or bed, then turn with the frame just in front of the chair or bed, so the chair or bed is touching the back of your legs.



Use the lower handles of the frame to lower yourself to the edge of the chair or bed in a controlled manner.

As you lower your body towards the seated surface, move first one hand and then the other to the lower handles and keep pushing down on them for support.

Move yourself backwards in the chair to a proper seating position.



Fitting a Buckingham Caddy

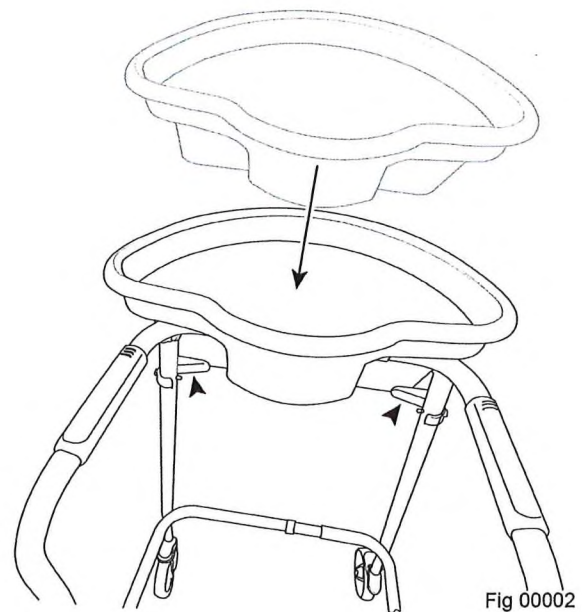
The 'Walk-Safe®' is designed to accept a Buckingham Caddy.

The Buckingham Caddy may be supplied with clips to attach to a walking frame. Please do not use these. The 'Walk-Safe®' is supplied with two caddy rests to keep the caddy in the right position.



To prevent the frame from tipping forwards, **DO NOT** add loads greater than 2 kg to the Buckingham Caddy. **DO NOT** hang any objects on the 'Walk-Safe®' (other than approved accessories)

Loosely place the 'Caddy' onto the frame as shown. Using even pressure firmly push the 'Caddy' down onto the frame ensuring the 'Caddy rests' locate against the 'Caddy'.



Maintenance

Inspect the 'Walk-Safe®' at regular intervals and before re-use for signs of general wear or damage. Regularly check:

- The frame is structurally sound, all handles, fasteners and button locks are secure.
- That the wheels swivel and rotate freely.
- The slider brakes for wear. See 'Wear Indicator' for more details.



If the Walk Safe is damaged or develops a fault, you must stop using the device immediately, and contact your supplier or the manufacturer.



When maintaining the Walk Safe, only use spare parts supplied by the manufacturer, see Spares and Accessories.

Inspect: Slider Brake

A circular groove in the central rubber brake part of the base of each slider indicates wear. When new, the indicator depth is roughly 2 mm. When you can no longer see the groove, you must replace the slider.

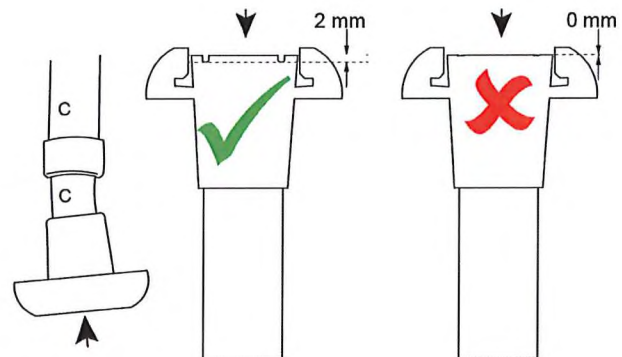


Fig 00003

Replace: Slider Brake

Pull off the old slider (1), push on the new slider (2) onto the slider tube (3). See 'Spares and Accessories'.

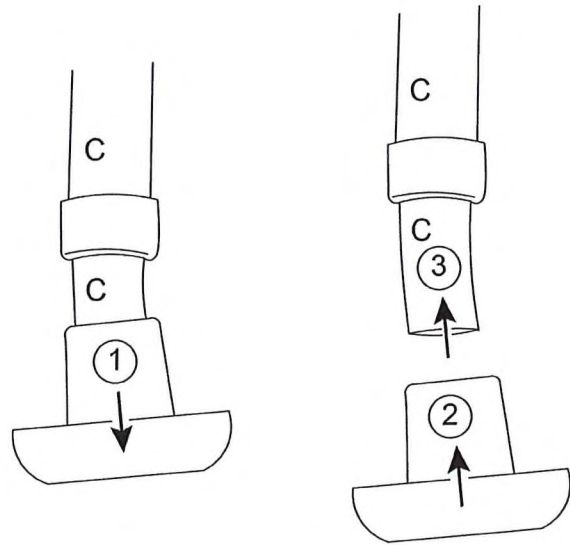


Fig 00001

Cleaning

Clean the 'Walk-Safe®' regularly using a general purpose, neutral detergent and warm water. Check the suitability of the cleaning product before use. Do not use abrasive cleaners or cloths as these could permanently damage the surface and invalidate the warranty.

To disinfect, wipe with a dilute bleach solution, and clean with a damp cloth. Allow product to fully dry before using and storage. The 'Walk-Safe®' may also be disinfected using steam cleaning.

Spares and Accessories

| Product Code | Description |
|--------------|-------------------------------------|
| S59867 | Caddy Rests (pair) |
| S59843 | Rear Leg Slider (pair) |
| S59829 | Castor Assembly Left Hand (single) |
| S59831 | Castor Assembly Right Hand (single) |
| S59806 | Lower Handle (single) |
| S59818 | Upper Handle (single) |
| L29877 | Buckingham Caddy |

Standards

This product complies with the following standards.

ISO 11199-1:2021 Assistive products for walking manipulated by both arms - Requirements and test methods.

Part 1: Walking Frames.

ISO 24415-1:2009 Tips for assistive products for walking - Requirements and test methods.

Part 1 Friction of tips.

Product Guarantee

NRS Healthcare guarantees the 'Walk-Safe®' for a period of 24 months, from the date of purchase, against faulty materials and workmanship.

This guarantee does not cover abuse, interference or tampering with any part of the products. Issues arising from fair wear & tear and customer misuse are not covered.

This guarantee covers domestic use only. If the product is used in commercial or semi-commercial settings such as care homes, schools, rental or communal accommodation etc, the guarantee is valid for one year only. Consumable parts are also guaranteed for one year only.

Any guarantee issued by NRS Healthcare does not affect your statutory rights.

Product Disposal

Thoroughly clean this product before disposal and recycle where possible.

This product is made of metal and plastic. It can be disposed of through Local Authority Household Waste and Recycling Centre or through Local Trade Waste Collectors.



Recycle any cardboard packaging.

If you have any problems with our products, please contact us.
We are a leading supplier of community equipment and daily living aids. Please visit one of our websites to see our full range of products.

| Contact Information: | |
|---|--|
| Telephone: +44 (0)345 121 8111 | Email: customerservice@nrshealthcare.co.uk |
| Websites: www.healthcarepro.co.uk | www.completecareshop.co.uk |



NRS Healthcare. Sherwood House, Cartwright Way, Forest Business Park, Bardon Hill, Coalville, Leicestershire, LE67 1UB, UK



NRS Healthcare
19/21 Altona Road Blaris Industrial Estate, Co Antrim, Lisburn, Northern Ireland BT27 5QB