



Walk Safe[®]

by NRS Healthcare

The most significant
change to walking
frame design in... **70**
YEARS

Developed in partnership with



University of
Salford
MANCHESTER



University
of Exeter



Choose Innovation

The NRS Walk Safe® is a revolutionary new walking frame, developed by NRS Healthcare in partnership with the University of Salford, and University of Exeter.

The Walk Safe® is proven to be twice as stable when turning compared to a traditional walking frame. We believe this will reduce risk of falls, reducing needs for hospital visits and long-term care costs.

Its patented magnetic swivel wheels and rear glides with integral brake enable the user to turn the frame without lifting yet maintain directional stability. This ensures the frame always provides control and support to the user, reduces effort and increases mobility and wellbeing.

The addition of lower handles provide extra support to enable a user to stand up and sit down.

Developed in Partnership

University of Salford research¹ indicated that traditional front wheeled walking frames showed a risk of instability during turning and crossing thresholds. We used this methodology to develop a safer walking frame design, which was tested by the University of Salford in their gait laboratory and in care homes². The new design showed a doubling of user stability during turning and improved stability crossing thresholds.

Developed in partnership with



University of
Salford
MANCHESTER



University
of Exeter

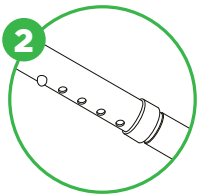
¹ Thies et al BMC Geriatr. 2020

² Thies et al BMC Geriatr. 2023

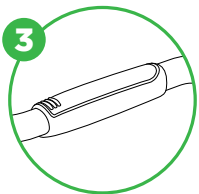
Key Features



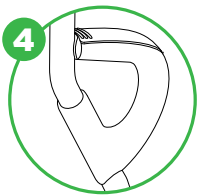
Compatible with the Buckingham Caddy for easy transportation of possessions.



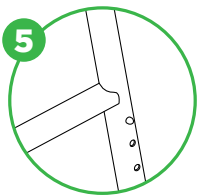
Available in two sizes, featuring 100mm height adjustments and 80mm width adjustments to suit a wide range of users.



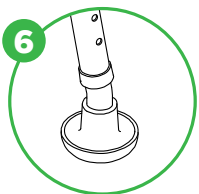
The Walk Safe® has cushioned upper handles to improve grip and comfort.



Lower handles provide extra support to help the user stand up from a chair or bed.



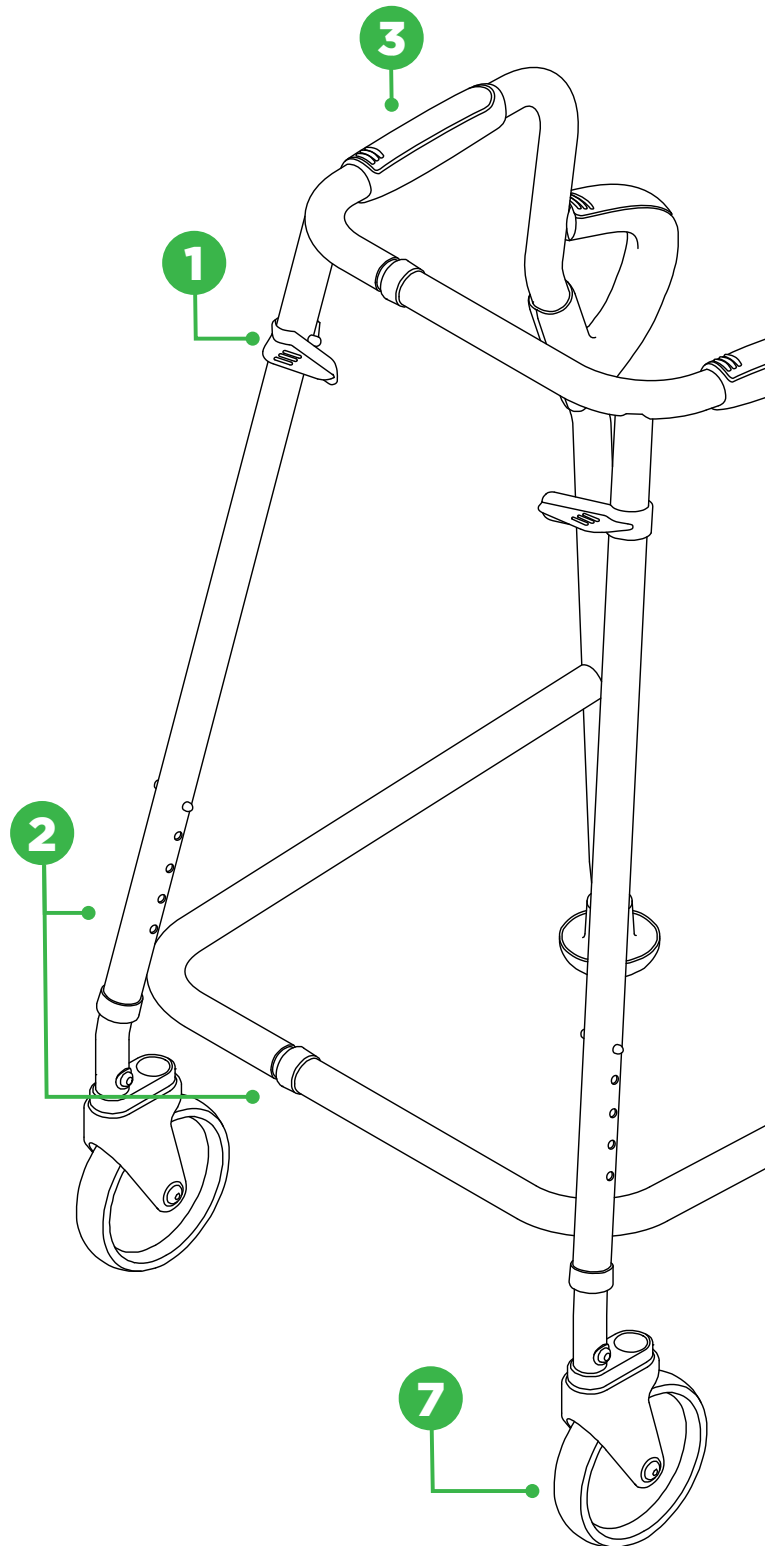
Fully welded frame supports user's up to 160kg, with high strength alloy tubing for durability and re-use.

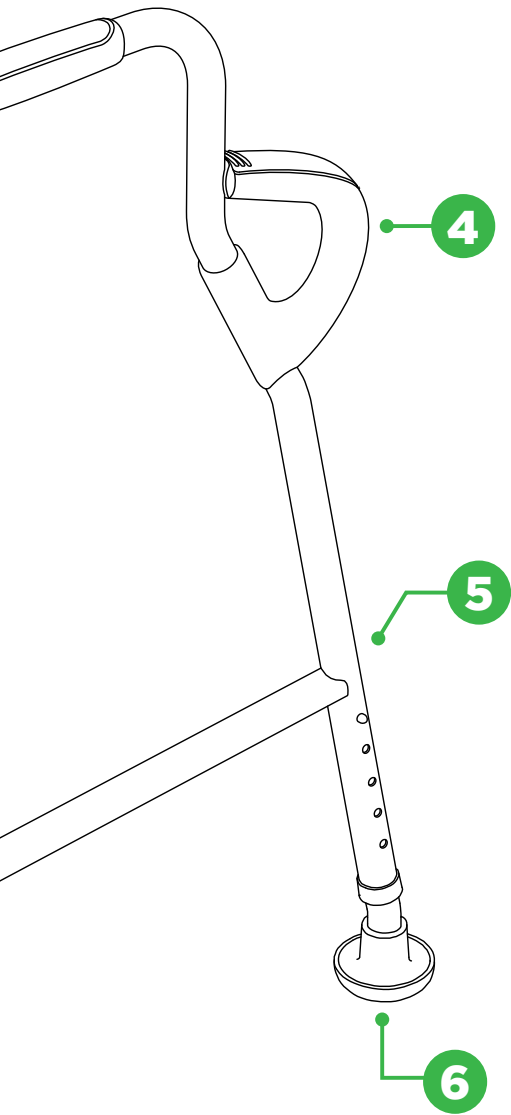


Combined rear brake and glide allow the user to move easily over any surface and stop safely when needed.



Swivel 125mm castors with Magnetic Directional Bias* which allows the user to turn without lifting the frame, whilst maintaining straight line stability.





**NRS Healthcare
have been
manufacturing
innovative
rehabilitation
products for over
70 years**

“

It feels safe & secure

“

The definite advantage I can see are the wheels – the ease of getting over the threshold from one surface to another

“

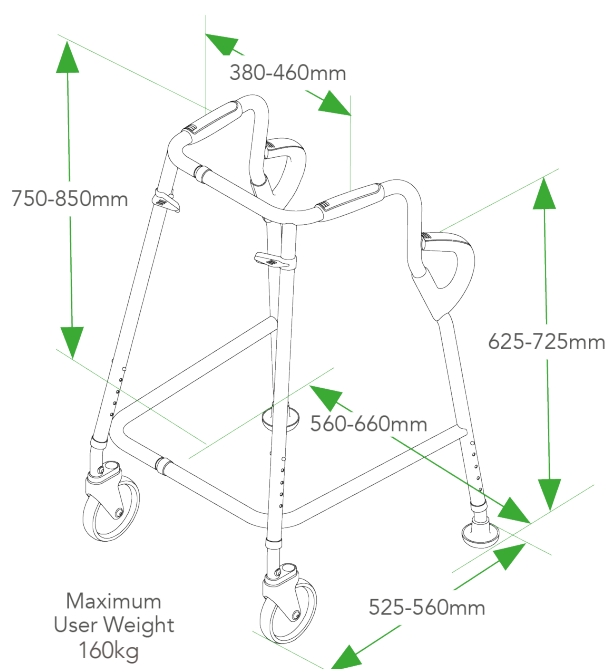
Turning is definitely better with the new frame – it is so smooth and very easy to move

“

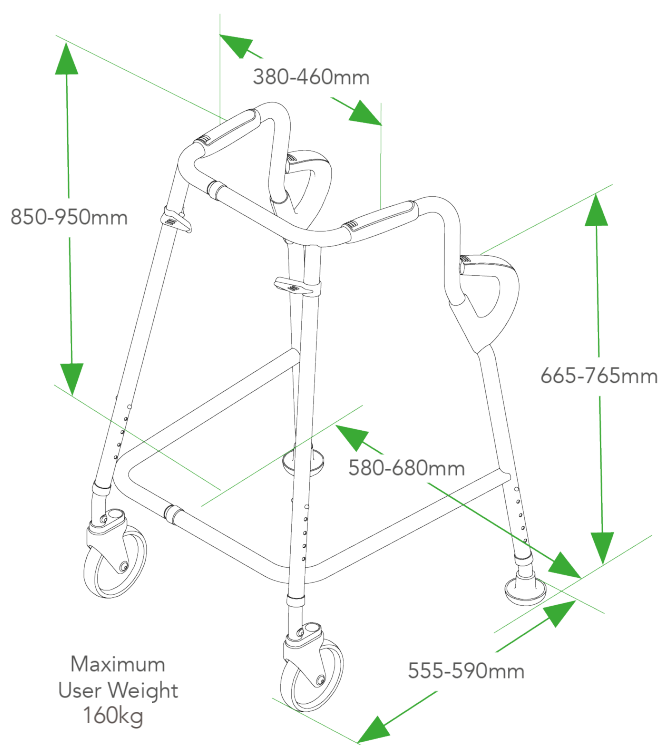
It helps me stand & gives me a stronger base of support



Measurements & Specification



Medium S58115



Large S58139



Technical Information

- For Indoor Use Only



- Class 1 Medical Device
- This product complies with the following standards:
 - ISO 11199-1:2021 Assistive products for walking manipulated by both arms - Requirements and test methods. Part 1: Walking Frames.
 - ISO 24415-1:2009 Tips for assistive products for walking - Requirements and test methods. Part 1 Friction of tips.

Technical queries?

Please contact our customer service team:

Telephone +44 (0)345 120 7778

Email customerservice@nrshealthcare.co.uk

Find Us

To learn more about NRS Healthcare visit nrshealthcare.com

Walk Safe[®]
by NRS Healthcare