

# USER INSTRUCTIONS

## EASYFIT PLUS BED RAIL MK2

P63991 EasyFit Plus Bed Rail MK2 - Standard

P64004 EasyFit Plus Bed Rail MK2 - Tall

### ⚠ General Safety Warning ⚠

Please make sure that you read and follow these instructions carefully. Keep these instructions in a safe place for future reference.

### Maximum User Weight



## 1. INTENDED USE

To provide stable support to aid adult users (taller than 1.46 m) transfer in and out of bed, moving from a lying to a sitting position as well as assist user repositioning. Designed for use with most types of domestic beds including; divans with feet / castors, framed slatted beds and electric profiling beds.



**ALWAYS** make sure that the mattress is as close as possible to the bed rail. Any gap could allow the client to become wedged in-between.

**DO NOT** use on electrically height adjustable beds unless the height adjustment function has been disabled, as this could damage the bed rail and / or the bed frame when operated.

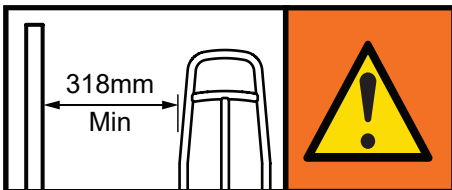
**ALWAYS** make sure the bed rail is firmly clamped to the bed frame. Check regularly to ensure the bed rail is securely clamped.

**ALWAYS** detach the handrail from the base before carrying or storing the product.

## 3. UNPACKING

Remove the packaging and check all parts carefully. Contact your supplier immediately if parts are missing or damaged and do not try and assemble.

## 2. SAFETY



**WARNING:** To avoid possible entrapment, you must always position the product a minimum of 318 mm from the headboard or footboard.

**WARNING:** To prevent additional entrapment hazards, we recommend that you install the product at least 318 mm away from any adjacent bedside furniture. Where this is not possible, the prescriber must do a risk analysis.

**WARNING:** To prevent hand entrapment do not hold the grab rail when altering the profile of the bed.

**WARNING:** The maximum user weight must not be more than 160 kg (25 st).

**YOU MUST** carry out a risk assessment to assess the use and suitability of the bed rail in relation to the users physical and cognitive ability, as well as the surrounding environment.

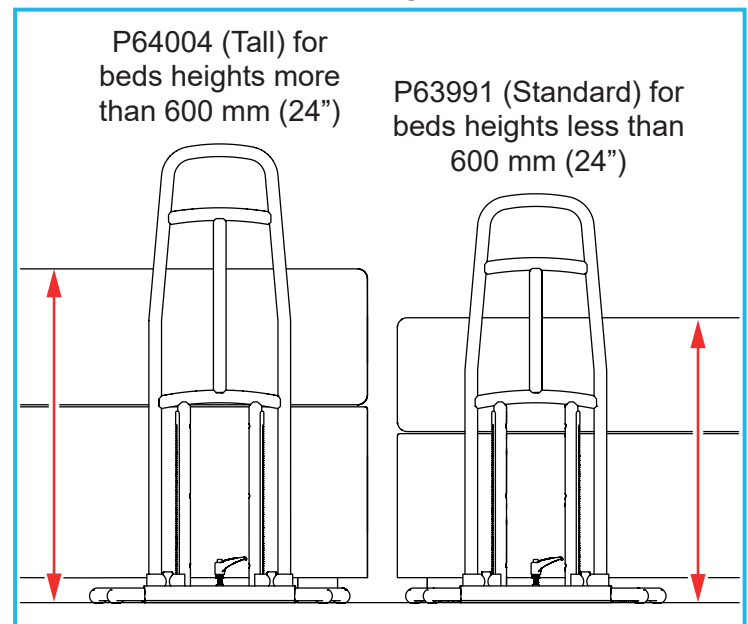
**DO NOT** install this product to a damaged bed.

**ALWAYS** check the profiling operation of the bed with the grab rail already fixed in position, for any potential risks prior to use.

### 3.1 Contents:

1. Base Frame x 1
2. Handrail Assembly x 1

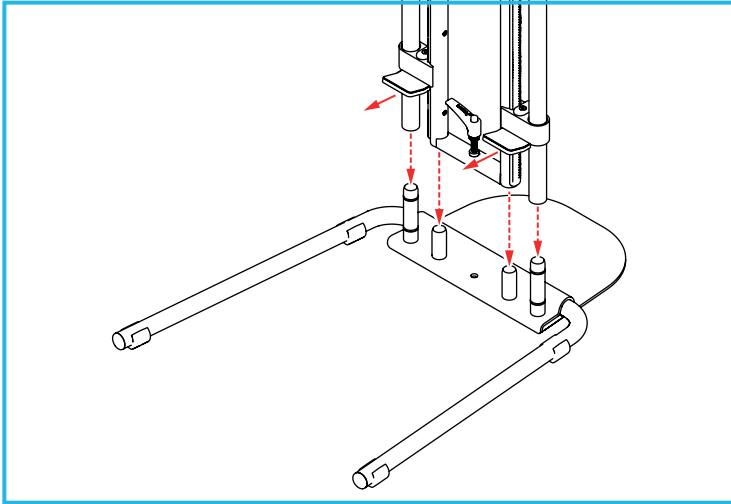
### Recommended Bed Rail Heights



NRS recommends fitting the standard bed rail (P63991) on beds with a mattress height up to 600 mm; for higher beds, the tall bed rail (P64004) should be used.

## 4. HANDRAIL ASSEMBLY

### 4.1 Fit the Handrail Assembly to the Base:

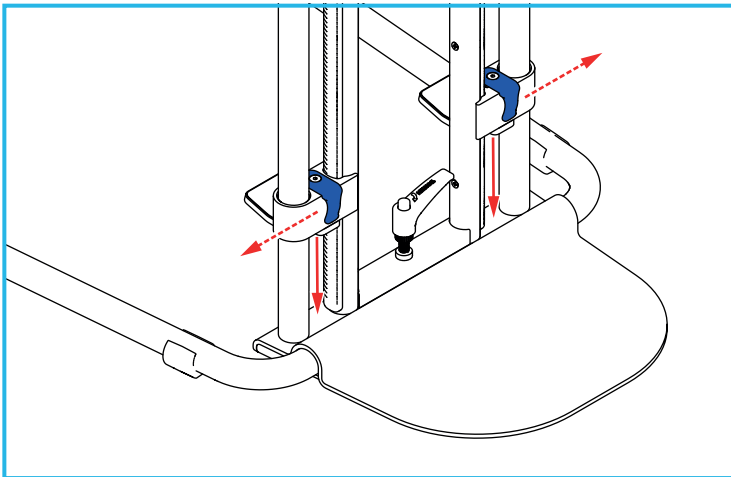


**Note:** Make sure the bed clamp plates point in the direction shown.

Slot the handrail assembly onto the 4 base pins. Push the handrail down until it makes contact with the base.

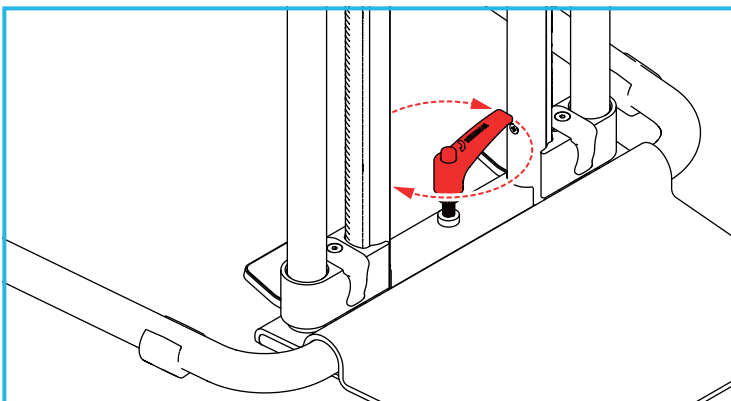
## 5. PREPARE BED RAIL FOR INSTALLATION

### 5.1 Lower the Ratchet Clamps



Slide the blue clamp levers outwards to unlock the ratchet clamps. While holding the clamp levers open, slide the ratchet clamps down until they make contact with the base.

### 5.2 Lower the Tightening Lever



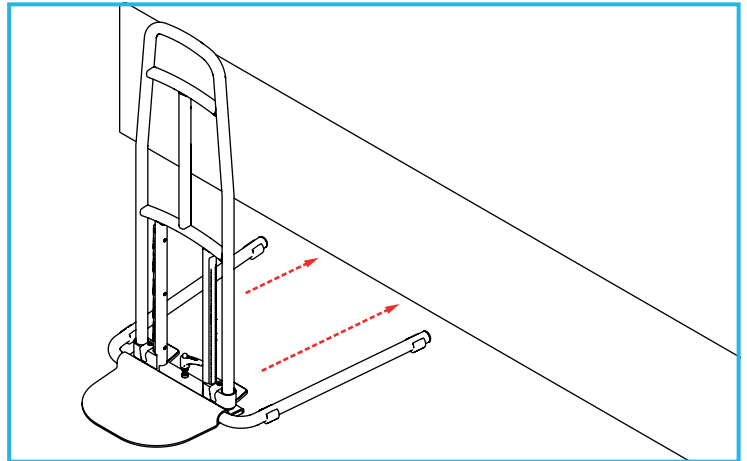
Turn the tightening lever clockwise until you start to feel slight tension. Do not over tighten as this will start to lift the handrail assembly off the base frame.

## 6. FITTING TO THE BED

Make sure that the floor surface is level and even.

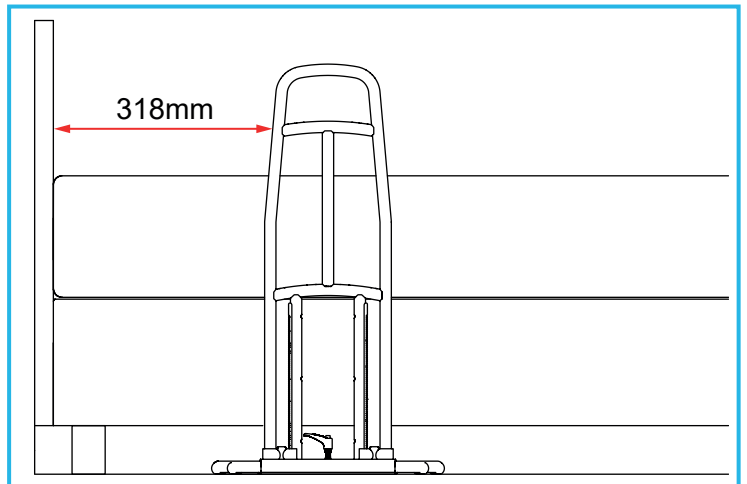
The bed base must be at least 30 mm above the floor and clear of obstructions.

### 6.1 Slide the Bed Rail Under the Bed



Slide the bed rail under the bed, in an approximate position, until the handrail contacts the bed.

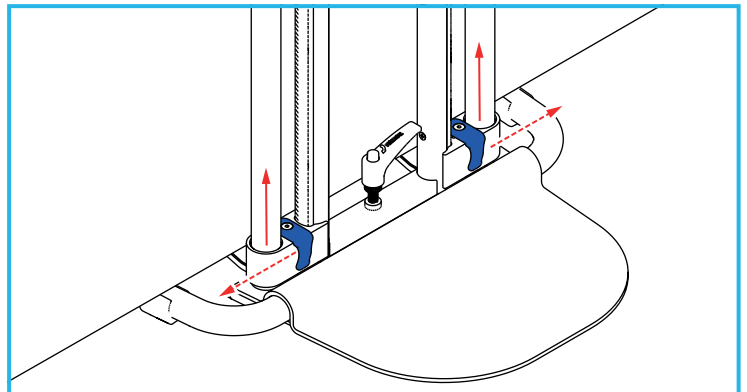
### 6.2 Position the Bed Rail

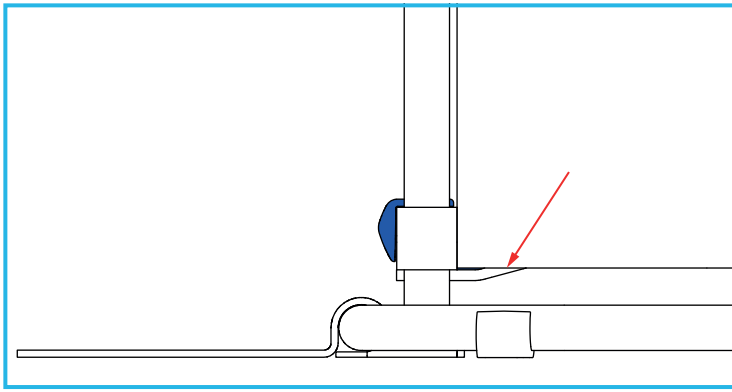


Position the bed rail so the user can reach the handrail from a laying position without having to stretch.

**WARNING:** To avoid possible entrapment, you must always position the product a minimum of 318 mm from the headboard or footboard.

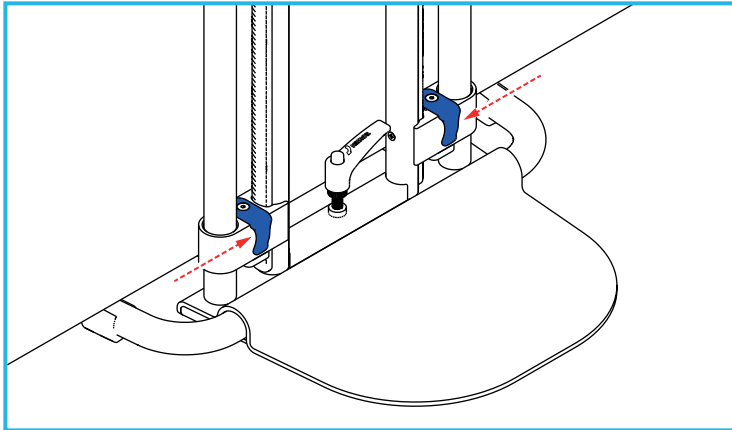
### 6.3 Clamp the Bed Rail to the Bed





Slide the blue clamp levers outwards to unlock the ratchet clamps. While holding the clamp levers open, slide the ratchet clamps up until the clamp plates make contact with the bottom of the bed frame.

#### 6.4 Lock the Clamps

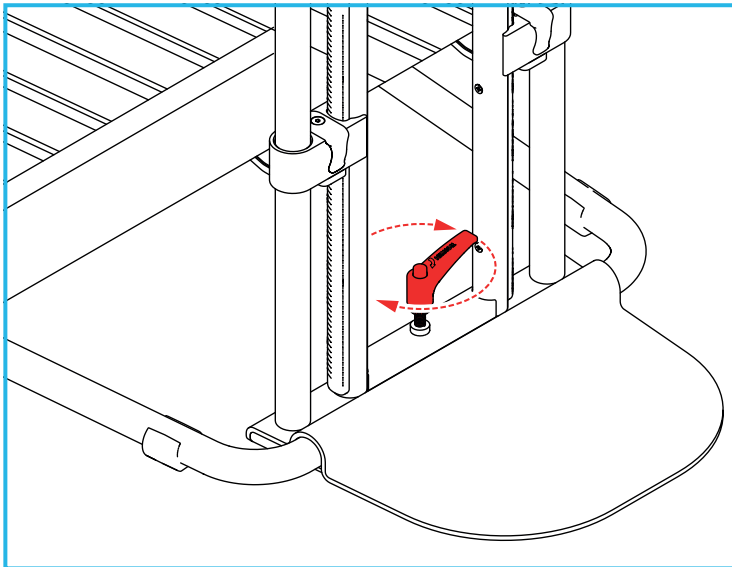


Release the blue ratchet clamp lever to lock the clamps in place.

### 7. USING THE TIGHTENING LEVER

Before use, the bed rail must be fully secured using the tightening lever. The tightening lever operation is different depending on the type of bed you have.

#### 7.1 Slatted Bed Frame Tightening



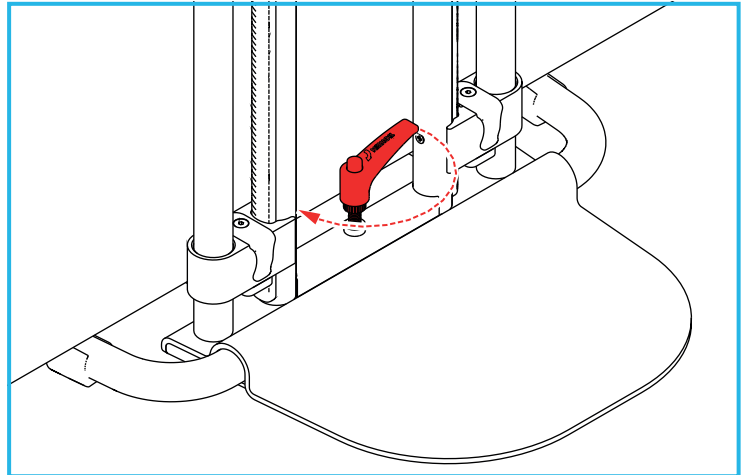
Turn the tightening lever clockwise until you start to feel tension and the bed rail feels secure.

**Note:** Lightweight beds may raise off the floor when tightening the tightening lever. If this happens, slacken the lever until all four corners of the bed are in contact with the ground.

#### 7.2 Divan and Low Bed Frame Tightening

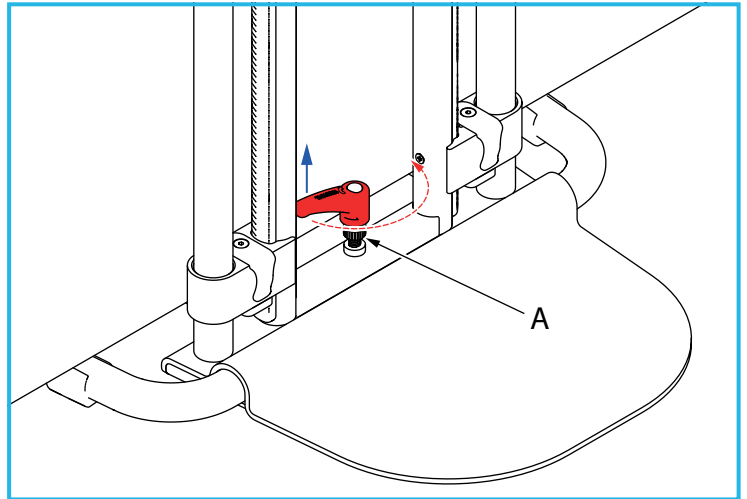
Full turns of the tightening lever may not be possible on some divan and low frame beds. Use the following steps to adjust the bed rail;

##### Step 1



Rotate the tightening lever clockwise by half a turn.

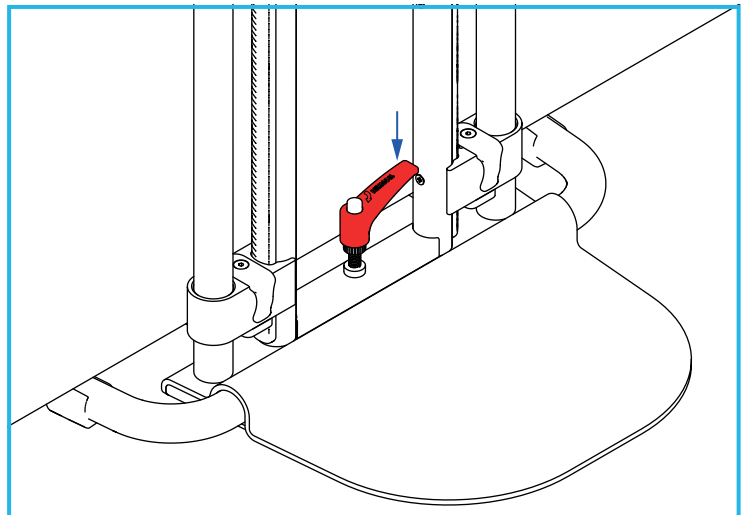
##### Step 2



Lift the tightening lever to disengage it from the thread. While holding the lever up, rotate it anti-clockwise by half a turn.

**Note:** You may need to hold the threaded part (A) to stop it rotating with the lever.

##### Step 3



Release the tightening lever, this will re-engage the thread.

Repeat steps 1, 2 and 3 until you start to feel tension and the bed rail feels secure.

It is recommended that the bed rail is checked at monthly intervals, to make sure it is securely fixed to the bed.

If the bed rail has become loose, it must be re-secured using the correct tightening lever method for your bed type.

**Note:** If the bed rail cannot be re-tightened sufficiently, it must be removed and reinstalled.

## 8. REMOVING THE BED RAIL

The bed rail can be removed by turning the tightening lever anti-clockwise a few turns until the bottom of the handrail touches the base plate. Then release the 2 ratchet clamps.

## 9. CLEANING

Clean regularly using a general purpose, neutral detergent and warm water.

Please check the suitability of the cleaning product before use. Do not use abrasive cleaners or cloths as these could permanently damage the surface and invalidate any warranty.

To disinfect, wipe with a dilute bleach solution, and rinse thoroughly with fresh water.

This product is suitable for thermal decontamination and can be steam cleaned or autoclaved on cleaning cycles up to 80°C.

Allow product to fully dry prior to use/storage.

## 10. MAINTENANCE

Inspect the product at regular intervals and before re-use for signs of general wear or damage.

Any suspected faults or damage should be reported to the supplier immediately and the product taken out of use.

## 11. ACCESSORIES & SPARE PARTS

### **P64016:** Spare Ratchet Clamp Kit

1. LH and RH Ratchet Clamp Assembly (Pair)
2. Ratchet Rack x 2
3. Ratchet Rack Screws x 6

### **P11863:** Spare Parts Kit

1. Rubber Pads for Clamp Assembly x 4
2. Base Feet x 4
3. Base Tube End Caps x 2
4. Tightening lever x 1
5. Base Pin 'O' rings x 4

For more details please visit our website or call Customer Services.

## 12. PRODUCT DISPOSAL

This product must be thoroughly cleaned/sterilised prior to disposal.

This product is manufactured from metal & plastic and can be disposed of through Local Authority Household Waste and Recycling Centres or through Local Trade Waste Collectors.

## 13. PRODUCT GUARANTEE

NRS Healthcare guarantee this product for a period of 24 months, from the date of purchase, against faulty materials and workmanship.

This guarantee does not cover abuse, interference or tampering with any part of the products. Issues arising from fair wear & tear and customer misuse are not covered.

This guarantee covers domestic use only. If the product is used in commercial or semi-commercial settings such as care homes, schools, rental or communal accommodation etc, the guarantee is valid for one year only. Consumable parts are also guaranteed for one year only.

Any guarantee issued by NRS Healthcare does not affect your statutory rights.

If you have any problems with our products, please contact us at the address below.

If you have experienced an injury, contact us but feel free to contact the Medicines and Healthcare products Regulatory Agency at:

[devices.regulatory@mhra.gov.uk](mailto:devices.regulatory@mhra.gov.uk)



**NRS HEALTHCARE** Sherwood House,  
Cartwright Way, Forest Business Park, Bardon  
Hill, Coalville, Leicestershire, LE67 1UB, UK.



**NRS HEALTHCARE** 4C Altona Road, Blaris  
Industrial Estate, Lisburn, Co Antrim,  
Northern Ireland BT27 5QB

Tel: Customer Services: +44 (0)345 121 8111

Email: [customerservice@nrshealthcare.co.uk](mailto:customerservice@nrshealthcare.co.uk)

**NRS Healthcare** is a leading supplier of community equipment and daily living aids.

Please visit one of our websites to view our full range of products:

[www.healthcarepro.co.uk](http://www.healthcarepro.co.uk) or [www.completecareshop.co.uk](http://www.completecareshop.co.uk)