



electron
product spotlight

Motion



Exceptionally light & compact

Advanced magnesium design

The Electron is built for effortless independence wherever life takes you. Its ultra-light magnesium frame keeps carry weight incredibly low, making lifting, handling and everyday transport simple and manageable.

Folding down into an exceptionally compact size, the Electron fits easily into car boots, storage spaces, or travel environments. Dual airline-friendly lithium batteries provide dependable range for longer days out, while intuitive controls and a built-in attendant joystick ensure complete confidence for both user and carer. Lightweight, compact, and ready for anything, the Electron makes every journey easier.



20 miles
Range (Up to)



11.7 kg
Carry Weight



18.9 st.
Max. User Weight

See the full list of specifications on Page 6



Ultra-light magnesium frame

Crafted from advanced magnesium, the Electron achieves an incredibly low carry weight without compromising strength or durability. It's easy to lift, transport and handle in everyday situations.



Exceptionally compact folding

Folding quickly into a very small footprint, the Electron is easy to store at home or fit into a car boot. Its compact design makes it ideal for travel, holidays, and everyday convenience.



Attendant control included as standard

A built-in attendant joystick allows a carer or companion to take control whenever needed. Hard-wired directly into the chair, it provides reliable, instant control without needing to be attached or paired.



Dual lithium batteries for extended travel

Supplied with two airline-friendly lithium batteries, the Electron delivers excellent range and flexibility. Use one or both depending on your journey, or carry a spare for added peace of mind.



Travel bag for easy transport

A dedicated travel bag with handles and shoulder strap makes carrying and transporting the Electron even easier. It keeps everything protected and ready for journeys near or far.



Smooth, intuitive joystick control

The responsive joystick makes manoeuvring simple and precise, whether indoors or outdoors. Easy to use and comfortable in hand, it gives you full confidence wherever you go.



Specifications

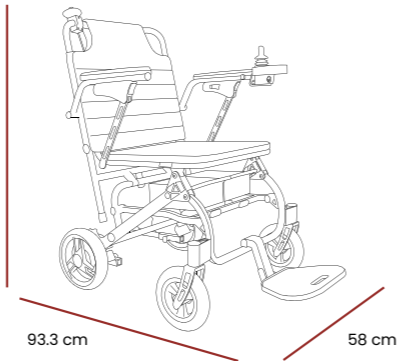
Available in



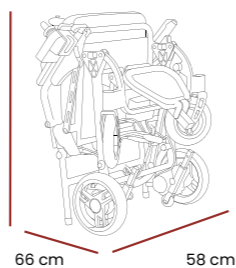
Range (Up to)*	20 miles
Top Speed	4 mph
Max. User Weight	18.9 stone
Front Wheel Size	17.78 cm (7")
Rear Wheel Size	20.32 cm (8")
Battery	2x 25.2v 10.2ah Lithium
Battery Watt Hours	257.04 Wh
Battery Weight (each)	1.785 kg
Motor	2x 180w
Carry Weight	11.7 kg
Total Weight	16.2 kg
Seat Width	40.5 cm
Ground Clearance	4 cm
Max. Gradient	12°
Turning Radius	81.2 cm

*Range is calculated in specific testing conditions, range may vary depending on factors, not limited to; battery condition, weather/temperature, terrain, user weight

89.5 cm



30 cm



↑ Not to scale

Scan for more information





Motion

motionhealthcare.co.uk
0844 257 8150

 Motability
Scheme

 APPROVED CODE
The Access to Work Code

 BHTA