



User Manual of Carbon Fold Down Rollator



User Guide

Carbon Fold Down Rollator

1. General Information

This user manual contains a description of the medical device and important guidelines to ensure the correct and safe use of the product. It is important to read this manual carefully prior to use. It is especially important to read the safety requirements and follow them.

If you have any queries, please contact your dealer or R Healthcare directly. We continuously develop our products and reserve the right to change specifications and functions without notice.

2. Safety First: Usage & Warnings

Intended Use

The rollator has been designed as a tool to assist walking for people who have mobility problems, for example with standing, walking, or sitting independently. It helps users to stand, walk, and rest easily, allowing them to fulfil most of their daily tasks and routines without assistance from others. Any other usage is prohibited.

Indications for Use

The device is specifically designed for individuals who require additional stable support during walking.

Contraindications

The device must not be used by users who have serious problems with body balance or whose muscle strength is too low to be able to stand and walk, even with the extra support of a rollator. The need for and use of a rollator should always be assessed and indicated by a doctor or physiotherapist.

Load Limitations & Usage Rules

- **Seat:** Do not load with more than 150 kg.
- **Push Handles:** Do not load with more than 150 kg.
- **Shopping Bag:** The load limit is 5 kg.
- **Surface:** The device is designed for use on flat surfaces, both indoors and outdoors.
- **Seated Propulsion:** The device is not intended to be self-propelled while seated.
- **Brakes:** The brakes **MUST** be in the locked position **BEFORE** using the seat.

Avoiding Accidents

- Only use the device for its intended purpose and ensure it is in good technical condition.
- Do not make constructive changes to the device without written acceptance from the manufacturer.
- **Pinch Point Warning:** Be careful when adjusting the device. To avoid trapping fingers or other body parts, be aware of the gaps between moving elements during folding, unfolding, or adjusting.
- The device must only be used on a stable surface.
- All wheels **MUST** be in contact with the floor at **ALL TIMES** during use to ensure proper balance.
- When using the rollator in a stationary position, the hand brakes **MUST** be locked.

3. Product Overview & What's in the Box

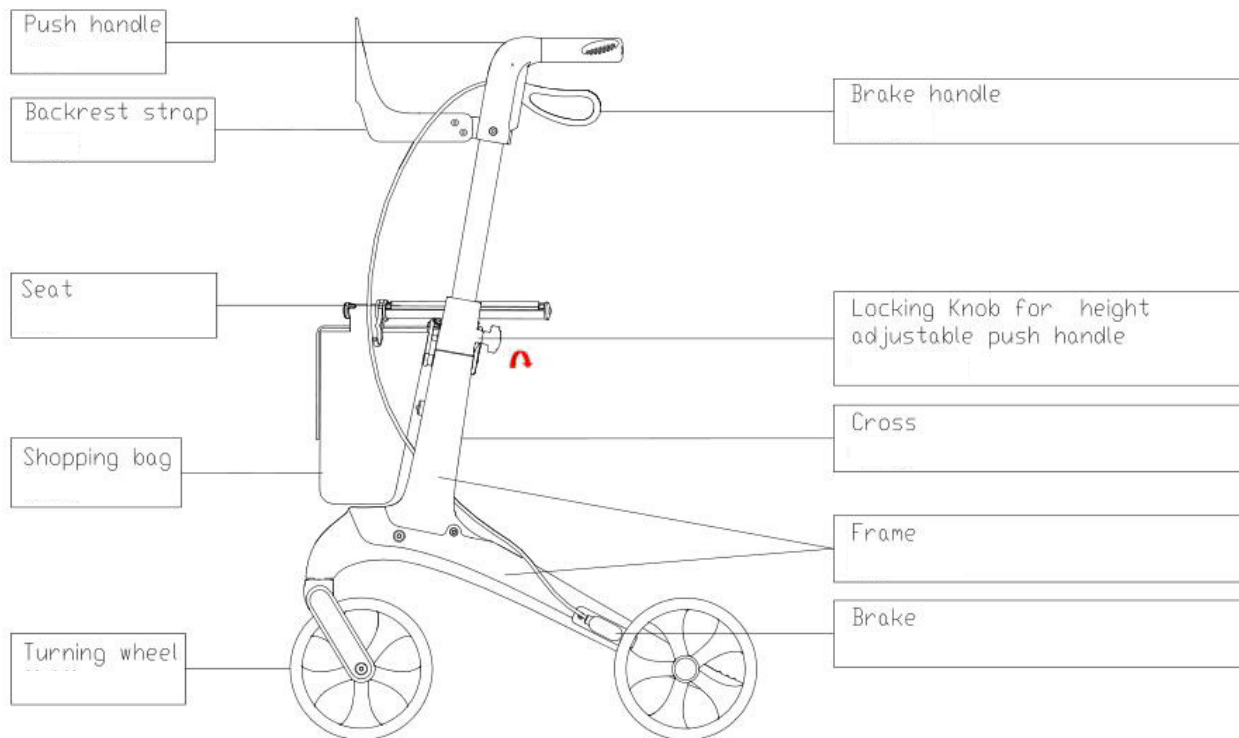
Delivery & Contents

The rollators are supplied folded in a box for easier transportation. The contents include:

- One complete folded rollator with seat and basket
- One user manual

Product Description

The rollator has four wheels and is made of seamless tube, making it light and easy to store or transport. It offers great manoeuvrability and stability. The push handles are height-adjustable for a good user fit. It is also equipped with a seat and a shopping bag, which allows the user to rest and to carry small items.



4. Assembly and Adjustment

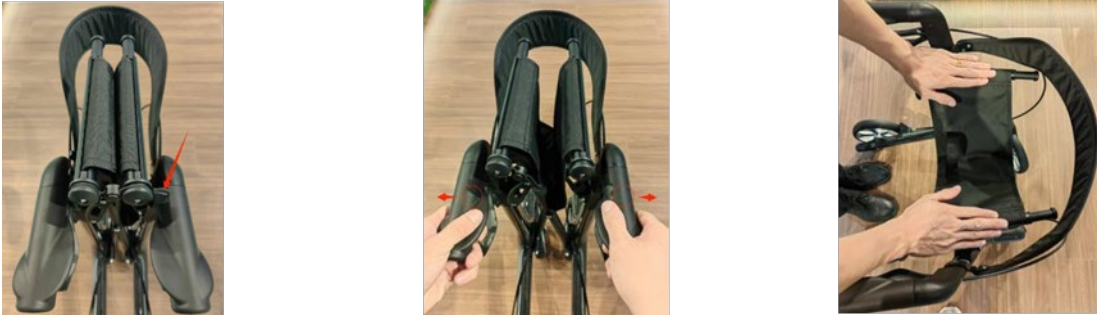
Initial Check

First, take the device out of the box and check that nothing is missing or damaged. If you discover an issue, do not continue to assemble the product. Contact your supplier right away.

Opening the Rollator

1. Unfold the elastic band from the folding lock.
2. Grasp the handles with both hands and pull them apart to the sides.
3. Press down on the seat cushion support tubes on both sides until you hear the mechanism "click" into its locked position.

IMPORTANT: After unfolding, always ensure the seat support is securely locked and the frame does not move.



Folding the Rollator

1. Adjust the support rods on both sides to the lowest gear position.
2. Pull the folding lock belt located in the middle of the seat cushion upwards until the left and right frames are completely folded together.
3. Secure the folded frame using the elastic band.



Adjusting the Push Handle Height

1. Release the handle locking knob.
2. Adjust the handle to your desired height. The correct height is typically level with the user's hips.
3. Ensure both push handles are adjusted to the same height.
4. Always ensure the locking button is securely engaged to prevent the handle tubes from sliding down when forced.



5. How to Use Your Rollator



Using the Hand Brakes

- **To Slow/Stop:** Simply pull the brake handles up towards the hand grips.
- **To Move:** Release the brake handles. They will drop down automatically, and the brakes will be released.

Locking & Unlocking the Brakes (Parking Brake)

- **To Lock:** Push the brake handles down until you hear them "click" into place.
- **To Unlock:** Pull the brake handles up until you feel them loosen.



REMINDER: When using the rollator in a stationary position (e.g., before sitting down), the hand brakes **MUST** always be locked.

Assembly of the rollator

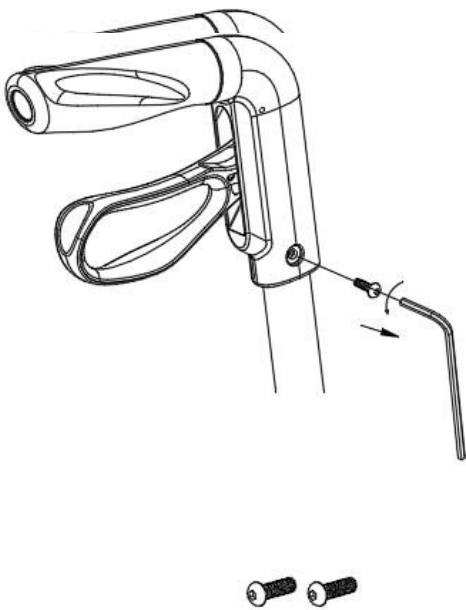
①



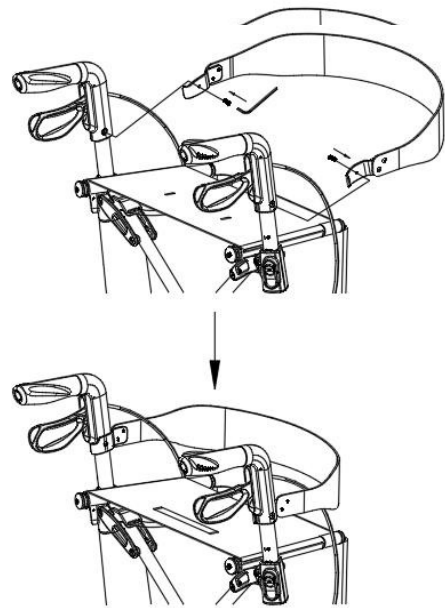
②



③



④



Safe Use Reminders

- Never leave the device on a slope without the brakes engaged.
- Never leave the device unattended without the brakes engaged, especially if someone is sitting in it.
- When seated, always sit straight up with your forearms or hands lightly resting on the push handles.
- **Never lean backwards when seated on the rollator.**

6. Care, Cleaning, and Maintenance

Cleaning

- **General:** Clean the device regularly. Lighter dirt and dust can be removed with a wet cloth. Larger amounts of dirt can be removed with a non-corrosive, mild washing agent and warm water. Do not use harsh abrasives or bleach-based cleaners. Dry all parts with a soft cloth after cleaning.
- **Wheels:** Clean wheels with warm water and a mild cleanser. Dry with a clean rag. Lubricate with multi-purpose oil periodically or if the wheels begin to squeak.

Maintenance

- Ensure every part of the rollator is secure at all times.
- Check all screws for tightness and tighten if necessary.
- Replace any broken, damaged, or worn items immediately.

Reuse

The walker is suitable for reuse. Before it is passed on to another user, it must be inspected by a specialist dealer, checking the following:

- Visual inspection of the frame
- Secure seating of nuts and bolts
- Condition of plastic elements, wheels, and ball bearings
- Effectiveness and condition of the brakes
- If a part is damaged, it must be replaced. All loose bolts and nuts must be tightened. The product must be thoroughly cleaned and disinfected prior to reuse.
- **WARNING!** It is forbidden to re-use the rollator if the frame is bent or broken.

7. Technical Specifications

Technical Data	Value
Max. User Load	150 kg
Max. Load of Bag	5 kg
Total Weight (w/o bag)	5.5 kg
Shopping Bag Weight	0.6 kg
Length	65 cm
Total Height Folded	84 cm
Width (Opened)	63 cm
Width (Folded)	22 cm
Seat Width	47 cm
Hand Grip Height	76 – 99 cm (adjustable)
Seat Height	62 cm
Brakes	2 x maneuver brakes with parking function
Wheels (Front & Rear)	200 x 36 mm – Black PA+15%GF+TPR SOFT surface tyre

8. Transport, Disposal & Warranty

Transport

The rollator is easily foldable for convenient transportation. When transporting, ensure it is stable and there is no risk of sudden or dangerous movements.

Disposal

The device should not be disposed of with normal garbage. It should be delivered to a designated disposal station for reuse or recycling.

Warranty

The manufacturer offers a 2-year guarantee for errors in production. The guarantee is not valid for misuse of the product. Wheels will experience natural wear and tear; the warranty period for the wheels is 1 year.

Contact Information

R Healthcare, Unit 25 Whistleberry Park, Hamilton, ML3 0ED

Email sales@rhealthcare.co.uk