



TRAVELUX



User Manual

Travelux Supernova

BEFORE USE YOUR NEW SUPERNOVA SCOOTER YOU AND / OR YOUR ATTENDANT MUST READ AND FULLY UNDERSTAND THIS MANUAL.

General information

You have just purchased a Van Os Medical UK Ltd. scooter and we want to thank you for the confidence in our Excel® products. The scooter is a quality product.

The policy of Van Os Medical UK Ltd. is to continually improve the quality and reliability of our products. We reserve the right, therefore, without prior notification, to alter this guide.

It is important that your guide for the use is read carefully. The manual contains important information about the safe use and maintenance of your scooter. We recommend that you keep this guide, it's also your proof of warranty and you will find it useful for referring to at a later date.

The safety instructions in this guide are general guidelines that must be seen as broad guidelines.

Your new scooter requires frequent maintenance, much of which you can do yourself. We want you to take your scooter once a year to be inspected by a professional.

Caution!

In this guide you will find informative comments, recommendations and warnings. These are clearly identified by the below symbols and the appearance of the text.



Tip

Information.



Warning:

To avoid personal injury, warnings must be followed.



Fill out the information on your authorized dealer below:

Company:

Address:

.....

Telephone number:

Fax number:

Email address:

Website:

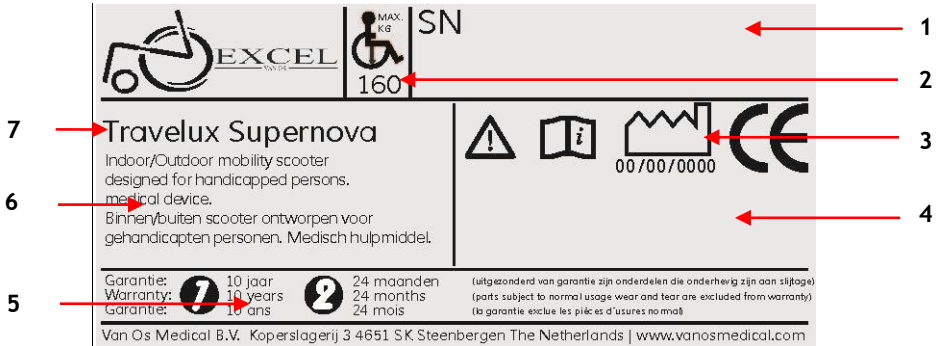


1	IDENTIFICATION	4
2	GENERAL EXPLANATION CONCERNING YOUR SCOOTER.....	5
	2.1 COMPONENTS OF THE SCOOTER.....	5
	2.2 GENERAL EXPLANATION OF THE FUNCTION AND POSSIBILITIES OF YOUR SCOOTER	6
3	SAFETY REGULATIONS	6
	3.1 GENERAL SAFETY REGULATIONS	6
	3.2 WARNINGS FOR SAFE USE	6
4	INSTRUCTIONS FOR USE	7
	4.1 CONTROL UNITS.....	8
	4.2 GETTING ON AND OFF YOUR SCOOTER	9
	4.3 CHARGING BATTERIES.....	10
	4.4 BEFORE DRIVING	11
	4.5 BASIC DRIVING	13
	4.6 STEERING	13
	4.7 CONTROL THROUGH TIGHT SPOTS.....	14
	4.8 GOING UP AN INCLINE / DOWN A DECLINE	15
	4.9 EMI / RFI.....	16
5	INSTRUCTIONS FOR USE AND MOUNTING OPTIONS	18
	5.1 TECHNICAL INFORMATION (WITH CAPATAIN SEAT).....	18
	5.2 ARMREST ADJUSTMENTS	19
	5.3 SEAT ADJUSTMENTS	20
	5.4 TILLER	21
	5.5 DISASSEMBLE.....	21
	5.6 ASSEMBLY	24
6	TRANSPORTING YOUR SCOOTER.....	25
7	CARE AND MAINTAINANCE.....	25
8	PROBLEM ANALYSIS AND SOLUTIONS.....	27
9	WARRANTY	28
	9.1 WARRANTY APPLICATION	28
	9.2 WARRANTY CONDITIONS.....	29
10	GENERAL MAINTENANCE INSTRUCTIONS	30



1 IDENTIFICATION

Your Travelux Supernova scooter is equipped with a unique serial number. You can find this number on the frame of your scooter. Below is an example of the frame label on which you can find the identification number. Furthermore you will find the explanation of the various data stored on the frame label listed below.



- | | |
|-------------------------------|---------------------------------------------------------------------------------------------------------------------------------------------|
| 1. Serial number | Every scooter has its own unique serial number. You must have this number when making technical requests or if warranty parts are required. |
| 2. Maximum user weight | The largest occupant weight allowed for protection of both the scooter and the user. |
| 3. Production date | The date on which your scooter was manufactured. |
| 4. Type number | This number indicates which model of scooter you have, again this is always required when making technical calls. |
| 5. Warranty | Here the guarantee period of your wheelchair is reflected. Chapter 9 describes your warranty terms and conditions in more detail. |
| 6. Description | Description of the design of your scooter. |
| 7. Model name | The model name of your scooter. |

2 GENERAL EXPLANATION CONCERNING YOUR SCOOTER

2.1 Components of the scooter



1	Tiller	10	Rear fender
2	Foldable basket	11	Battery pack
3	Front light	12	Seat post
4	Front bumper	13	Seating
5	Spring	14	Backrest
6	Front wheel	15	Armrest
7	Rim	16	Throttle lever
8	Footplate	17	Control panel
9	Rear wheel	18	Headrest

Your scooter is equipped with a number of elements and parts. You should know these before continue reading this manual. Designs and specifications may change without prior notice.

2.2 General explanation of the function and possibilities of your scooter

Your scooter is equipment with multifunctional brakes and stable wheels who role easy. The scooter is designed to be adjusted to the user. Your scooter is a medical product, not a standard users product. It is important that your guide for the use is read carefully for optimal use of your scooter.

3 SAFETY REGULATIONS

Van Os Medical UK Ltd. specifically disclaims responsibility for any body injury or property damage which may occur during any use which does not comply with laws or ordinances. If used correctly, the Travelux supernova scooter is an utmost safe and stable product, if the instructions for use as described in this manual are followed. However, it is possible when the Travelux scooter is not used correctly, dangerous situations may occur.

3.1 General safety regulations

Protect your Travelux Supernova scooter by checking it regularly. When a part of your Travelux scooter is not functioning properly, a dangerous situating could occur.

ⓘ Warning:

You must your keep scooter in a good state to be able guarantee use and ambulatory the security in.

3.2 Warnings for safe use

ⓘ Warnings:

- ➔ Failure to follow all the instructions in this manual may result in damage to the scooter or serious injury;
- ➔ Always operate your scooter with thought, care and safety;
- ➔ Do not drive into curbs;
- ➔ Never connect anything to the wheels;
- ➔ The maximum weight capacity has been indicated on your scooter frame label;
- ➔ Unauthorized modification and or use of parts not supplied by Travelux will invalidate the warranty of this scooter and may lead to injury to the user and or damage to the scooter;
- ➔ Before using your scooter, always check if the brakes are working perfectly;
- ➔ Do not let children play with or on your scooter;
- ➔ Do not turn your scooter suddenly at full speed;
- ➔ All wheels must be in contact with the floor at all times during use. This will ensure the scooter is properly balanced;



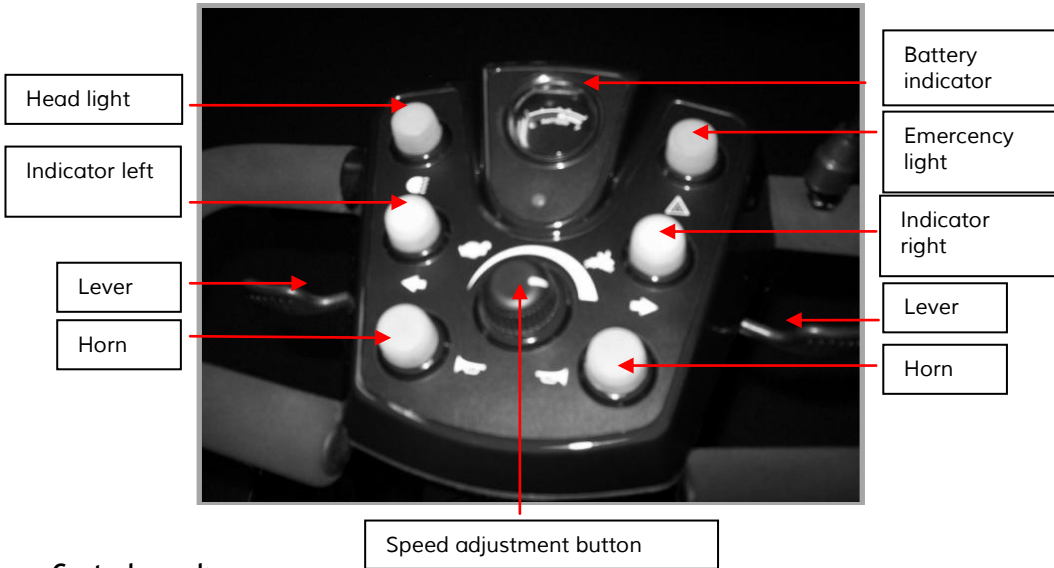
- Do not use your scooter when it is damaged or has any malfunction;
- Do not attempt to use your scooter on an escalator. Always use an elevator;
- Do not carry passengers under any circumstances;
- Do not mount or dismount your scooter unless the brake is engaged;
- Always make sure that the key switch is set to “Off” before mounting or dismounting your scooter;
- Do not drive backwards with your scooter on an incline or across an uneven surface;
- Always make sure the seat is locked forward before operating your scooter;
- Always come to a full stop before changing direction from forward to reverse or from reverse to forward;
- Do not operate your scooter where you could not safely or legally walk;
- Do not climb ramps or curbs that exceed your scooters capacity;
- Always approach inclines straight on;
- Always be aware of and careful near mechanical pinch points especially when assembling and disassembling your scooter;
- Never sit on your scooter when it is being transported;
- Always fasten down your scooter securely with an approved tie-down system while transporting your scooter;
- Always use caution when driving on soft or uneven surfaces such as grass and gravel. Also use caution on decks where there is no railing;
- Always cross streets at intersections and use crosswalks or the most direct route, making sure that your path is clear and that you are visible to motor traffic;
- Never back up or down a step or curb;
- Never drive your scooter up or down a step or curb that is higher than 3.5 cm;
- Never drive your scooter over a gap greater than 7.5 cm;
- Do not drive your scooter in icy or salted conditions;
- Never drive on the roadway, except when you have to cross the street;
- Never operate your scooter while you are under the influence of alcohol;
- Always check with your physician to determine if any of the medications you are taking may affect your judgment and/or your ability to operate your scooter. Also check with your physician concerning your physical ability to operate a scooter.

4 INSTRUCTIONS FOR USE

Your Travelux Supernova scooter is a battery working personnel mobility vehicle. Before you take your first trip, you should familiarize yourself well with the operation of the vehicle and with all operating elements. Take your time to test all functions and driving modes. To guarantee your and others safety.



4.1 Control units



Control panel:

Speed adjustment button

- ➔ With the speed adjustment button you can adjust the minimum and maximum speed;
- ➔ Turn the knob against the clock for lower speed;
- ➔ Turn the knob clock wise for a higher speed;
- ➔ We advise you to adjust your speed as high as you think is comfortable and you feel safe by it.

Horn

Press this button to horn.

Emergency light

When you press this button all the lights will flash. Press again to turn the lights off.

Lever forward and backwards

- ➔ Pull the right lever to drive forwards / push against the left lever;
- ➔ Pull the left lever to drive backwards / push against the right lever.

Brakes and throttle lever

When the throttle lever is in neutral position the electromagnetic brake will automatically release and your scooter will move. When the throttle lever is released it will return to the neutral position and the scooter will decelerate and come to a complete stop. The parking brake will prevent any further movement of your scooter.



Indicators

Always use the indicators when you change your direction.

ⓘ Warning:

Always use the indicators for the safety of yourself and others around you.

Head light

When you do not have enough vision while driving with the city lights on you can press this button to engage the head light. Press again to engage the city light.

Battery indicator

The battery indicator shows the voltage of the batteries:

- Green led light means that the batteries are fully loaded;
- Yellow led light means that the batteries are half loaded;
- Red led light means that the batteries are loaded less than the half. Batteries must be loaded.

4.2 Getting on and off your scooter

ⓘ Warning:

When getting on or off your scooter, keep your weight toward the middle of the deck. Putting most or all of your weight on the edge of the deck may cause an unstable condition!

Before getting on your scooter

- Check to be certain that the power is turned off. This will eliminate the possibility of accidentally activating the paddle controls and causing injury to yourself or to others;
- Check to be certain that your scooter's brake handle is in the engaged position;
- Flip up the armrests.

Getting on your scooter:

- Position the seat for safe and easy mounting;
- Return tiller to full upright position;
- Carefully place one foot on the approximate center of the deck and seat yourself comfortably and securely on the seat;
- Fasten the seatbelt, if your scooter is equipped with one;
- Flip down the armrests.



Getting off your scooter:

- Make certain that the power is turned off and the key is removed;
- Return tiller to full upright position;
- Flip up the armrests;
- Unfasten the seatbelt;
- Carefully place one foot on the ground, transfer your weight to that leg, and slowly come to a standing position;
- Step away from the scooter.

4.3 Charging batteries

ⓘ Warning:

Before using new batteries for the first time you should be charge them for 12 hours.

Batteries and charging

Your scooter is equipped with two maintenance free batteries. These batteries require no maintenance other than ensuring they are properly charged. Because your batteries may only have a partial charge when you first receive your scooter, you may not experience full riding time until you have fully charged them about 12 hours. Your scooter is equipped with an off-board charger. Charge your batteries of your scooter after every use for 6-8 hours to extend the maximum life of your batteries:

- We advise you to load your batteries 6-8 hours after every use of your scooter to guarantee a longer life;
- Turn off the power of the scooter;
- Slide away the cover of the battery socket at the driving position of the tiller and insert the battery charger in the socket, see photo 1;
- Put the charger into the outlet;
- Do not switch on the battery charger until all the plugs are in position;
- The led light of the battery will be amber while charging;
- The led light will turn green when the batteries are fully charged;
- If you are not going to use the scooter for more than a week, fully charge the batteries and then disconnect them from the scooter.

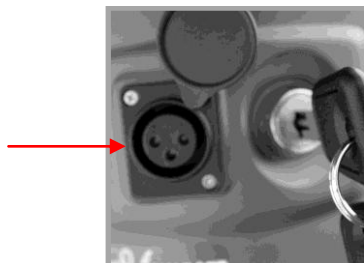


Photo 1

4.4 Before driving

Tip

For your first driving session, make certain that your scooter starts out on a level surface and that you will continue driving on a level surface.

Turning your scooter on and off

- Make sure that your scooter is in the drive position;
- Make sure your scooter is turned off when getting off of your scooter or disassembly your scooter, see photo 2;
- When you want to use your scooter, you should turn on the power of your scooter. You can do this by turning your contact key 90° to the left, see photo 3.

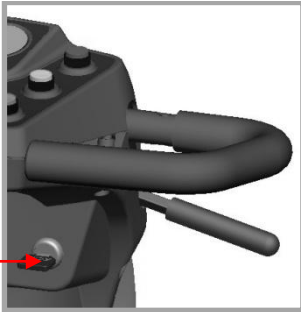


Photo 2

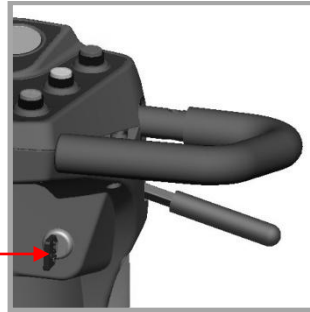


Photo 3

To get on your scooter:

- Stand behind your scooter;
- Put the scooter in the drive position;
- Make certain that the seat is positioned for safe and easy use;
- Seat yourself on the seat;
- Use the seat rotate lever to position the seat fully forwards and to lock the seat;
- Fasten your seat belt, if your scooter is equipped with one;
- Place the key into the key switch;
- Rotate the key 90° to the left to the on position (photo 3).



ⓘ Warning:

- Pushing the scooter too quickly into the freewheel position (photo 4) will cause the motor to act as a generator causing the scooter to become difficult to push;
- Never set your scooter in freewheel mode when it is on an incline;
- Never disengage the park brake while you are operating your scooter;
- Always make certain that your scooter park brake is engaged before inserting the key into the key switch and turning it to the on position.

Freewheel mode

Your scooter is equipped with a freewheel mode, see photo 4.

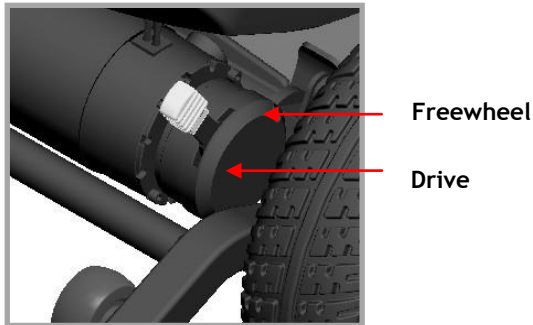


Photo 4

Freewheel mode

To disengage the park brake and put your scooter in freewheel mode;

- Push the lever forwards into the freewheel position(photo 4).

To engage the brake and take your scooter out of the freewheel mode;

- Pull the freewheel lever back towards the Drive position to activate the electromagnetic brakes of your scooter. You can now drive with your scooter and the scooter can't be pushed (photo 4).



4.5 Basic driving

- ➔ Make certain that you are seated safely and properly on your scooter;
- ➔ Turn the speed control knob fully counter clockwise to the slowest setting;
- ➔ Insert the key into the key switch;
- ➔ Turn the key counter clockwise to the “On” position;
- ➔ Place your hands on the handgrips;
 - Driving forward; Pull the right lever / push the left lever;
 - Driving backwards; Pull the left lever / push the right lever;
- ➔ Pull the throttle control lever to gently accelerate your scooter;
- ➔ Release the throttle control lever to allow your scooter to come gently to a full stop;
- ➔ Practice these two basic functions until you feel that you have control of your scooter.

4.6 Steering

- ➔ Place both hands on the handgrips of the tiller, turn the tiller to the right to travel to the right;
- ➔ Turn the tiller to the left to travel to the left;
- ➔ Make certain to maintain sufficient clearance when turning your scooter so that the rear wheels will be clear of any obstacles.

ⓘ Warning:

Turning your scooter too sharply at a too high speed can have result that the rear wheels won't be on the ground which will cause the scooter to tip over. Avoid this at all times by decelerating and making a large curve around corners and obstacles.

Steering in a tight spot

If you must steer in a tight spot, such as entering or leaving a doorway or when you are turning around;

- ➔ Bring your scooter to a full stop;
- ➔ Set speed at the lowest setting;
- ➔ Turn the tiller to the direction in which you wish to drive.

Steering in reverse

Please be extra careful when you are driving in reverse.

- ➔ Pull the left lever / push the right lever;
- ➔ Turn the tiller to the left to drive to the left;
- ➔ Turn the tiller to the right to drive to the right.



4.7 Control through tight spots

Your scooter is developed to increase your mobility but you will undoubtedly encounter some obstacles that will require practice to manoeuvre smoothly and safely. Below are some common obstacles that you may encounter during the daily use of your scooter. Below are also driving tips which will help you conquer those obstacles. Study and follow these tips so that you will be in control of your scooter as you manoeuvre it through doors, up and down ramps, up and over curbs, through grass and gravel, and up and down inclines.

Ramps

When driving up a ramp, curb, or incline:

- Lean forward to move the centre of gravity of the scooter forwards for maximum stability and safety.

When a ramp has a turn:

- Make sure that the front wheels make a large curve;
- This will make sure that the rear wheels follow in a large curve and will be free of obstacles.

When you will have to stop while driving up a ramp:

- While starting up again you should pull the lever gently and steady;
- Accelerate slowly after stopping on any incline.

Driving down a ramp

- Make sure that the speed setting of your scooter is the slowest speed setting;
- When you come to a stop release the lever slowly and carefully.

Curbs

- Always use curbs;
- Do not go up or down a curb that is higher than 4 cm;
- Always use caution when descending a curb;
- Approach the curb so that both back wheels of your scooter go over the curb at the same time;
- Never go down on curbs by traversing them. Doing this will cause the scooter to tip over;
- Go down a curb slowly to avoid a jarring bump. Use as little power as possible.

Grass and Gravel

Your scooter performs admirably on grass, gravel and hills but you must follow the operational parameters presented in this manual, see chapter 3. If you are unsure about any situation avoid it.

- Feel free to use your scooter on lawns or in park areas;
- Avoid long or high grass, which may wrap around your scooter's axles;
- Avoid loose gravel.



4.8 Going up an incline / down a decline

Driving on inclines

- For maximum stability lean forward;
- Drive with caution when attempting to drive up to any incline even handicap access ramps;
- Always climb or descend an incline by driving straight up or straight down the face of the slope;
- Do not traverse or drive across the face of an incline in any direction;
- Do not attempt to descend an incline that is covered with snow, ice, cut or wet grass, leaves, of any other potentially hazardous material;
- Do not back down of an incline;
- Try to keep your scooter moving when climbing on an incline. If you have to stop, restart and accelerate slowly and carefully;
- Do not try to descend or climb a slope which gradient is higher than recommended. The recommended incline gradient is 6°.

ⓘ Warning:

While you are driving down a slope and your scooter starts to move faster than you feel is safe release the throttle control lever slowly. Which will cause your scooter to decelerate. Keep the lever in the same position when you feel that you are in the control of your scooter again.

Driving down a decline

- Lower the speed of your scooter;
- When it's safe to descend drive down the decline.

Van Os Medical UK Ltd. does not recommend that you drive your scooter in reverse down any incline, ramp, curb, or low rise. Backing down any slope may create a very hazardous situation. If it is necessary to back down a slope follow one of the following.

💡 Tip

When using either of the following procedures to back down a slope Van Os Medical UK Ltd. strongly advises that you have the assistance of another person.

Procedure 1: Under power

- Set the key switch to the “Off position”;
- Get off of your scooter;
- Set the key switch to the “On position”;
- While standing next to your scooter, carefully operate the controls at the lowest speed setting;
- Slowly and carefully back your scooter down the incline;
- Step on your scooter and resume normal operation.



Procedure 2: Emergency (No power)

- ➔ Set the key switch to the “Off position”;
- ➔ Get off of your scooter;
- ➔ Put the scooter into the freewheel position;
- ➔ While standing next to the scooter, carefully manually maneuver it down the slope;
- ➔ When you have reached a level surface at the bottom of the slope, put the scooter into the drive position;
- ➔ See chapter 7 to restore power.

ⓘ Warning:

When your scooter is in freewheel mode, the park brake is released. The weight of the scooter on a slope may cause you to lose control of the scooter. If you do not feel capable of manually controlling your scooter down the slope request assistance or do not attempt to use this procedure.

4.9 EMI / RFI

The rapid development of electronics, especially in the area of communications, has saturated our environment with electromagnetic (radio) waves that are emitted by television transmitters, cellular phones, citizen’s band radios (CBs), amateur radios (ham radios), wireless computer left, microwave transmitters, paging transmitters, etc. These electromagnetic (EM) waves are invisible and increase in strength the closer one gets to the source of transmission. When these energy waves act upon electrical devices and cause them to malfunction or to function in an erratic or uncontrolled manner, they are referred to as Electromagnetic Interference (EMI) of Radio Frequency Interference (RFI).

EMI / RFI and your scooter

All electrically powered vehicles, including scooters are susceptible to Electromagnetic Interference / Radio Frequency Interference (EMI / RFI). This interference could result in abnormal, unintended movement of your scooter.

ⓘ Warning:

Unintended movement or brake release could cause an accident or injury.

The FDA has determined that each make and model of scooter can resist EMI/ RFI to a certain level. The higher the level of resistance, the greater the degree of protection from EMI/ RFI - measured in volts per meter (V/m). The FDA has also determined that current technology is capable of providing 20 V/m of resistance to EMI/ RFI, which would provide useful protection against common sources of interference. This product has been tested and has passed an immunity level of 20 V/m.



EMI / RFI recommendations

- ➔ Do not turn on or use hand-held personal electronic communication devices such as cellular phones, walkie-talkies, and CB radios while your scooter is turned on;
- ➔ Be aware of any nearby transmitters (radio, television, microwave, etc.) on your intended route and avoid operating your scooter close to any of those transmitters;
- ➔ Turn off the power if your scooter is going to be in a stationary position for any length of time;
- ➔ Be aware that adding accessories or components or modifying your scooter may make it more susceptible to EMI/ RFI;

Warning:

Turn off your scooter as soon as it is safely possible if unintended or uncontrollable motion occurs or if unintended park brake release occurs.



MAKING ADJUSTMENTS TO YOUR SCOOTER CAN CAUSE BIG RISKS FOR YOUR SAFETY AND THE FUNCTION OF YOUR SCOOTER. ADJUSTMENTS MADE BY YOURSELF ARE STRONGLY ADVISED AGAINST AND CARRIED OUT AT YOUR OWN RISK.

5 INSTRUCTIONS FOR USE AND MOUNTING OPTIONS

5.1 Technical information (with captain seat)

	3 Wheel	4 Wheel
Total length	123 cm	125 cm
Total width	60.2 cm	60.2 cm
Total height (measured from ground)	94.74 cm	99.82 cm
Seat width	45 cm	45 cm
Seat depth	40 cm	40 cm
Front wheels	10"	10"
Rear wheels	10"	10"
Maximum user weight	160 kg	160 kg
Ground clearance	8.9 cm	8.9 cm
Maximum speed	12 km/u	12 km/u
Maximum turning range	102 cm	135 cm
Maximum slope gradient	6°	6°
Batteries	2-50AH	2-50 AH
Weight batteries	25 kg	25 kg
Weight	92.5 kg	99.5 kg
Weight (exclusive batteries)	67.5 kg	74.5 kg
Weight seat	9.5 kg	9.5 kg



5.2 Armrest adjustments

Armrest width adjustment

To adjust the armrest width:

- Loosen the adjustment knob at the back of the seat (photo 5);
- Slide the armrest in or out to the desired width;
- Tighten the adjustment knob.

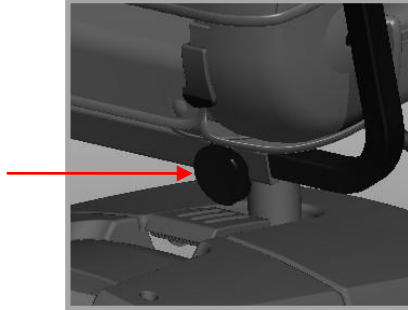


Photo 5

Flip-up the armrest

Place your hand on the end of the armrest and pull it upwards (photo 6) to flip it up for easy transfer on and off your scooter.



Photo 6

Adjust the angle of the armrest

- Loosen the screw, see photo 7;
- Put the armrest in the desired angle;
- Retighten the screw.

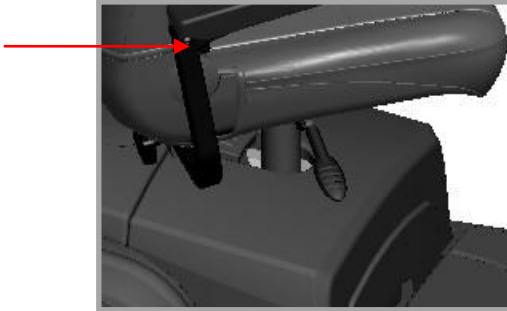


Photo 7

5.3 Seat adjustments

Seat rotation lever

The seat turning lever (at the bottom of the seat) allows the seat to rotate from 45° till 360°.

- Pull the seat rotation lever up (photo 8) and rotate the seat to the desired position;
- Release the handle to lock the seat.

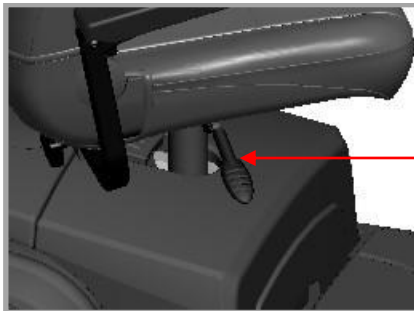


Photo 8

5.4 Tiller

Adjusting the position of the tiller

You can adjust the position of the tiller of your scooter:

- ➔ Pull the lever as showed on photo 9;
- ➔ Place the tiller in the desired position;
- ➔ Release the lever so the tiller is locked in this position;
- ➔ Check if the tiller is correctly locked by moving it back and forwards. If it doesn't move it is correctly locked.

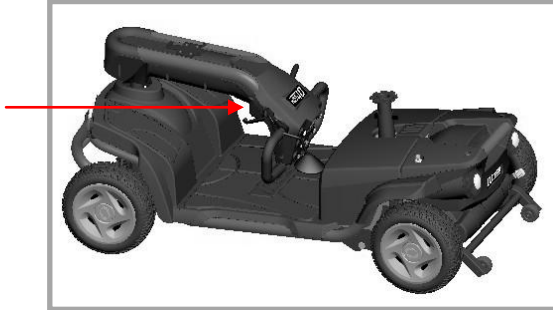


Photo 9

5.5 Disassemble

ⓘ Warning:

Remove the key from the key switch before you disassemble your scooter!

Remove the seat

You can disassemble the seat of the scooter.

Remove the armrests of the seat first to decrease the weight of the seat

- ➔ Stand behind the scooter and pull the lever under the seat;
- ➔ Grab the seat with both hands;
- ➔ Pull the seat straight up from the scooter, see photo 10.



Photo 10

Disassemble the battery pack

You should remove the battery pack when you won't use the scooter for more than a week;

- Loosen the screw and remove the top of the battery pack
- Remove the battery packs from the scooter, see photo 11.

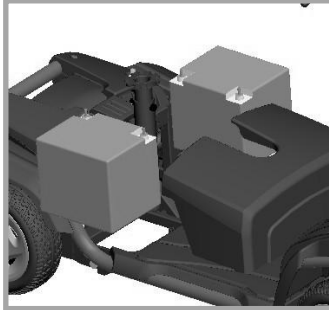


Photo 11

Disassemble the foldable basket

- Stand before the tiller of your scooter;
- Grab the foldable basket with both hands;
- Move the foldable basket upwards to yourself, see photo 12.



Photo 12

Folding down the tiller

- Pull the lever of the tiller;
- Fold the tiller completely down, see photo 13;
- Release the lever so the tiller is locked in this position.



Photo 13

Separating the front frame from the rear frame

- Pull the lever that disassemble the front frame with the rear frame (photo 14);
- Pull the rear frame in a upward motion to disassemble it from the front frame.

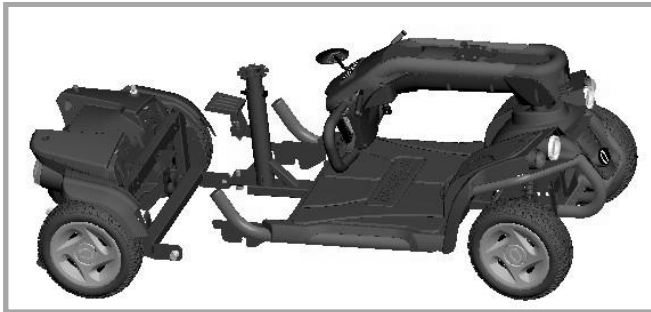


Photo 14

5.6 Assembly

ⓘ Warning:

Make sure while assemble that body parts won't get stuck between parts of your scooter!

Replace the seat

Make sure that the seat is straight above the seat post when you replace the seat of your scooter. If the seat isn't straight on the seat post you can't lock the seat correctly.

ⓘ Warning:

Always make sure the seat is correctly locked before you seat yourself on to the seat!

Replacing the battery pack

- Replace the battery pack back on to your scooter;
- Replace the cover back on to the battery pack and tighten the screw.

Replacing the foldable basket

- Stand before the tiller of your scooter;
- Grab the foldable basket with both hands;
- Place the foldable basket into the receiving bracket.

Putting the tiller back up

- Pull the lever of the tiller;
- Move the tiller on to the desired position;
- Loosen the lever to lock the tiller.



6 TRANSPORTING YOUR SCOOTER

You can transport your Travelux scooter in every car with an approved transport system.

- ➔ Disassemble or fold down the seat and tiller as close as possible to the loading area of the vehicle to be used for transporting your scooter.
- ➔ Do not lift your scooter by its plastic body parts or dash. Breakage of these parts is not covered by the warranty.
- ➔ Do not lift the tires to lift the rear frame. The tires may rotate and cause injury or damage.

ⓘ Warning:

Never sit on your scooter when it is being transported.

7 CARE AND MAINTAINANCE

Routine maintenance

The Travelux Supernova scooter is practically maintenance free. All of the bearings on your scooter are permanently lubricated and sealed. No additional lubrication is required however there are several things that you can do to help keep up the appearance and maintain the performance of your scooter.

Cleaning your scooter

Tires

Clean the tires with ordinary kitchen-type cleaners and a damp cloth. Do not use solvents on the tires. Solvents can cause the tire material to break down or become too soft.

Body

- ➔ Clean the body of your scooter with a damp cloth. Do not hose down your scooter! Dry with a clean soft cloth;
- ➔ Use cool water mixed with a mild soap to remove dirt and oils;
- ➔ Clean by hand with a soft cloth.

Vinyl seat

Clean with a mild soap or mild detergent and a damp cloth. A vinyl cleaner may also be used.



Batteries and charging

Your scooter is equipped with two maintenance free batteries. These batteries require no maintenance other than ensuring they are properly charged.

ⓘ Warning:

Before using new batteries for the first time you should be charge them for 12 hours.

Because your batteries may only have a partial charge when you first receive your scooter, you may not experience full riding time until you have fully charged them. Your scooter is equipped with either an off-board charger. To ensure maximum life charge your batteries as described below:

- Turn off the power of the scooter;
- Slide away the cover of the battery socket at the driving position of the tiller and insert the battery charger in the socket, see photo 15;
- Put the charger into the outlet;
- Do not switch on the battery charger until all the plugs are in position;
- The led light of the battery will be amber while charging;
- The led light will turn green when the batteries are fully charged;
- When you are not using the scooter for more than a week, fully charge the batteries and then disconnect them from the scooter.

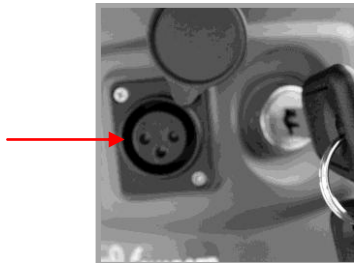


Photo 15

8 PROBLEM ANALYSIS AND SOLUTIONS

Your Travelux Supernova scooter is inspected and adjusted so that you can use it immediately.

Number of flashes

1 flash

The batteries need to be charged.

Remedy

Charge your scooter's batteries. See §4.3 batteries and charging.

2 flashes

Indicates that the battery voltage is too low or one or both of the batteries may be defect.

Remedy

Charge the batteries. When the fault still occurs after charging it is possible that the charger is defect.

3 flashes

Consult your authorized dealer.

4 flashes

Indicates that the motor is overloaded or overheated.

Remedy

Turn the power off of your scooter and allow the scooter to rest for 10 minutes.

5 flashes

Indicates a brake or brake wiring problem. The freewheel lever may be in the disengaged position.

Remedy

Make certain that the freewheel lever is in the engaged position. Turn the key switch to the "Off" position to stop the flash code. Set the freewheel lever to the "engaged" position. Turn the key back to the "On" position. If the above remedies do not solve the problem, contact your authorized dealer.

6 flashes

Indicates that the throttle control lever was not in the neutral position when the key switch was turned to the "On" position.

Remedy

Turn the key switch to the "Off" position. Make certain that the throttle control lever is in the neutral position. Turn the key switch to the "On" position.



7 flashes

Indicates a problem with the throttle control lever or the speed potentiometer

Remedy

Make certain that all electrical connections are firmly and correctly joined. If the problem is not solved contact your authorized dealer.

8 flashes

Indicates a motor voltage problem.

Remedy

Contact your authorized dealer.

9 flashes

Indicates other internal errors or faults.

Remedy

Contact your authorized dealer.

9 WARRANTY

9.1 Warranty application

Together with your Travelux Supernova scooter you get the factory warranty. This warranty is only granted to you as the consumer. It is not intended to be used commercially (like hiring or institutional use). The warranty is limited to defects to materials and possible hidden shortages. Van Os Medical UK Ltd. offers a warranty period of 2 years on the complete product except the batteries: 6 months. Also you can find the warranty periods label on the frame of your scooter. See also chapter 1.

Tip

We recommend the use of only Van Os Medical UK Ltd. replacement parts. If you do not use original parts, the warranty will be expired.



9.2 Warranty conditions

Your manual is also the warranty form, fill in the relevant details and store it carefully.

The warranty period commences upon the date of purchase. If within the warranty period, your scooter will be defect, it will be repaired or replaced. However you do need to provide to Van Os Medical UK ltd. a complete filled in warranty registration form, a copy of the bill with the date of purchase and the original packaging.

Tip

- Warranty is not transferrable.
- For more information and the location of service agents please visit our website: www.vanosmedical.com.

This warranty does not include any labour charges incurred by replacements. Under normal circumstances no responsibility is accepted when the scooter needs replacement or repairs as a direct result from:

- Not maintaining the scooter and parts according to the recommendations of the manufacturer, or not using the specific original parts;
- Damaging the scooter or parts by inattentive use, accident or wrong use;
- Adjusting the scooter or parts, different from the specifications of the manufacturer, or reparations done before the service agent is warned;
- If the product is not equipped with an original factory frame number and identification label as described in the manual, see chapter 1.

The scooter that is described and showed in this manual can different from your own model in details. However, all instructions are relevant, independent of slightly different details. We reserve the right to change the product in this manual without further notice. All drawings, measures and capacities showed in this manual, are approximations and may be slightly different to your scooter specifications.

Warning:

Van Os Medical UK ltd. cannot be liable for any consequent or individual damage whatsoever. While this manual is created with care it is not exclusive. The warranty is only valid during the indicated period. If adjustments are made to the Travelux Supernova scooter, which have structural impact on the product, the warranty will expire completely. You can visit www.vanosmedical.com for an enlarged warranty and supply conditions and an address list of service agents.



10 GENERAL MAINTENANCE INSTRUCTIONS

The Travelux Supernova scooter needs periodical maintenance. A badly maintained scooter will give more technical problems, turn less flexible and fall out the warranty terms.

Preventive maintenance is most important and many of these things you can easily do yourself or a friend or family member can help you. We highlight below the maintenance you can do yourself.

Inspection	Daily	Monthly	Yearly	Done by
Working of the brake	X			User
Checking the reversibility of front wheels	X			User
Cleaning		X		User
Checking the stability of the frame			X	Retailers
Oiling the wheel bearing			X	Retailers



CERTIFICATE



Product identification

Product: *Electrically powered, scooters and their chargers*
Brand: *Travelux*
Model/type: *Supernova*
Version:

Manufacturer:

Name *Van Os Medical UK Ltd.*
Address *Koperslagerij 3*
4651 SK Steenberg
Country *The Netherlands*

EU Representative:

Name *W. van Os*
Address *Koperslagerij 3*
4651 SK Steenberg
Country *The Netherlands*
Function *Director*

Technical constructed file

Prepared by: Name *J.M.J. Brouwer BBA*
Function: *Research & Development*
Issue date: *01-04-2013*
TCF date: *01-04-2013*
Recertification date:

Means of conformity

The product is in conformity with Directive 93/42/EEC based on the use of a Technical construction file in accordance with Article 9 (Class I products) of the Directive

Signature of EU representative:

Place : Steenberg

Date : 01-04-2013

Number : VOS.TCF.EX.6000-6010



TRAVELUX

Van Os Medical UK Ltd.

Excel House
Escrick Business Park
Escrick, York
YO19 6FD

Tel. +44 (0) 1904 720170
Fax. +44 (0) 1904 720398

E-mail: sales@vanosmedical.com
www.vanosmedical.com