

Mobility scooter
Mobilitetsscooter
Scooter



Trophy

USER MANUAL
BRUGSANVISNING
BRUKERMANUAL

EN
DA
NO



9002432H

English 4

Dansk 29

Norsk..... 54

English

© 2016 Sunrise Medical

All rights reserved.

The information provided herein may not be reproduced and/or published in any form, by print, photoprint, microfilm or any other means whatsoever (electronically or mechanically) without the prior written authorization of Sunrise Medical.

The information provided is based on general data concerning the construction known at the time of the publication of this manual. Sunrise Medical executes a policy of continuous improvement and reserves the right to changes and modifications.

The information provided is valid for the product in its standard version. Sunrise Medical can therefore not be held liable for any damage resulting from specifications of the product deviating from the standard configuration. Illustrations contained in the manual may deviate from the configuration of your product.

The information made available has been prepared with all possible diligence, but Sunrise Medical cannot be held liable for any errors contained in the information or the consequences thereof.

Sunrise Medical accepts no liability for loss resulting from work executed by third parties.

Names, trade names, trademarks etc. used by Sunrise Medical may not, as per the legislation concerning the protection of trade names, be considered as being available.

Introduction	6
This manual	6
Product reference	6
Service and technical support	6
Identification plate	7
Approval	7
CE declaration	7
Warranty	8
Liability	10
Used scooters and the environment	10
1 Safety	11
1.1 General safety instructions.....	11
1.2 Decals and instructions on the scooter	11
1.3 Electronic safety.....	11
2 General description	12
2.1 Product description	12
2.2 Main components.....	13
2.3 Controls.....	13
3 Operating instructions	18
3.1 Inspection before use.....	18
3.2 Getting in and out.....	19
3.3 Free wheel lever	19
3.4 Switching on the scooter	20
3.5 Driving.....	20
3.6 Obstacles	21
3.7 Operation	21
3.8 Reducing the scooter	23
3.9 Transport.....	23
3.10 Seat adjustments	24
3.11 Adjustment options	24
3.12 Coding the combination lock.....	24
4 Maintenance	25
4.1 Maintenance table.....	25
4.2 Batteries.....	25
4.3 Checking and inflating the tyres	26
4.4 Cleaning the scooter	26
5 Troubleshooting	27
5.1 Troubleshooting table.....	27
6 Technical specification	28

Introduction

This manual

With this manual you can safely use and maintain (clean) the product. In case of doubt always contact your dealer.



Strictly follow the procedures with a caution symbol! These procedures can - if they are not executed properly - result in human injury or damage to the product or the environment.

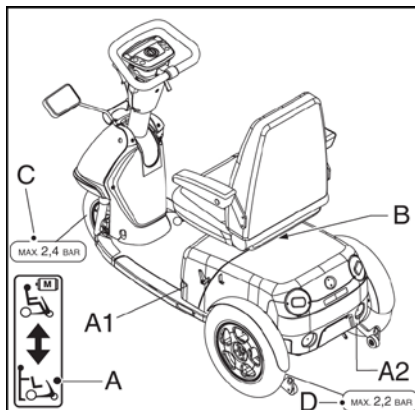
For further information

Please contact your local, authorised Sunrise Medical dealer if you have any questions regarding the use, maintenance or safety of your wheelchair. In case there is no authorised dealer in your area or you have any questions, contact Sunrise Medical either in writing or by telephone.

For information about product safety notices and product recalls, go to www.SunriseMedical.eu

Product reference

- A1 Free wheel Trophy Alpine (and models < 2012)
- A2 Free wheel Trophy (if not A1)
- B Identification plate
- C Tyre pressure front wheel(s)
- D Tyre pressure rear wheels

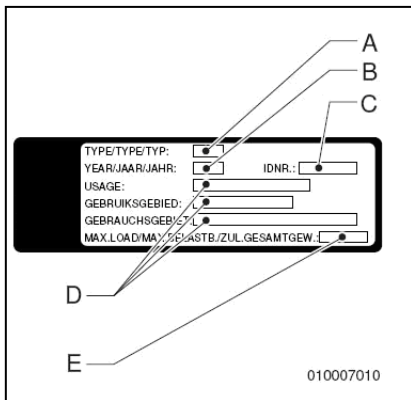


Service and technical support

For information concerning specific settings, maintenance or repair work, please contact your dealer. Make sure you always mention the model, year of manufacture and identification number. This information is provided on the identification plate of the product. A service manual is available for the dealer.

Identification plate

- A Model
- B Year of manufacture
- C Identification number
- D User area indoors or outdoors
- E Maximum load in kg



CE declaration



The product is in conformity with the provisions of the Medical Devices Directive and thus has CE marking.

Approval

The product meets the following standards:

1. EN12184 (1999) Electrically driven wheelchairs and scooters, class C.
2. ISO7176-8 Requirements for impact, static and fatigue strength.
3. ISO7176-9 Climate tests for electric wheelchairs and scooters.
4. ISO7176-14 Standards and test methods for controller systems of electrically driven wheelchairs.
5. ISO7176-16 Requirements of resistance to fire.

The product is EMC (Electro Magnetic Compatibility) approved in accordance with EN12184 (1999).

Warranty

Definitions of terms

Definitions of terms used in this warranty:

- After sales service part: Part purchased after the initial product that is durable and may be subjected to natural wear and tear or natural contamination during normal operation within the lifetime of the product.;
- Consumable part: Part that is subjected to natural wear and tear or natural contamination during normal operation within the lifetime of the product (section 9 of Sunrise Medical HCM B.V.'s general terms and conditions of sale);
- Client: Those who purchase the product directly from Sunrise Medical;
- Corrective action: Repair, replace or refund of the product;
- Dealer: Those who re-sell the product to the User;
- Defect: Any circumstance due to which the product is not sound or fit to use, caused by a lack of quality of the material used to manufacture the product as well as the quality of the manufacturing process;
- Option: An accessory delivered with the initial product by Sunrise Medical to extend the standard product model;
- Product: Product that is delivered according to brochure or contract (e.g. wheelchair, scooter, battery-charger etc.);
- Part: Part of product that can be exchanged or replaced. This can be an option, accessory, service part or consumable part;
- Returns: Product or part that needs to be returned;
- RMA-process user: Process to return goods, contact your dealer;
- RMA-process client: Process to return goods, contact Sunrise Medical's Customer Service;
- User: Those who use the product;
- Warranty: The rights and obligations set forth in this document;
- Warranty period: The period of time during which the warranty is valid;
- Warranty provider: Sunrise Medical HCM B.V., Vossenbeemd 104, 5705 CL Helmond, The Netherlands (also referred to as Sunrise Medical).

Notwithstanding the rights and obligations of Sunrise Medical, Client and User set forth in Sunrise Medical's general terms and conditions of sale, the rights of the Client and/or User towards Sunrise Medical in case of defects are limited to the provisions set forth in this warranty. For the duration of the warranty period Sunrise Medical guarantees that the product is without defects. In case of any defects the User is required –within two weeks after discovery of the defect- to contact the dealer. He has to complete a return form and return the product or part via the RMA-process. Sunrise Medical will, at its sole discretion, take the corrective action it seems fit under the given circumstances within a reasonable period of time (depends on nature of claim) from receipt of the completed return form. The warranty period will not be extended after a corrective action.

Warranty period table

Description	Warranty period	Examples include, but are not limited to the parts mentioned below
Frame	2 years	Weldment/frame
Drive system*	1 year	Transaxle, motor, motor brake
Electronics*	1 year	Controller, controlling mechanism, wiring harness, electronic components
After sales service parts	New: 1 year after invoice Repaired: 90 days after invoice	Brakes
Consumable parts	40 days after invoice	Carbon brushes, etc.
Options/Accessories	2 years	Mirror, mudguards etc. Delivered with the initial product

* also in case of after sales service part delivery

Sunrise Medical will only accept shipment costs and corrective costs related to warranty on equipment during the warranty period.

This warranty will void in case of:

- The product and/or its parts being modified;
- Changes in cosmetic appearance by use;
- Failure to observe the instructions for use and maintenance, use other than normal use, wear and tear, negligence, collateral damage by neglect of earlier symptoms, overloading, third-party accidents, non-original parts used and defects not caused by the product;
- Circumstances beyond our control (flood, fire, etc.).

This warranty does not cover:

- Tyres and inner tubes
- Batteries (covered by the battery manufacturer's warranty).

Clients and/or Users have legal (statutory) rights under applicable national laws relating to the sale of consumer products. This warranty does not affect statutory rights you may have nor those rights that cannot be excluded or limited, nor rights against the entity from whom the product was purchased. Clients may assert any rights they have at their sole discretion.

Liability

Irrespective of what is determined regarding liability in the general conditions applicable to the Product, with regard to liability in any case the following applies:

1. Taking into consideration the following stipulations, Sunrise Medical only accepts liability for loss due to death or physical injury that is the result of a defect in the Product for which Sunrise Medical is responsible and for damage to another object that is the private property of the user of the Product, as long as said loss is the direct result of a fault in the Product. At all times, the liability of Sunrise Medical is limited to the amount which is being covered by the third-party insurer of Sunrise Medical.
2. Sunrise Medical accepts no other or further liability than delineated under 1. In particular Sunrise Medical accepts no liability for consequential damage, in any form whatsoever.

Used scooters and the environment



If your scooter has become superfluous or needs to be replaced, it can usually be taken back by your dealer. If this is not possible, please contact your local authorities for the possibilities of recycling or an environmentally friendly way of disposing of the used materials.

For the production of the scooter several plastics and metals have been used. The scooter also contains electronic components that must go to electronic waste. Used batteries belong to chemical waste.

1 Safety

Sunrise Medical accepts no liability whatsoever for damage or injury caused by the failure to (strictly) adhere to the safety guidelines and instructions or else due to carelessness during the use and cleaning of the scooter and possible accessories. Depending on the specific work circumstances or the accessories used, additional safety instructions may be required. Please contact your dealer immediately if you observe a potential danger during the use of the product.

1.1 General safety instructions



- **The user of the scooter is at all times fully responsible for the fulfilment of the locally applicable safety regulations and guidelines.**
- **The technical specifications must not be altered.**
- **Modifications to (parts of) the scooter are not permitted.**

1.2 Decals and instructions on the scooter



- **Signs, symbols and instructions placed on this scooter comprise part of its safety facilities. They must never be covered or removed and must remain present and clearly legible throughout the entire lifespan of the scooter.**

- **Immediately replace or repair illegible or damaged signs, symbols and instructions. Contact your dealer with regard to this.**

1.3 Electronic safety

- The standard version of your scooter has been tested according to the strictest EMC requirements. Mobile telephones have no influence on the driving behaviour of the scooter.
When using a mobile telephone in the vicinity of a scooter with special adaptations, you are advised to first switch off the scooter.
- Your scooter may influence electromagnetic fields such as alarm systems.
- If the electronics of the scooter is not properly screened off, this may affect sensitive electrical appliances, such as shop alarms and garage openers. The scooter has been tested for this. Should any problems of this nature occur, please report these to your dealer immediately.

2 General description

2.1 Product description

The Trophy is an electrically driven scooter for longer distance outdoor use. The unique suspension system, stability and manoeuvrability offer excellent driving characteristics and maximum comfort. Fully adjustable, the Trophy scooter can be tailored to optimally meet your specific requirements, ensuring a relaxing position of the hands and shoulders. With controls on the right- or left-hand side the clear control panel can be easily operated with very little operating force. The Trophy scooter provides maximum independence!

The Trophy has been designed for:

- Transport of persons to a maximum weight of 160 kg.
- Use on paved roads, sidewalks, foot- and bicycle paths.
- Use in and around the house.

Your dealer must give you good driver's instructions before you can independently operate the product and participate in traffic.

You must be able to correct the consequences of actions while driving the scooter.

Consider operating the scooter under the supervision of an experienced dealer during first operations.

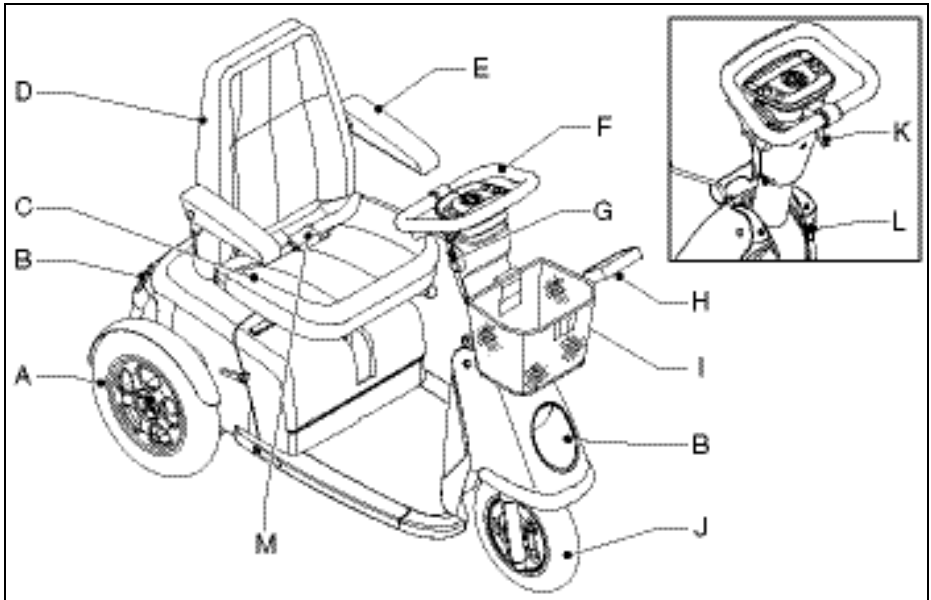
The scooter is not a motorised vehicle in the sense of traffic regulations.

The Trophy has a maximum speed of 15 kph.

If you use the scooter for other purposes than those for which it is intended, Sunrise Medical accepts no liability whatsoever for damage or injury resulting from such use other than for which the scooter was developed and designed.



Please study this manual carefully before you use the scooter.



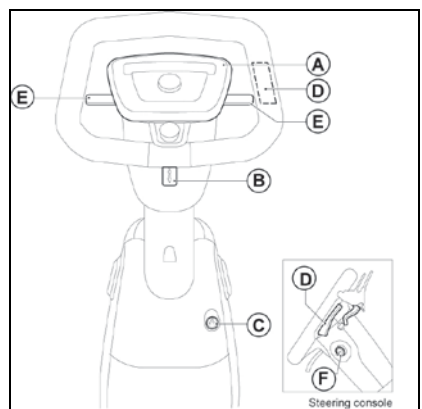
2.2 Main components

- | | | | |
|---|----------------|---|---|
| A | Rear wheels | I | Basket |
| B | Lighting | J | Front wheel(s) |
| C | Seat | K | Tiller angle adjustment |
| D | Backrest | L | Charge connection for the batteries |
| E | Armrest | M | Lap belt, to be provided by the dealer (option) |
| F | Tiller console | | |
| G | Ignition lock | | |
| H | Mirror | | |

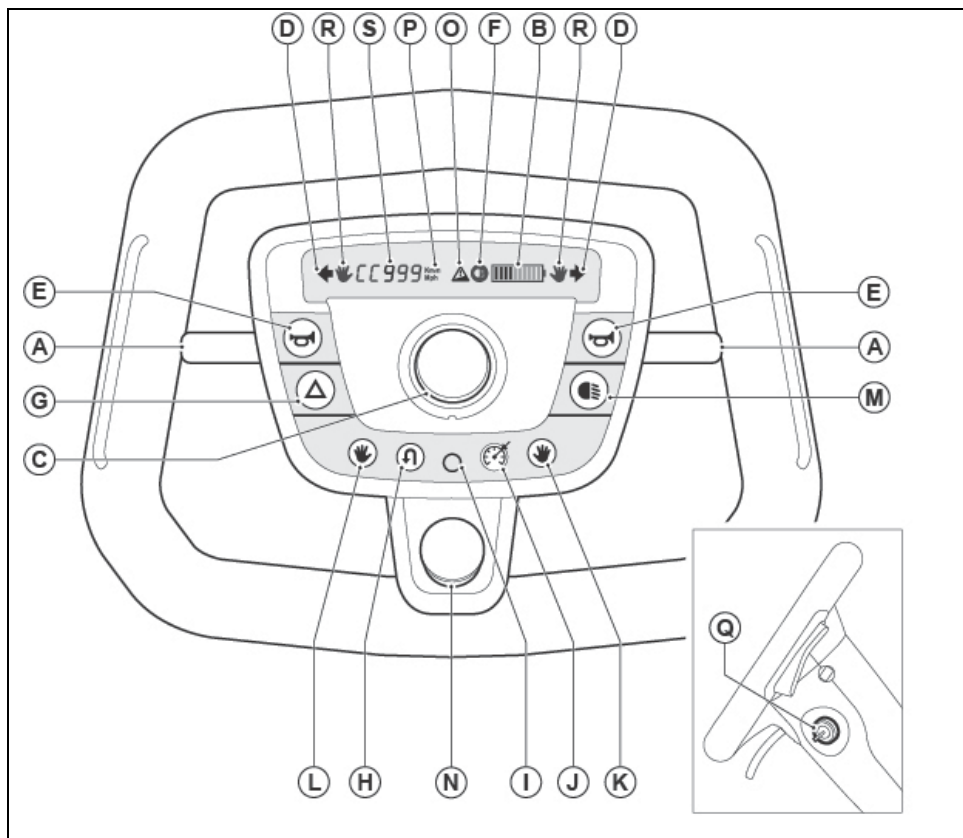
2.3 Controls

The scooter has the following controls

- A Control panel with all of the control keys
- B Handle for adjusting the angle of the steering column
- C Charging point. See 'Charging the batteries'.
- D Forward or reverse levers
- E Handles for indicator lights
- F Ignition key



General description







The control panel is equipped with the most advanced technology, offering functions for operating your scooter which are both useful and reliable.

- A Indicator handles, left and right *
- B Battery indicator
- C Speed regulator
- D Indicator for hazard lights / indicator lights
- E Horn switch*
- F Indicator for lights
- G Hazard lights switch
- H Reverse switch for foot throttle (if applicable)
- I Display menu selection switch
- J Cruise control switch (if applicable)







- K Right throttle selection switch (if applicable)
- L Left throttle selection switch (if applicable)
- M Light switch
- N Emergency stop button (if applicable)
- O Safe slope alarm indicator
- P Light sensor
- Q Ignition key
- R Active throttle indicator (if applicable)
- S Display

*These keys can be found on both the left-hand and right-hand side of the control panel

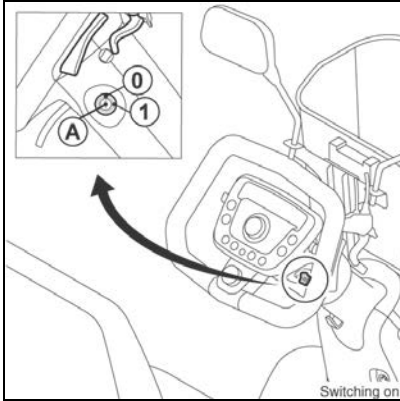
	<p>A Indicator handles, left / right</p> <p>On moving the handle (on the left or right-hand side) the indicator light starts flashing in order to indicate that you are going to change direction:</p> <ul style="list-style-type: none"> • Move left handle downwards or right handle upwards for turning left • Move left handle upwards or right handle downwards for turning right. <p>A bleeping sound can be heard when the indicator is switched on (if programmed).</p> <p>To turn off the indicators, press the same handle in the same direction again or wait 12 seconds.</p>
	<p>B Battery indicator</p> <p>The battery indicator provides a general indication of the state of the batteries. The batteries are fully charged when all the lights are illuminated. As the battery runs down, the lights go out one by one and changes into red, when it becomes critical. The indicator lights indicate the battery voltage available for the control unit. It is normal for the lower indicator to go out when the scooter accelerates. This is because extra power is needed momentarily, leading to a decrease in available voltage. This momentary dip is not a true indication of the battery capacity. When the scooter is used for the first time, the battery indicator may show that the batteries are fully charged, even if this is not the case. This is a feature of the batteries. Therefore, the most accurate indication of the battery level is to be obtained when driving on a flat surface.</p> <p>⚠ If the RED lights are illuminated on the battery indicator, then it is important that the batteries be recharged as soon as possible. Ensure that the batteries never run down completely; this reduces the lifespan of the batteries and can damage them.</p> <p>When lights are continuously moving, it indicates that the batteries are charging. The battery indicator gives also error messages from the controller. Dealer can analyse with the help of this fault-code message, the problem.</p>
	<p>C Speed regulator</p> <p>This knob allows you to set in 10 steps the desired maximum speed for your scooter. The maximum speed is increased by turning the knob in a clockwise direction. Turning the knob in an anti-clockwise direction decreases the maximum speed. Adjust the speed regulator before driving. Adjust the maximum speed to the surroundings and to traffic conditions (to a limited amount of space or to a room full of people, for example).</p>
	<p>D Indicator for hazard lights / indicator lights</p>
	<p>E Horn switch</p> <p>By pressing one of the horn keys, a warning sound is emitted to warn others of hazardous situations.</p> <p>The horn continues to sound as long as the key is pressed.</p>

General description

	<p>F Indicator for lights This indicator is activated when lights are switched on.</p>
	<p>G Hazard lights switch Pressing this key turns on the hazard lights. The hazard lights should be used if you suspect that you will not be seen by other road users, or if the scooter is at a standstill due to a defect. Pressing this key once more turns off the hazard lights. A bleeping sound is emitted when the hazard lights are turned on (if programmed).</p>
	<p>H Reverse switch for foot throttle (if applicable) Key to change direction when foot throttle is installed. After switching off the scooter by key, emergency stop, the standard direction is always forward.</p>
	<p>I Display menu selection switch Key to switch between display menu showing speed, trip distance and overall distance. When holding this key for more than 2 seconds in trip/mode, this value will be reset.</p>
	<p>J Cruise control switch (if applicable) Key to activate cruise control and set speed on current forward driving speed. Display will indicate CC when cruise control is set. It deactivates automatically when brake, emergency stop button, throttle, throttle selection switch, switch or CC-switch is used.</p>
	<p>K Right throttle selection switch (if applicable) Key to select / activate manually the right throttle, when also other throttles are installed. This will also be indicated on display. This is always active after switching on the scooter.</p>
	<p>L Left throttle selection switch (if applicable) Key to select / activate manually the left throttle, when also other throttles are installed. This will also be indicated on display.</p>
	<p>ITS Intelligent Throttle Switch (if applicable) After switching on the scooter, the first throttle that is used, becomes active. To switch to the other throttle, simply the other throttle should be operated and the currently active throttle should be released within 2 seconds. ITS is only possible in forward direction</p>

	<p>M Light switch By pressing this key once, the front and rear lights are turned on. On pressing once more, the lights are turned off again.</p>
	<p>N Emergency stop button (if applicable) Push to enable the emergency stop button. The scooter stops driving immediately and the hazard lights will turn on. To disable this function, the button needs to be turned counter clockwise and switch the scooter off and on again.</p>
	<p>O Safe slope alarm indicator This indicator lights up when a slope is too steep and exceeds the safe slope specification. Advice is stop driving further on this slope due to safety and drive back very carefully as mentioned in section 3.7.</p>
	<p>P Light sensor This sensor controls the brightness of the display automatically. Daylight → bright. Darkness → dimmed.</p>
	<p>Q Ignition key The ignition key needs to be inserted in the ignition lock and turned in order to switch on the scooter. All of the Trophy 20 functions can be operated only when the ignition key has been inserted in the ignition lock, with the exception of the lights and the hazard lights. The hazard lights and lights can always be operated, even when the ignition key has not</p>
	<p>R Active throttle indicator (if applicable) Indicates, when more than one throttle is installed, which throttle is active. In case just one throttle system is installed or foot throttle is active, indicators will be activated.</p>
	<p>S Display Display shows user info like speed, trip distance in a resolution of 0.1 km or M and overall distance in a resolution of 1 km or M. It also indicates the units (km/h or Mph) and if the cruise control is activated by showing CC. Flashing values means that the reverse direction is active for foot throttle. The brightness of the display will automatically change to its environment</p>

Operating instructions



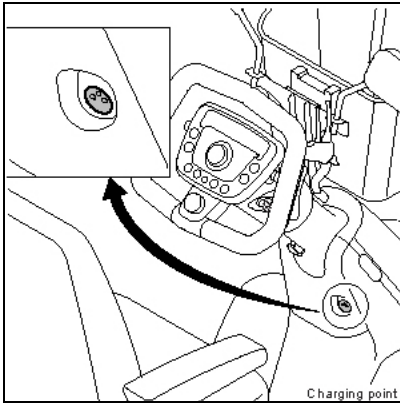
Switching on

The scooter is switched ON as follows:

- Insert the ignition key as far as possible in the lock (A) and turn it clock-wise towards the 1 indicating the switched ON position.

The scooter is switched OFF as follows:

- Turn the ignition key as far as possible counter clock-wise towards the 0 indicating the switched OFF position. Remove the key from the lock (A).

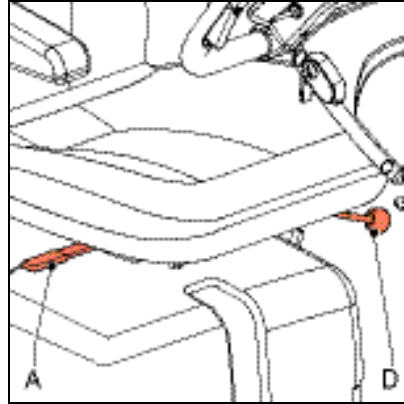


Charging point

- The charging point (A) is located on the steering column, under the control panel. This is the point to

which the battery charger cable can be connected.

All electronics must be switched off while the batteries are charging. Remove the ignition key before charging the batteries.



3 Operating instructions

3.1 Inspection before use

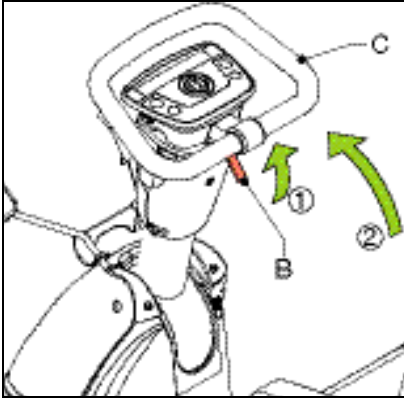
It is important to check the following points before you start driving the scooter:

- If the seat is properly locked (A).
- If the lights and indicators are working properly.
- If the tyres are sufficiently inflated.
- If the batteries are charged sufficiently. The green battery indicator lights must be on.



- **In winter the batteries have a lower capacity. In case of light frost the capacity will drop to approximately 75% of the normal capacity. At a temperature of less than -5° the capacity will be approximately 50% of the normal capacity. This will affect the range.**

- If you observe anything unusual while driving, release the throttle and take the key out of the ignition once you have stopped.



3.2 Getting in and out

1. Make sure the scooter is switched off electrically.
2. Put the free wheel handle in the DRIVE position.

Tiller angle adjustment

Pull the handle (B) for the tiller angle adjustment (C) and push the tiller forward.

Turning the seat

1. Move handle (A) forward and turn the seat 90° to the left or the right. The seat will lock automatically when turned 90°.
2. Now seat yourself on the seat.
3. Turn the seat back as described above. When the seat has been turned to its original position, it will click back into place.

Folding up armrests

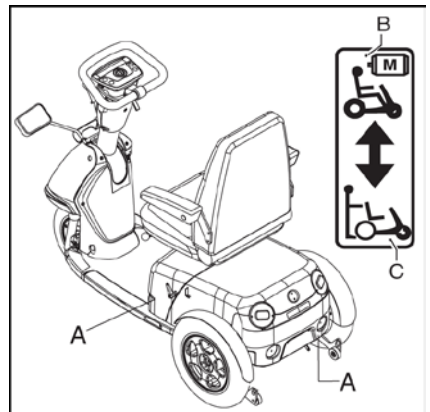
The armrest can be folded up so that you can get in and out sideways.

Sliding seat adjustment

Pull up the handle (D) and move the seat forward or backward into a comfortable position.



Switch of the scooter electrically before you get in or out! This way you will avoid that the scooter starts to move when you accidentally squeeze an operating handle.



3.3 Free wheel lever

Put the free wheel lever (A) in the DRIVE position (B) to be able to drive the scooter electrically.

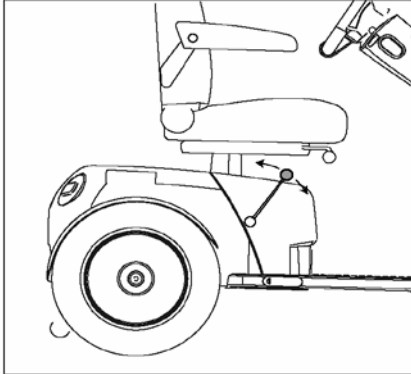
To be able to push the scooter, put the free wheel lever in the Push (C) position.



- Never put the scooter in the Drive position when you are parked on a slope. When the scooter is parked on a slope that is too steep, it can start moving down the slope.
- After pushing, the free wheel lever should immediately be returned to the Drive position.

Operating instructions

- The free wheel lever should only be put in the Push position if the scooter is to be pushed. In the Drive position the automatic parking brake is activated.



3.4 Switching on the scooter

To switch on the scooter put the key in the ignition and turn the key a quarter of a turn.



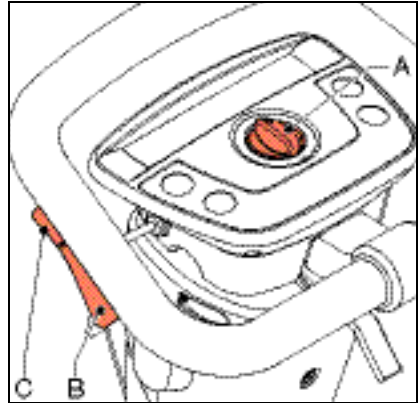
When an electronics error is detected, the battery indicator will start flashing. The electronics are blocked.



Make sure that the hand brake isn't still in its parking position when you take off.



Make sure no other keys / key ring are attached to the scooter's key ring while driving. This way you will avoid that the scooter is accidentally switched off and comes to a standstill.



3.5 Driving



- As a scooter driver you are vulnerable in traffic. Other traffic participants may not always notice you.
- Keep to the applicable traffic regulations.
- Avoid out-of-the way routes, so that help can be on its way quickly when needed.
- Use lap strap if applicable

Driving forward

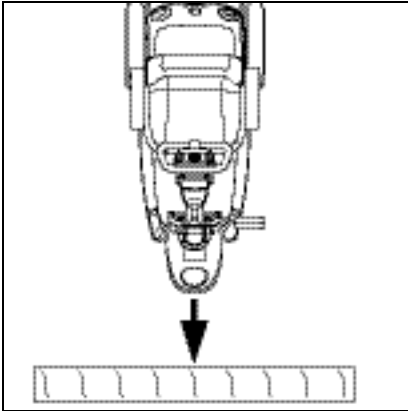
1. Switch on the scooter, see 3.4.
2. Use the speed control (A) to select the desired speed.
3. Squeeze the bottom part (B) of one of the operating handles. The further you squeeze the handle, the faster you will drive.

Reversing

1. Release the operating handle. The scooter will come to a standstill.
2. Slowly squeeze the top part (C) of one of the operating handles. The scooter will drive in reverse.
3. When you release the operating handle, you will brake automatically.



Select speed position 2 using the speed control (A). In the lowest speed position, the scooter will not drive.



3.6 Obstacles

Driving up obstacles

1. Drive straight up to the kerb.
2. Slowly squeeze the operating handle. Drive up the sidewalk without changing direction.
3. As soon as the front wheel is on the sidewalk, you must keep your speed for the rear wheels to be able to move up the sidewalk as well. If you cannot drive up onto the sidewalk, find a lower place where you can.

Driving down obstacles

1. Drive straight up to the edge of the sidewalk.
2. Slowly squeeze one of the operating handles. Drive carefully down the kerb without changing direction.



- Do not drive down stairs!
- In panic, release immediately the throttle. The scooter will stop automatically.

3.7 Operation

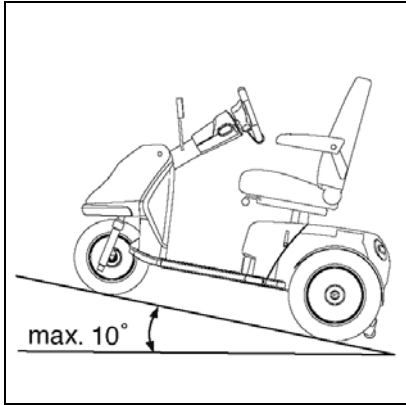


- Switch of the scooter electrically before you get in or out! This way you will avoid that the scooter starts to move when you accidentally squeeze an operating handle.
- Maximum slope witch can safely be driven with maximum weight according to ISO 7176-2 is 10° at 160 kg.

Driving up a slope



- Slopes with an angle of more than 10° must not be taken.
- Always drive slowly and with awareness on slopes.
- Do not drive down slopes with loose gravel or a sandy surface, as one of the rear wheels might slip.
- Avoid sudden and jerky movements.
- Avoid directional changes and turns on slopes if you notice a strong decrease in speed when driving up a slope, take a less steep route.
- Driving on a slope too long can cause overheating.



Driving down a slope



- If you need to drive down a slope, make sure the speed control is in the lowest position and drive as slowly as possible and with the utmost control.
- It can be very dangerous to reverse down a slope.
- Move the upper part of your body slightly backward and always brake slowly. If you brake fast, you may cause the scooter to tip over forward.

Curves

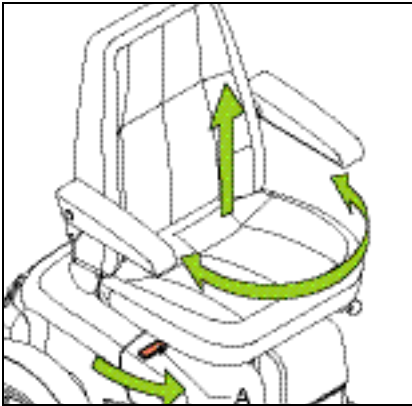


- Never take curves at full speed. Decrease speed before taking a curve.
- Use the indicators when changing direction.
- When making difficult movements, turn the speed controller in a low position.

Miscellaneous



- Drive carefully on slippery roads, resulting from rain, ice or snow!
- Prevent the scooter from coming into contact with seawater: seawater is caustic and may damage the scooter.
- Prevent the scooter from coming into contact with sand: sand may affect the moving parts of the scooter, resulting in unnecessarily rapid wear.
- Do not drive the scooter when you are under the influence of drugs, alcohol or medication that could affect your ability to drive.
- You must have sufficient eye sight to be able to safely drive the scooter.
- It is imperative to turn on the lights in case of reduced visibility.
- When driving at a high speed you must be extra careful. Select a lower maximum speed on sidewalks and in pedestrian areas.
- Be sure that no items of clothing hang loose. These could be caught between the wheels.



3.8 Reducing the scooter

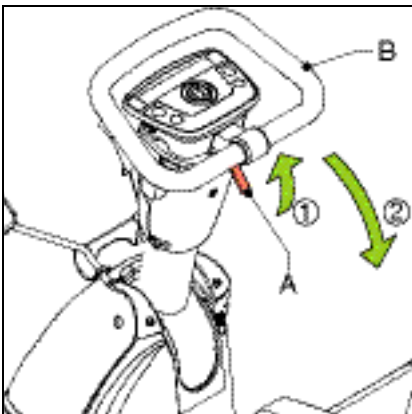
Removing the seat

1. Move the handle (A) forward.
2. Lift the seat from the socket in which it turns.

The seat can be removed more easily if you slightly turn the seat while lifting it.

Folding down tiller

Pull up the handle (A) and fold down the tiller (B).



3.9 Transport

The scooter can be placed in a car. The best way to do this is by using steel planking, across which the scooter is pushed into the car. The scooter may also be lifted; this requires at least two strong persons.



- Considering the nature of the scooter, the user is supposed to make a transfer to a regular car seat. You may not be transported in a car or taxi while sitting on the scooter, even if the vehicle concerned has been adapted for the transport of scooters. The reason for this is that a scooter cannot offer the level of safety that is offered by standard car seats, no matter how well the scooter is fixed to the vehicle concerned.
- After the scooter has been placed in the car, you must make sure that the free wheel lever is in the Drive position.
- The scooter must be secured with lashing straps at the tie-down points on the front and back of the frame.

3.10 Seat adjustments

Backrest

1. Seat yourself on the seat and pull up the handle (A). The backrest will move forward.
2. Press the backrest backward by leaning back to a position that is most comfortable for you. Then push the handle down to secure the backrest in the position you have chosen.



Do not operate the handle if the seat is unoccupied, because then the backrest will come forcefully forward.

Lower-backrest

Seat yourself on the seat and turn the knob (B) in such a way that the lower-backrest reaches the most optimal position for you.

Armrest

Turn the wheel (C) to adjust the height and angle of the armrest.



If the position of the backrest is adjusted, this will affect the position of the armrests.

Headrest height

Choose a comfortable height for the headrest.

3.11 Adjustment options

To ensure optimal posture and positioning as well as a relaxing position of the arms and shoulders, your dealer can adjust the:

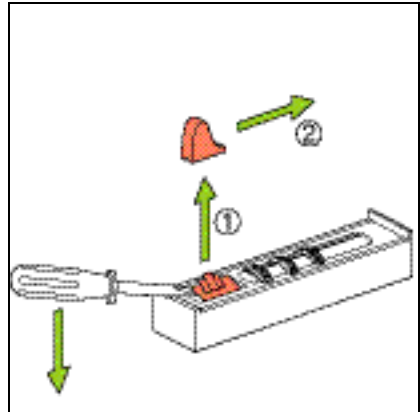
- Seat height
- Tiller console height
- Tiller console angle
- Spring tension (suspension of the scooter)

3.12 Coding the combination lock

The code is set to 0-0-0 ex-works.

Adjusting the code

1. Remove the button (1) using a small, sharp object.
2. Move the released button (2) in the direction of the wheels.
3. Keep the button in this position and set your personal code by turning the wheels.
4. Remember this code.
5. Release the button: your code has been set.
6. Firmly push the button (1) back in its position.
7. To unlock and release the basket, move the button to 'open'.



4 Maintenance

4.1 Maintenance table

It is recommended to have your scooter serviced by your dealer once a year or, in case of intensive use, every six months. The table below shows the maintenance activities you can perform yourself.

Frequency	Description
Daily	Charge the batteries after each use, see 4.2.
Weekly	Check tyre pressure and inflate the tyres if necessary, see 4.3
Monthly	Clean the scooter, see 4.4.
	Clean the upholstery, if necessary, see 4.4.
	Check the batteries (in summer: once every fortnight; in winter: once a month), see 4.2
Every three months	Lubricate the turning system of the seat.

4.2 Batteries

The scooter has 'dry' gel batteries. These dry batteries are entirely closed and maintenance free.



The use of 'wet' batteries is not permitted.

Charging the batteries

Consult the owner's manual of the battery charger.

In case of normal use the batteries should be charged every night.

1. Switch off the scooter.

2. Put the plug of the charge cord in the charge connection, see chapter 2.2.
3. Put the plug of the battery charger in the wall outlet of the electricity mains.

When the batteries have been charged:

1. Remove the plug of the battery charger from the wall outlet of the electricity mains.
2. Remove the plug from the charge connection.



- **As soon as the plug of the charge cord is connected to the charge connection, the operation of the scooter is switched off.**
- **Always remove the charge cord when the batteries have been charged. This way, you will prevent slow depletion of the batteries.**
- **Disconnect batteries in case of longer storage without usage.**
- **It is advised to mount a smoke detector in the charging area.**

Maintenance of the batteries

Refer to the battery instructions.



- **Make sure that the batteries are always well charged.**
- **Do not use the scooter if the batteries are almost depleted and never completely deplete the batteries. This can seriously damage the batteries and you run the risk to come to an unintended standstill.**

Cleaning the batteries

Keep the batteries clean and dry. Dirt and water can cause a leak, reducing

the capacity of the batteries. After cleaning grease the poles with acid-free vaseline.

Replacing the batteries

If the capacity of the batteries is reduced to the extent that the scooter can only make very short trips, the batteries are at the end of their lifespan. The batteries must be replaced as soon as possible. Contact your dealer for this.

4.3 Checking and inflating the tyres



- **Make sure the tyres are kept at the correct pressure.**
- **The tyre pressure may never exceed the maximum value indicated on the tyre.**

Inflate the tyres with a foot pump or a bicycle pump, in combination with the reducing nipple included in the delivery. You can also have your tyres inflated at your local petrol station.

- Tyre pressure front wheel: 2.4 bar
- Tyre pressure rear wheel: 2.2 bar

4.4 Cleaning the scooter

Removing dry dirt

Upholstery, metal parts and frame parts can usually easily be cleaned with a dry soft cloth.

Removing mud and other wet dirt

The dirty parts can best be cleaned by first wiping them with a wet sponge and then wiping them dry with a dry soft cloth.

Cleaning the upholstery

Clean the upholstery with a damp cloth and household soap. Then wipe the upholstery dry with a soft dry cloth.



- **Never use abrasive or aggressive cleansers. They can scratch the scooter.**
- **Do not use organic solvents such as thinner, benzene or white spirit.**
- **Be careful with water in view of the electronic system.**
- **Do not dry clean, iron or spin-dry the upholstery.**

5 Troubleshooting

5.1 Troubleshooting table

If the scooter will not function, while the batteries are fully charged, check the following points before contacting your dealer.

1. Switch off the scooter and then switch it on again. Check if the problem has been solved.
2. Check if all charge plugs are properly connected and secured.
3. Check if the scooter is in the DRIVE position (not in NEUTRAL).
4. Check if the position of the speed control has not changed.
5. In case of a malfunction the battery indicator lights will be flashing. Use the table below to find out the cause and report this information to your dealer.

Number of lights	Fault description	Action
6	Scooter is connected to the battery charger.	Disconnect the scooter from the battery charger.
7	Throttle error.	Make sure the throttles are not activated when the scooter is switched on.

In all other cases contact your dealer.

6 Technical specification

Model		Trophy 3W	Trophy 4W	Trophy Alpine
Max. user weight	kg	160	-	-
Total length	mm	1400	-	-
Total width	mm	660	-	-
Total weight without batteries	kg	155	166	155
Transport weight of heaviest part	kg	90	101	90
Static stability downward	°	15	-	-
Static stability upward	°	15	-	-
Static stability sideways	°	15	-	-
Range (ISO 7176) 85 Ah batteries	km	60	-	-
Range (ISO 7176) 56 Ah batteries	km	40	-	-
Dynamic stability on slopes	°	14	-	-
Climbing capacity for obstacles	mm	100	-	-
Starting on a slope	°	10	10	14
Maximum speed forward	km/u	15	15	11
Minimum brake distance at maximum speed	mm	2100	-	-
Idem, maximum	mm	2200	-	-
Seat angle	°	2	-	-
Effective seat depth	mm	440	-	-
Effective seat width	mm	460	-	-
Seat height front, minimum	mm	420	-	-
Idem, maximum	mm	550	-	-
Back angle, minimum	°	90	-	-
Idem, maximum	°	180	-	-
Back height	mm	550	-	-
Armrest height, minimum	mm	180	-	-
Idem, maximum	mm	220	-	-
Front armrest to backrest	mm	260	-	-
Minimum turning radius	mm	1250	1480	1250
Capacity to drive over obstacles	mm	100	-	-
Ground clearance	mm	70	-	-
Turning space	mm	1650	1940	1650

Batteries	
Maximum dimensions batteries	334x178x253 mm
Battery type	Gel/AGM
Scooter weight incl batteries	170 kg
Maximum battery capacity	86 Ah
Maximum battery capacity with 5 hours charging time	27.5 Ah
Maximum permissible charging voltage	13.6 V
Maximum charging current	10 A
Connector type	A DIN 72311
Connector type	A DIN 72311

Operating force	
Throttle	< 60 N
Electronic switches	< 13.5 N
Parking brake	< 60 N
Insert charge plug	< 60 N

Wheels	
Diameter front wheel	12.5" x 2.25"
Diameter rear wheels	3.00x10
Tyre pressure front wheel	2.4 Bar
Tyre pressure rear wheels	2.2 Bar

Dansk

© 2016 Sunrise Medical

Alle rettigheder forbeholdt.

De heri indeholdte oplysninger må ikke reproduceres og/eller udgives på nogen måde, det være sig i trykt form, som fotokopi, på mikrofilm eller på nogen som helst anden måde (elektronisk eller mekanisk) uden forudgående skriftlig tilladelse fra Sunrise Medical.

De indeholdte oplysninger er baseret på generelle data vedr. konstruktionen i den form, som disse forelå i på tidspunktet for udgivelse af denne vejledning. Sunrise Medical arbejder efter en politik om kontinuerlig forbedring og forbeholder sig ret til ændringer og modifikationer.

De indeholdte oplysninger gælder for produktet i dets standardversion. Sunrise Medical kan derfor ikke stilles til ansvar for nogen form for skader eller tab, der måtte skyldes specifikationer på produktet, som afviger fra standardkonfigurationen. Illustrationerne, der er indeholdt i vejledningen, kan afvige fra dit produkts konfiguration.

Oplysningerne, der stilles til rådighed, er udarbejdet med størst mulig omhu, men Sunrise Medical kan ikke gøres ansvarlig for nogen form for fejl i oplysningerne eller for eventuelle konsekvenser heraf.

Sunrise Medical påtager sig intet ansvar for tab som følge af arbejde, der er udført af tredjepart.

Navne, handelsnavne, varemærker osv., der benyttes af Sunrise Medical, må, iht. lovgivningen om beskyttelse af handelsnavne, ikke betragtes som værende til rådighed.

Håndbogen	31
Brugermanual.....	31
Produkt oversigt.....	31
Service og teknisk service.....	31
Typeskilt	32
Godkendelser	32
CE overensstemmelse	32
Garanti	33
Ansvar	35
Udtjente scootere og miljøet.....	35
1 Sikkerhed	36
1.1 Generelle sikkerheds instruktioner.....	36
1.2 Mærkning og instruktioner på scooteren.....	36
1.3 Elektronisk sikkerhed.....	36
2 Generel beskrivelse	37
2.1 Produktbeskrivelse	37
2.2 Bestanddele.....	38
2.3 Styreelementer	38
3 Kørsel	43
3.1 Før kørsel	43
3.2 Ind- og udstigning	44
3.3 Frikoblings håndtag	44
3.4 Tænde scooteren	45
3.5 Kørslen	45
3.6 Forhindringer	46
3.7 Kørsel i ujævnt terræn	46
3.8 Sammenpakke scooteren	48
3.9 Transport	48
3.10 Indstilling af sædet.....	49
3.11 Andre indstillinger	49
3.12 Kodning af kombinationslåsen.....	49
4 Vedligeholdelse	50
4.1 Service plan.....	50
4.2 Batterier	50
4.3 Kontrol og pumpning af dæk.....	51
4.4 Rengøring af scooteren	51
5 Fejlfinding	52
5.1 Fejlfindingsskema.....	52
6 Tekniske specifikationer	53

Håndbogen

Brugermanual

Denne håndbog forbereder dig på risikofri benyttelse og vedligeholdelse (rengøring) af køretøjet. I tvivlstilfælde henvises til at kontakte din forhandler eller relevant fagpersonale.

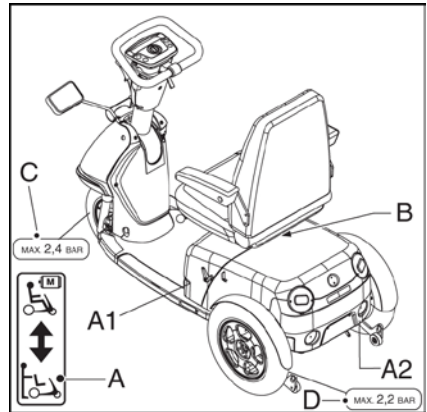


Advarsler vises ved dette symbol. Respekter altid advarslerne nøje. Manglende overholdelse af en advarsel givet i denne håndbog kan betyde fare for mennesker eller medføre skader på køretøjet eller dets omgivelser.

For mere information

Kontakt din lokale autoriserede Sunrise Medical-forhandler, hvis du har spørgsmål vedrørende din kørestols anvendelse, vedligeholdelse eller sikkerhed. Hvis der ikke er en autoriseret forhandler i dit område, eller hvis du har spørgsmål, kan du kontakte Sunrise Medical skriftligt eller telefonisk.

Oplysninger om produktsikkerhedsmeddelelser og produkttilbagekaldelser kan findes på www.sunrisemedical.eu.



Produkt oversigt

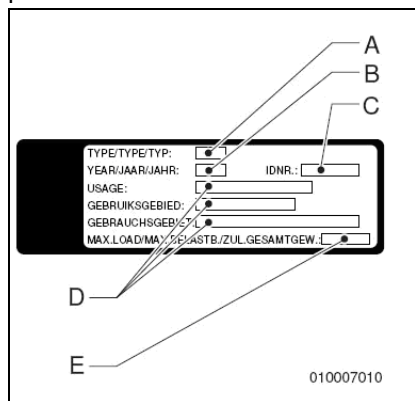
- A1 Fri kobling Trophy Alpine (samt modeller efter 2012)
- A2 Fri kobling Trophy (modeller der ikke hører under punkt A1)
- B Typeskilt
- C Dæk tryk forhjul
- D Dæk tryk baghjul

Service og teknisk service

Der henvises til forhandleren for oplysninger om den konkrete opsætning, vedligeholdelse og eventuelle reparationer. Du bedes oplyse model navn, produktions år og stelnummer. Disse oplysninger kan aflæses af køretøjets typeskilt. Servicehåndbog kan rekvireres fra forhandleren.

Typeskilt

- A Model
- B Produktionsår
- C Stel nummer
- D Indendørs / udendørs brug
- E Maksimum kg. last
- F



CE overensstemmelse



Dette produkt er i overensstemmelse med bestemmelserne i EU Direktiv om Medicinsk Udstyr og er således CE mærket.

Godkendelser

Produktet opfylder krav og specifikationer i følgende standarder:

1. EN12184 (1999) Elektrisk drevne køre-stole, scootere og deres ladere - Klasse C.
2. ISO7176-8 Krav og prøvningsmetoder til statisk, slag- og udmattelsesstyrke.
3. ISO7176-9 Klimaprøvninger til elektriske kørestole.
4. ISO7176-14 Kraftoverførsels- og kontrolsystemer til elektriske kørestole. Krav og prøvningsmetoder.
5. ISO7176-16 Modstandsevne over for antændelse af polstrede dele - Krav og prøvningsmetoder.

Produktet er EMC (Electro Magnetic Compatibility) godkendt i henhold til EN12184 (1999).

Garanti

Forklaring af ord, som er brugt i denne garanti:

- Afhjælpning: Reparation, udskiftning eller tilbagebetaling af produktet
- Bruger: Dem, som bruger produktet
- Del: Del af produktet, som kan udskiftes. Dette kan være et ekstraudstyr, en tilbehørsdel, reservedel eller forbrugsdel
- Ekstraudstyr: En tilbehørsdel, som Sunrise Medical leverer sammen med hovedproduktet for at udvide standardproduktmodellen
- Forbrugsdel: Del, som udsættes for almindeligt slid eller almindelig tilsmudsning under normal drift i løbet af produktets brugstid (afsnit 9 i Sunrise Medical HCM B.V.s generelle salgsvilkår og -betingelser)
- Forhandler: Dem, som videresælger produktet til brugeren
- Garanti: De rettigheder og forpligtelser, som er anført i dette dokument
- Garantiperiode: Den tidsperiode, under hvilken garantien gælder
- Garantisteder: Sunrise Medical HCM B.V., Vossenbeemd 104, 5705 CL Helmond, Holland (også omtalt som Sunrise Medical).
- Kunde: Dem, som køber produktet direkte fra Sunrise Medical
- Mangel: Enhver omstændighed, grundet hvilken produktet ikke er forsvarligt eller egnet til at bruge på grund af et kvalitetsproblem med det materiale, som er brugt til at fremstille produktet med, samt kvaliteten af fremstillingsprocessen
- Produkt: Det produkt, som leveres i henhold til brochure eller kontrakt (f.eks. kørestol, scooter, batterioplader osv.)
- Reservedel: Del, erhvervet efter hovedproduktet, som er holdbar, men som udsættes for almindeligt slid eller almindelig tilsmudsning under normal drift i løbet af produktets brugstid
- RMA-proces bruger: Processen for tilbagelevering af varer. Kontakt din forhandler
- RMA-proces kunde: Processen for tilbagelevering af varer. Kontakt Sunrise Medicals kundeservice
- Tilbagelevering: Produkt eller den del, der skal leveres tilbage.

Uanset de rettigheder og forpligtelser for Sunrise Medical, kunden og brugeren, som er anført i Sunrise Medicals generelle salgsvilkår og -betingelser, er kunden og/eller brugerens rettigheder over for Sunrise Medical i tilfælde af mangler begrænset til de bestemmelser, der er anført i denne garanti. Sunrise Medical garanterer i hele garantiperioden, at produktet er fri for mangler. I tilfælde af eventuelle mangler skal brugeren – inden for to uger efter at have opdaget manglen – kontakte forhandleren. Vedkommende skal udfylde en tilbageleveringsformular og levere produktet eller delen tilbage via RMA-processen. Sunrise Medical vil efter eget skøn foretage den afhjælpning, som de finder passende under de givne forhold inden for en rimelig tidsperiode (afhænger af klagens karakter) fra modtagelse af den udfyldte tilbageleveringsformular. Garantiperioden forlænges ikke efter en afhjælpning.

Skema for garantiperiode

Beskrivelse	Garantiperiode	Eksempler omfatter, men er ikke begrænset til, de dele, som er nævnt nedenfor
Stel	2 år	Svejsninger på stel
Drivsystem*	1 år	Gearkasse, motor og motorbremse
Elektronik*	1 år	Strømfordeler, styringsmekanisme, ledningsnet og elektroniske komponenter
Reserve dele erhvervet efter hovedproduktet	Nye: 1 år efter faktura Reparerede: 90 dage efter faktura	Bremser
Forbrugsdele	40 dage efter faktura	Kul osv.
Ekstraudstyr/tilbehør	2 år	Spejl, skærme osv. Leveret sammen med hovedproduktet.

*også ved levering af reservedele

Sunrise Medical betaler kun for fragtafgifter og afhjælpningsomkostninger, der er relateret til garantien, på udstyr i garantiperioden.

Denne garanti er ugyldig i tilfælde af:

- At produktet og/eller dets dele er blevet ændret.
- Ændringer i det kosmetiske udseende ved brug
- Manglende overholdelse af brugsvejledningen eller vedligeholdelsesinstruktionerne, ikke almindelig brug, slid, uagtsomhed, følgeskadevirkninger fra forsømmelse af tidligere symptomer, overbelastning, tredjepartsulykker, anvendte ikke-originale dele og mangler, der ikke er forårsaget af produktet
- Omstændigheder uden for vores kontrol (oversvømmelse, brand osv.).

Denne garanti dækker ikke:

- Dæk og indvendige slanger
- Batterier (dækkes af batteriproducentens garanti).

Kunder og/eller brugere har juridiske (lovfæstede) rettigheder i henhold til gældende national lovgivning i forbindelse med salg af forbrugerprodukter. Denne garanti påvirker ikke de lovfæstede rettigheder, som du kan have, eller de rettigheder, som ikke kan undtages eller begrænses, eller rettighederne over for den enhed, fra hvilken produktet blev købt. Kunder kan gøre eventuelle rettigheder, som de har, gældende efter eget skøn.

Ansvar

Uanset hvad der måtte være bestemt af generelle betingelser omfattende dette produkt, gælder følgende:

1. I henhold til de følgende betingelser accepterer Sunrise Medical kun ansvar for tab ved dødsfald eller ved person skade som er forårsaget af en defekt ved produktet for hvilken Sunrise Medical er ansvarlig og for skader på ting som tilhører brugeren af produktet, og kun i det omfang at et sådant tab er den direkte følge af en defekt ved produktet. Sunrise Medical's ansvar er til enhver tid begrænset til forsikringssummen dækket af Sunrise Medical's forsikringselskab.
2. Sunrise Medical er ikke ansvarspligtig ud over det under pkt. 1 fastlagte. Sunrise Medical fraskriver sig ethvert ansvar for følgeskader, i enhver form og udstrækning.

Udtjente scootere og miljøet



Når din scooter er udtjent eller står foran udskiftning, vil den ofte kunne leveres tilbage til forhandleren. Kontakt din kommunale genbrugsordning for at få vejledning til en miljørigtig bortskaffelse af køretøjet.

1 Sikkerhed

Sunrise Medical er ikke i nogen udstrækning ansvarlig for skader eller kvæstelser forårsaget af manglende (nøje) overholdelse af sikkerheds - forskrifter og instruktioner eller forårsaget af skødesløshed under brug eller rengøring af scooteren ellers dens tilbehør. Alt efter den konkrete funktionssituation eller af det konkrete tilbehør kan yderligere sikkerhedsinstruktioner være påkrævet. Kontakt omgående forhandleren hvis du observerer en potentiel farlig situation under brug af produktet.

1.1 Generelle sikkerheds instruktioner



- **Føreren af scooteren er til enhver tid ansvarlig for overholdelse af færdselsloven og andre gældende regler og vejledninger.**
- **Køretøjets tekniske specifikationer må ikke ændres.**
- **Det er ikke tilladt at foretage konstruktive ændringer af scooteren (og dens dele).**

1.2 Mærkning og instruktioner på scooteren



- **Skilte, symboler og instruktioner placeret på denne scooter udgør en del af dens sikkerhedsudstyr. De må ikke tildækkes eller fjernes og skal forblive til stede og synlige i hele scooterens levetid.**

- **Udskift eller reparer omgående ulæselige eller beskadigede skilte, symboler eller instruktioner. Kontakt forhandleren herom.**

1.3 Elektronisk sikkerhed

- Denne typegodkendte version af din scooter er afprøvet under de højeste EMC krav. Mobiltelefoner har ingen indvirkning på scooterens køreegenskaber. Benyttes en mobiltelefon i nærheden af en scooter med specielle tilpasninger, tilrådes det at slukke for scooteren først.
- Scooteren kan påvirke elektromagnetiske felter som f.eks. alarmsystemer.
- Såfremt scooterens elektronik ikke er korrekt skærmet, kan den påvirke visse følsomme elektriske installationer så som butiksalarmen og garageåbnere. Scooteren er testet herfor. Hvis der skulle opstå sådanne problemer bedes du kontakte din forhandler omgående

2 Generel beskrivelse

2.1 Produktbeskrivelse

Trophy er en elektrisk drevet scooter til brug over større afstande udendørs. Det unikke fjedrende ophæng, dens stabilitet og dens manøvreedygtighed sikrer enestående køreegenskaber og maksimal komfort. Den er fuldt indstillelig og vil passe til præcis dine behov samtidigt med at du sidder afslappet med hænder og skuldre. Med gasknapper i både højre og venstre side af det ergonomiske styr kan den betjenes med et minimum af kræfter. Trophy'en giver frihed og uafhængighed!

Trophy er designet til:

- Transport af personer op til 160 kg.
- Kørsel på asfalt veje, fortove, cykelstier og gangstier.
- Brug inde og ude.

Forhandleren eller en anden fagperson vil tilbyde dig en grundig introduktion og træning så du hurtigt føler dig tryk ved din Trophy, især i trafikken:

Du skal være i stand til at kontrollere scooteren og foretage korrigerende handlinger medens du kører.

Foretag de første køreture under vejledning af forhandleren eller anden fagperson.

Scooteren er ikke et motorkøretøj i færdselslovens betydning.

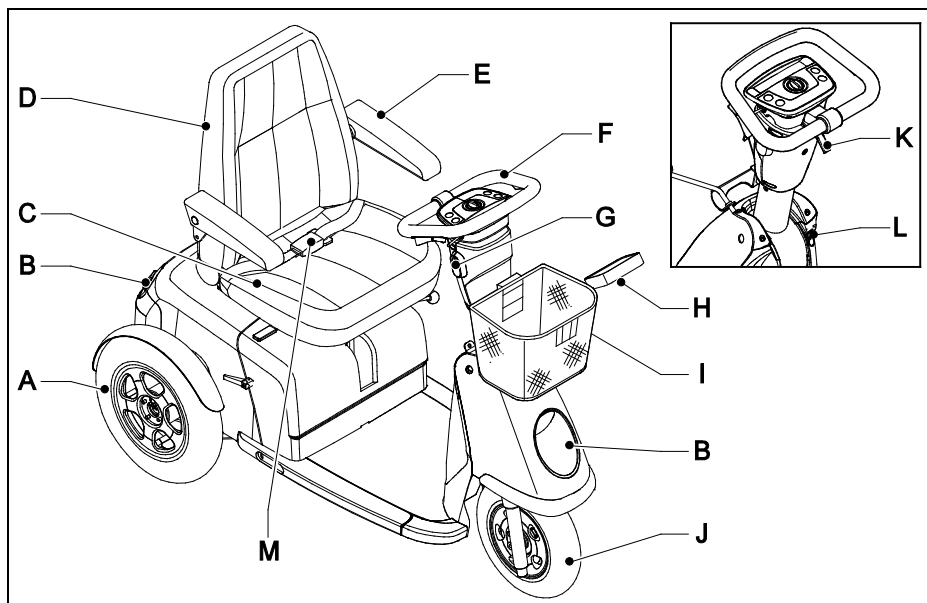
Trophy når en max. hastighed på 15 km/t.

Hvis du benytter scooteren til andre formål end den er beregnet til, bortfalder Sunrise Medical's ansvar for enhver skade eller ulykke som den utilsigtede benyttelse måtte medføre.



Læs denne håndbog grundigt før du benytter scooteren.

Generel beskrivelse



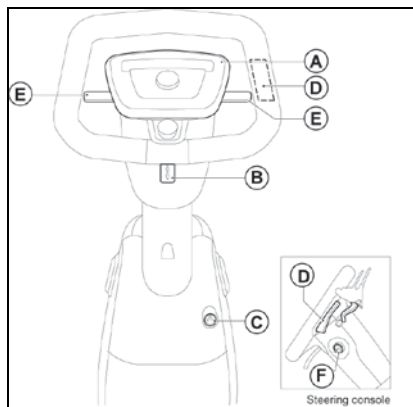
2.2 Bestanddele

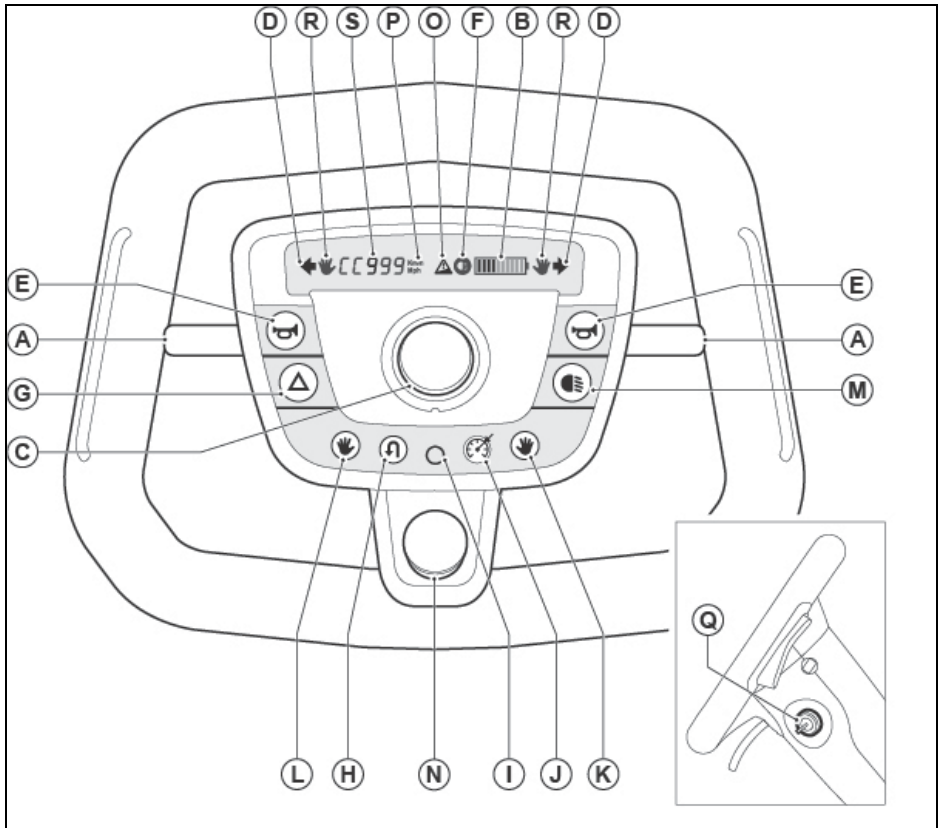
- | | | | |
|---|-------------|---|-----------------------------|
| A | Baghjul | H | Spejl |
| B | Lygter | I | Kurv |
| C | Sæde | J | Forhjul |
| D | Ryglæn | K | Styrkonsol justering |
| E | Armlæn | L | Ladebøsning til batterierne |
| F | Styrkonsol | M | Hoftesele (ekstra udstyr) |
| G | Tændingslås | | |

2.3 Styreelementer

Scoteren har følgende styreelementer

- | | |
|---|--|
| A | Styrepanel med alle styretaster |
| B | Håndtag til indstilling af styresøjls vinkel |
| C | Opladepunkt. Se 'Opladning af batterierne'. |
| D | Frem eller tilbage-arme |
| E | Håndtag til signallys |
| F | Tændingsnøgle |










Styrepanelet er udstyret med den mest avancerede teknologi med funktioner til betjening af din scooter, som er både nyttige og pålidelige.








- A Signalhåndtag, venstre og højre *
- B Batteri-indikator
- C Hastighedsregulator
- D Indikator for fare-lys / signallys
- E Horn-kontakt
- F Indikator for lys
- G Kontakt til fare-lys
- H Bakke-kontakt til fodgasspjæld (I givet fald)
- I Visning af menu, vælgerkontakt
- J Fartpilot-kontakt (i givet fald)

- K Højre gasspjældsvælgerkontakt (i givet fald)
- L Venstre gasspjældsvælgerkontakt (i givet fald)
- M Lyskontakt
- N Nødstopknap (i givet fald)
- O 'Sikker skråning'-alarm-indikator
- P Lyssensor
- Q Tændingsnøgle
- R Aktiv gasspjælds-indikator (i givet fald)
- S Display






*Disse taster kan befinde sig både på venstre og højre side af styrepanelet

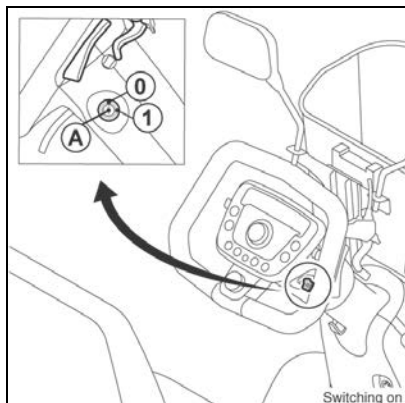
Generel beskrivelse

	<p>A Signalhåndtag, venstre / højre</p> <p>Når der trykkes på tasten (i venstre eller højre side), begynder signallyset at blinke for at angive, at du vil skifte retning: Før venstre tast ned eller højre tast op for at dreje til venstre Før venstre tast op eller højre tast ned for at dreje til højre Der høres en bippelyd, når indikatoren er tændt (hvis programmeret). Indikatorerne slås fra ved at trykke den samme tast i den samme retning igen eller vente 12 sekunder.</p>
	<p>B Batteri-indikator</p> <p>Batteriindikatoren viser batteriernes tilstand generelt. Batterierne er fuldt opladede, når alle lys er tændt. Efterhånden som batteriet tømmes, går lysene ud ét efter ét og skifter til rødt, når det bliver kritisk. Signallysene angiver den batterispænding, der er til rådighed for styreenheden. Den nederste indikator går normalt ud, når scooteren accelererer. Det er, fordi der i dette øjeblik bruges ekstra strøm, og det forårsager et fald i den spænding, der er til rådighed. Dette momentane fald er ikke en sand angivelse af batterikapaciteten. Når scooteren bruges første gang, kan batteri-indikatoren vise, at batterierne er fuldt opladede, selv om dette ikke er tilfældet. Dette er en egenskab ved batterierne. Derfor fås den mest præcise angivelse af batteristanden, når der køres på en plan flade.</p> <p>⚠ Hvis RED-lysene er tændt på batteri-indikatoren, er det vigtigt at oplade batterierne hurtigst muligt. Sørg for, at batterierne aldrig tømmes helt; da dette reducerer batteriernes levetid og kan beskadige dem. Når lysene bevæger sig vedvarende, betyder det, at batterierne er ved at lade op. Batteri-indikatoren giver også fejlmeddelelser fra kontrolenheden. Forhandleren kan analysere problemet ved hjælp af denne fejlkodemeddelelse.</p>
	<p>C Hastighedsregulator</p> <p>Med denne knap kan du i 10 trin indstille maksimumhastigheden for din scooter. Maksimumhastigheden øges ved at dreje knappen med uret. Når knappen drejes mod uret, nedsættes maksimumhastigheden. Indstil hastighedsregulatoren før kørslen. Indstil maksimumhastigheden efter omgivelserne og trafikforholdene (efter en begrænset plads eller et værelse fyldt med mennesker, for eksempel).</p>
	<p>D Indikator for fare-lys / signallys</p>
	<p>E Horn-kontakt</p> <p>Når der trykkes på én af horn-kontakterne, udsendes der en advarselslyd for at advare andre mod farlige situationer. Hornet fortsætter med at lyde, så længe der trykkes på tasten.</p>
	<p>F Indikator for lys</p> <p>Denne indikator aktiveres, når lysene tændes.</p>

	<p>G Kontakt til fare-lys Ved at trykke på denne tast tændes fare-lysene. Fare-lysene bør bruges, hvis du frygter ikke at blive set af andre brugere af vejen, eller hvis scooteren står stille på grund af en defekt. Ved at trykke på denne tast én gang til slukkes fare-lysene. Der udsendes en bippelyd, når der tændes for fare-lysene (hvis programmeret).</p>
	<p>H Bakke-kontakt til fod-gasspjæld (i givet fald) Tast til retningsskift, når der er installeret fod-gasspjæld. Når scooteren er blevet slukket med nøgle, nødstop, er standardretningen altid fremad.</p>
	<p>I Visning af menu, vælgerkontakt Tast til at skifte mellem visning af menu der viser hastighed, antal kilometer for en tur og antal kilometer i alt. Når du holder denne tast inde i mere end 2 sekunder i tur/-unktion, bliver denne værdi nulstillet.</p>
	<p>J Fartpilot-kontakt (i givet fald) Nøgle til aktivering af fartpilot og indstilling af hastigheden til den aktuelle kørehastighed. Displayet viser CC, når fartpiloten er sat til. Den deaktiveres automatisk, når bremse, nødstopknap, gasspjæld, gasspjælds-vælgerkontakt, kontakt eller CC-kontakt bruges.</p>
	<p>K Højre gasspjælds-vælgerkontakt (i givet fald) Tast til at vælge / manuelt aktiverer højre gasspjæld, når der også er installeret andre gasspjæld. Dette vises også på displayet Dette er altid aktivt, når scooteren er tændt.</p>
	<p>L Venstre gasspjælds-vælgerkontakt (i givet fald) Tast til at vælge / manuelt aktiverer venstre gasspjæld, når der også er installeret andre gasspjæld. Dette vises også på displaye.</p>
	<p>ITS Intelligent Trottle Switch (Intelligent speederskifter)(Hvis den er til stede) Når scooteren startes, bliver den første speeder, der bruges, aktiv. For at skifte til den anden speeder skal du ganske enkelt bruge den anden speeder, og samtidig slippe den aktive speeder inden for 2 sekunder. ITS er kun muligt i fremadgående retning.</p>
	<p>M Lyskontakt Når der trykkes én gang på denne tast, tændes for- og baglygterne. Ved at trykke på denne tast én gang til slukkes lysene igen.</p>

Generel beskrivelse

	<p>N Nødstopknap (i givet fald) Tryk for at aktivere nødstopknappen. Scooteren standser omgående, og fare-lysene tændes. For at deaktivere denne funktion skal knappen drejes mod uret, og scooteren slukkes og tændes igen.</p>
	<p>O Sikker skrånings-alarmindikator Denne indikator lyser, når en skråning er for stejl og overskrider specifikationen for en sikker skråning. Det tilrådes at holde op med at køre videre på denne skråning af hensyn til sikkerheden og køre meget forsigtigt tilbage, som nævnt i afsnit 3.7.</p>
	<p>P Lyssensor Denne sensor kontrollerer automatisk displayets lysstyrke. Dagslys → klar. Mørke → dæmpet.</p>
	<p>Q Tændingsnøgle Tændingsnøglen skal sættes i tændingslåsen og drejes for at tænde for scooteren. Alle Trophy 20 funktioner kan først betjenes, når tændingsnøglen er sat i tændingslåsen, bortset fra lygterne og fare-lysene. Fare-lysene og lygterne kan altid betjenes, selv om Tændingsnøglen ikke er sat i låsen. Hvis tændingsnøglen er i låsen, og scooteren ikke bruges i et stykke tid, udsendes der en bippelyd efter 20 minutter.</p>
	<p>R Aktivt gasspjælds- indikator (i givet fald) Angiver, hvilket gasspjæld der er aktivt, hvor der er installeret mere end ét gasspjæld. I tilfælde af, at der kun er installeret ét gasspjældssystem, eller fod-gasspjældet er aktivt, aktiveres indikatorerne.</p>
	<p>S Display Displayet viser brugerinformation som hastighed, antal m/km for turen i intervaller à 0,1 km eller M og antal m/km i alt i intervaller à 1 km eller M. Det viser også enhederne (km/h eller Mph), og hvis fartpiloten er aktiveret vises CC. Blinkende værdier betyder, at bakning er aktiv for fod-gasspjældet. Skifter det oplyste felt i displayet til den nye speeders område.</p>



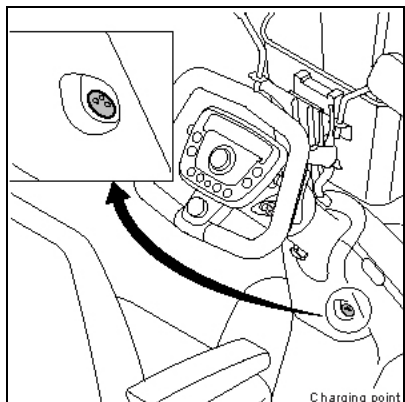
Tænde

Scooteren TÆNDES som følger:

- Sæt tændingsnøglen så langt ind i låsen (A) som muligt og drej den venstre om (med uret) i retning af mærket '1', tændingspositionen.

Scooteren SLUKKES som følger:

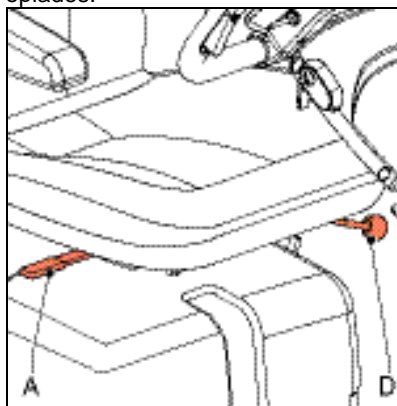
- Drej tændingsnøglen højre om (mod uret) så langt som muligt mod mærket '0', SLUKKET positionen. Tag nøglen ud af låsen (A).



Opladepunkt.

- Opladepunktet (A) befinder sig på styresøjlen, under styrepanelet. I dette punkt kan batteriopladekablet tilsluttes.

Al elektronik skal være slået fra, mens batterierne oplades. Tag tændingsnøglen ud, før batterierne oplades.



3 Kørsel

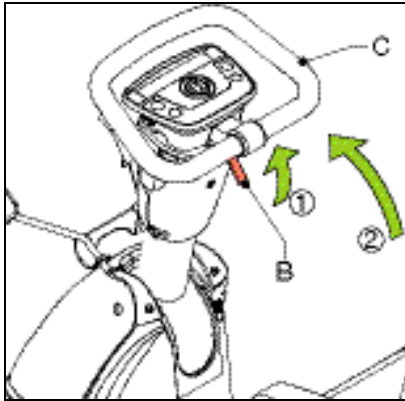
3.1 Før kørsel

Det er vigtigt at kontrollere de følgende punkter før du starter scooteren:

- At sædet er korrekt låst (A).
- At lygter og blinklys fungerer korrekt.
- At dæktryk er korrekt.
- At batterier er tilstrækkeligt opladet. Batteriindikator lyser grønt.



- **Batteriernes kapacitet er nedsat om vinteren. I let frostvejr vil deres kapacitet være reduceret til 75% af den normale. Ved temperaturer under -5° vil batteriernes kapacitet være ca. 50%. Dette vil påvirke kørestolens rækkevidde.**
- Hvis du oplever en usædvanlig situation ved scooteren mens du kører, slip gasknappen og sluk ved tændingsnøglen straks når den holder stille.



3.2 Ind- og udstigning

1. Sørg for at scooteren er slukket ved tændingsnøglen.
2. Sæt Frikoblings-håndtaget i DRIVE position.

Justering af Styr-konsol

Træk i håndtag (B) for at justere styr-konsollen (C) og skub styret fremad.

Dreje Sædet

1. Skub håndtag (A) fremad og drej sædet 90° mod venstre eller højre. Sædet vil låses automatisk når det står i 90°.
2. Du kan nu sætte dig i sædet.
3. Drej sædet tilbage som beskrevet ovenfor. Sædet låses automatisk, når det står i kørestilling.

Opklappelige armlæn

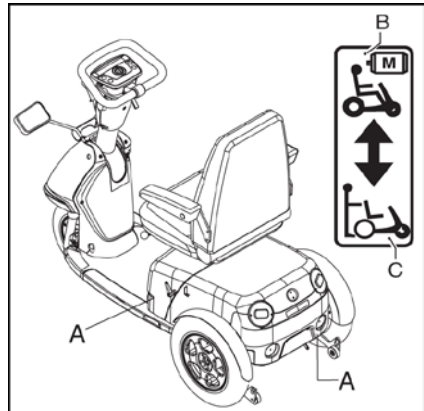
Armlæn kan klappes op så du kan komme ind og ud af sædet fra siden.

Sædets frem og tilbage justering

Løft i håndtag (D) og skub sædet fremad eller tilbage til den ønskede position.



Sluk for scooteren ved tændingsnøglen før du stiger ind eller ud! Herved sikrer du at scooteren ikke kører hvis du ved et uheld kommer til at berøre gasknappen.

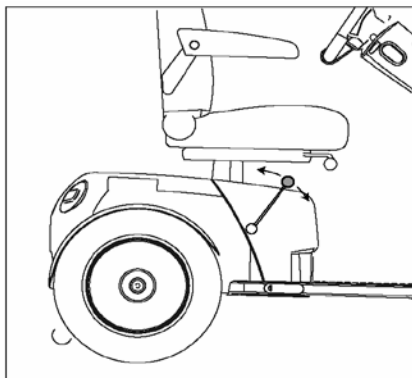


3.3 Frikoblings håndtag

Frikoblings håndtag skal (A) stå i DRIVE stillingen (B) for at scooteren kan køre. Vrid frikoblings håndtag til PUSH (C) stilling for at kunne skubbe eller bugserer scooteren.



- **Sæt aldrig scooteren i Push stilling når den er parkeret på et skrånende underlag. Hvis scooteren parkeres på en for stejl skråning, kan den rulle nedad.**
- **Efter endt bugsering skal Frikoblings håndtag straks føres tilbage til Drive stilling.**
- **Frikoblings håndtaget må kun befinde sig i Push stilling når scooteren skubbes. I Drive stillingen er den automatiske parkeringsbremse indkoblet.**



3.4 Tænde scooteren

Sæt nøglen i tændinglåsen og drej den en kvart omgang.



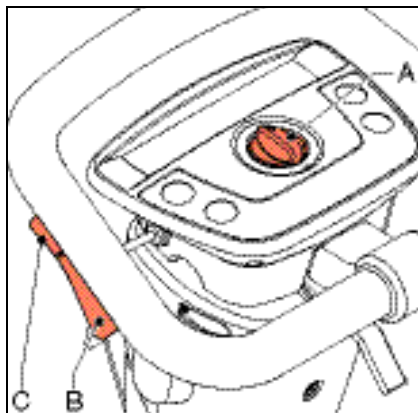
Hvis systemet finder en elektrisk fejl, vil batteridisplayet blinke. Scooterens elektroniske styring vil være blokeret.



Undersøg om bremseknappen (ekstra udstyr) er aktiveret.



Sørg for at der ikke hænger andre nøgler eller tunge genstande i nøgleringen før du kører. Derved forhindres at nøglen ved et uheld drejer sig under kørslen og dermed slukker for scooteren.



3.5 Kørslen



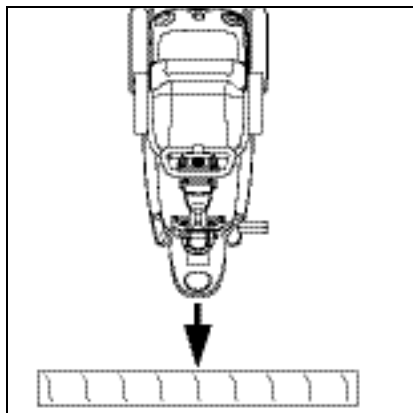
- På en scooter er du en af de “bløde trafikanter”. Vær altid opmærksom på, at ikke alle andre trafikanter får øje på dig. Overhold altid færdselsreglerne.
- Undgå færdsel på øde steder, så hjælp kan nå hurtigt frem hvis uheldet skulle være ude.
- Benyt for din sikkerheds skyld altid hofseselen

Køre fremad

1. Tænd scooteren, se 3.4.
2. Vælg den ønskede max. hastighed (A).
3. Klem forsigtigt foroven på den valgte gasknap (B) – højre eller venstre. Jo længere gasknappen presses ind, desto hurtigere kører du.

Køre baglæns

1. Slip gasknappen og scooteren vil standse.
2. Klem forsigtigt fornedet på den valgte gasknap (C). Scooteren vil nu bakke.
3. Når gasknappen slippes, vil den automatiske holdebremse koble ind.



3.6 Forhindringer

Om at køre op på niveauforskelle

1. Kør altid lige på en op- eller nedkørsel.
2. Tryk gasknappen langsomt ind. Kør nu lige op på fortovet uden at dreje før du er helt oppe.
3. Når først forhjulet er oppe på fortovet, skal du holde farten indtil også baghjulene er kommet op. Hvis det ikke lykkes at komme op på fortovet, søg da en anden, lavere opkørsel.

Om at køre ned ad niveauforskelle

1. Kør lige frem mod fortovskanten.
2. Tryk gasknappen langsomt ind. Kør nu ned fra fortovet uden at dreje før du er helt nede.



- **Kør aldrig ned ad trapper!**
- **I nødsfald: Slip omgående gasknappen. Scooteren vil standse af sig selv.**

3.7 Kørsel i ujævnt terræn



- Sluk for scooteren ved tændingsnøglen før du stiger ind eller ud! Herved sikrer du at scooteren ikke kører hvis du ved et uheld kommer til at berøre gasknappen.
- Den stejleste skråning som kan forceres med fuld last 160 kg er 10° ISO 7176-2.

Om at køre op ad bakke



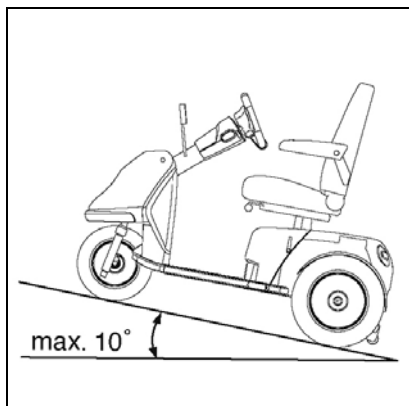
- Prøv aldrig at køre på steder som skråner mere end 10°.
- Kør altid i roligt tempo og vær opmærksom på om terrænet skråner.
- Kør aldrig op ad en skråning med grus eller anden løs overflade, da der her vil være risiko for at et hjul mister vejgrebet, og scooteren kommer ud af kontrol.
- Undgå pludselige bevægelser i ryk.
- Undgå at svinge eller skifte retning mens du kører op ad en skråning. Hvis du oplever at køretøjet mister kraft på vej op, vælg en mere flad rute.
- Der er risiko for overbelastning hvis du forsøger at køre op ad en for lang bakke.

Om at køre ned ad bakke



- Drej altid hastighedsvælgeren til laveste fart når du skal køre ned af en bakke og kør så roligt som muligt med stor forsigtighed.
- Det kan være farligt at skifte kørselsretning på en bakke.

- Læn dig bagover mod ryglænet og brems altid forsigtigt. Hvis der bremses brat ned ad en bakke, kan det få scooteren til at tippe forover.



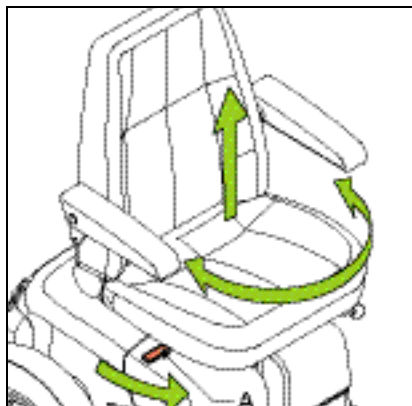
Om at køre i sving



- Kør aldrig i et sving med fuld fart. Sæt farten ned inden du drejer!
- Benyt blinklys når du drejer.



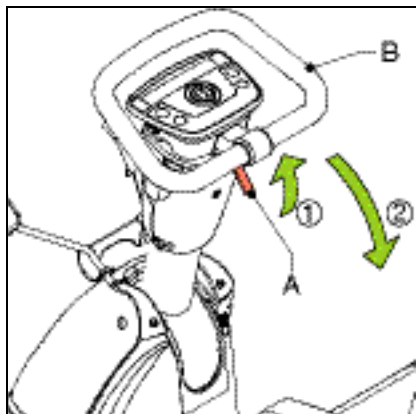
Sæt hastighedsvælger til langsom inden der foretages en vanskelig drejning.



Advarsler



- Kør altid forsigtigt i glat føre!
- Scooteren må ikke udsættes for saltvand, som kan beskadige den.
- Scooteren må ikke udsættes for sand. Sand kan beskadige de bevægelige dele og forårsage unødvendig slid.
- Kør aldrig scooteren, hvis du er påvirket af narko, alkohol eller medicin som kan påvirke din evne til at føre køretøj.
- Føreren skal have tilstrækkelig synsevne til sikkert at kunne føre scooteren.
- Tænd altid kørellys ved nedsat sigtbarhed.
- Kørsel i høj fart kræver ekstra forsigtighed. Vælg lavere fart ved kørsel på fortov, gågader mv.
- Pas på at der ikke er løst tøj eller andre løse genstande som kan komme ind i køretøjets hjul.



3.8 Sammenpakke scooteren

Afmontere sædet

1. Før håndtag (A) frem.
2. Løft sædet ud af røret det sidder i.
Det er lettere at løfte sædet op hvis du drejer det fra side til side mens det løftes op.

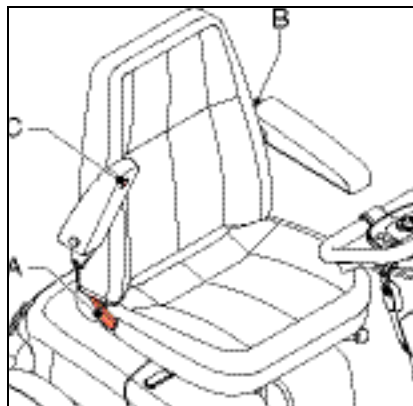
Lægge styrkonsollen ned

Træk i håndtag (A) og læg konsollen ned (B).

3.9 Transport

Scooteren kan tages med i en bil. Den enkleste måde er benytte et sæt køreslisler til at skubbe scooteren op i bilen.

Man kan også løfte scooteren op – der skal være mindst to personer hertil.



- Det er ikke tilladt at sidde på scooteren under transport i en bil; end ikke hvis den pågældende bil er indrettet til transport af scootere og kørestole. Brugeren skal skifte til et af bilens sæder og anvende bilens monterede selesystemer. Årsagen hertil er at en scooter ikke yder den samme grad af beskyttelse som et typegodkendt autosæde, uanset hvor grundigt scooteren er fastspændt i bilen.
- Når scooteren er placeret i en bil, skal Frikoblingshåndtaget være placeret i Drive position.
- Scooteren skal fastgøres med surringsstropper i de dertil mærkede surringpunkter foran og bagpå.

3.10 Indstilling af sædet

Ryglæn

1. Sæt dig op i sædet og træk i håndtag (A). Ryglænet vil nu glide fremad.
2. Pres ryglænet bagud ved at læne dig op ad det indtil den mest komfortable stilling er nået. Skub nu håndtaget (A) nedad for at fastlåse ryglænet i den valgte position.



Udløs aldrig ryglænet uden at nogen sidder i sædet, da ryglænet ellers vil springe frem med stor kraft.

Nakkestøtten

Indstil nakkestøtten til den ønskede højde.

Lændestøtten

Sæt dig i sædet og drej i håndhjulet (B) frem eller tilbage indtil du opnår den ønskede lændestøtte.

Armlæn

Drej rullen (C) indtil armlænet står i den ønskede vinkel / højde.



Når ryglænets vinkel justeres, ændres armlænenes position.

3.11 Andre indstillinger

For at sikre en optimal siddestilling såvel som en afslappet holdning i arme og skuldre, har forhandleren mulighed for at tilpasse:

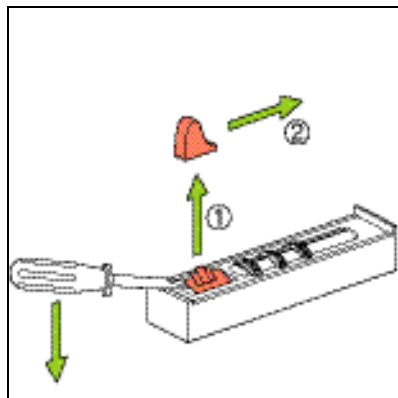
- Sædets højde
- Styr-konsolets højde
- Styr-konsolets vinkel
- Støddæmpning (scooterens affjedring)

3.12 Kodning af kombinationslåsen

Koden er fra fabrikken sat til: 0-0-0

Ændre koden

1. Fjern låget (1) ved hjælp af et lille skarpt værktøj.
2. Skub udløserknappen (2) ind mod nummerhjulene.
3. Hold udløserknappen i denne stilling medens du drejer nummerhjulene til din personlige kode.
4. Husk denne kode!
5. Slip udløserknappen og din kode er nu sat.
6. Tryk låget (1) helt fast igen.
7. Kurven åbnes og løftes op ved at skubbe knappen over mod 'open'.



- 8.
- 9.

4 Vedligeholdelse

4.1 Service plan

Det anbefales at scooteren hver 12. måned – eller oftere ved stort kørselsbehov – gennemgår et serviceeftersyn hos forhandleren. Den nedenstående serviceplan viser den vedligeholdelse du selv kan varetage:

Frekvens	Beskrivelse
Daglig	Ladning efter hver køretur, se 4.2.
Ugentlig	Tjek dæktryk. Pump hvis behov, se 4.3
Månedlig	Rengør scooteren, se 4.4.
	Rens polster, hvis behov, se 4.4.
	Kontroller batterier (om sommeren: hver 2. uge. Om vinteren: hver måned), see 4.2
Hver 3. måned	Smør sædets drejesøjle.

4.2 Batterier

Scooteren er forsynet med forseglede gel batterier, som er vedligeholdelsesfri.



“Våde” bly / syre batterier må ikke monteres.

Ladning af batterier

Læs betjeningsvejledning for den benyttede batterilader.

Ved normal brug af scooteren skal batterierne lades hver nat.

1. Sluk scooteren.
2. Sæt laderens stik ind i kørestolens ladebøsning, se afsnit 2.2.

3. Sæt laderens netstik i vægkontakten og tænd.

Når batterierne er opladede:

1. Træk stikket ud af ladebøsningen.
2. Sluk for strømmen og træk stikket ud af vægkontakten.



- **Så snart stikket er sat i ladebøsningen afbrydes scooteren automatisk.**
- **Tag altid ladekabelt ud når opladningen er slut. Derved undgås langsom afladning af batterierne.**
- **Afbryd batterierne i tilfælde af at produktet ikke skal bruges i længere tid.**
- **Der opfordres til at installere en røgalarm i det opladning rum/område.**

Vedligeholdelse af batterier

Der henvises til batterileverandørens instruktioner.



- **Batterierne skal altid oplades fuldt ud.**
- **Benyt aldrig scooteren hvis batterierne er næsten tomme og køр aldrig scooteren indtil batterierne er helt tomme. Det vil kunne beskadige batterierne, og du kan opleve uønsket driftsstop.**

Rengøring af batterier

Hold batterier rene og tørre. Snavs og væske kan forårsage utætheder og nedsætte batteriets kapacitet. Efter rengøring kan polerne smøres ind i syrefri vaseline.

Udskiftning af batterier

Når batteriernes kapacitet er faldet til et niveau hvor scooteren kun klarer korte ture, er deres levetid udløbet. Batterierne skal udskiftes så hurtigt som muligt med et batteri med same specifikationer som de originale. Kontakt eventuelt forhandleren herom.

4.3 Kontrol og pumpning af dæk



- **Sørg for dæk altid er pumpet med det korrekte tryk.**
- **Dæktryk må aldrig overstige det angivne dæktryk.**

Pump dæk med en fodpumpe eller med en cykelpumpe ved hjælp af den sammen med scooteren leverede ventilnippel. Man kan også pumpe dækkende på den nærmeste benzin station.

- Dæk tryk forhjul: 2.4 bar
- Dæk tryk baghjul: 2.2 bar

4.4 Rengøring af scooteren

Rense tør snavs

Polster, metal dele og ramme lader sig normalt let aftørre med en tør, blød klud.

Rense mudder og andet vådt snavs

Beskidte områder kan afvaskes med en våd svamp og derefter aftørres med en tør, blød klud.

Rense poster

Rens sædebetræk med en fugtig klud og sædvanlig mild sæbe. Aftørres med en tør, blød klud.



- **Brug aldrig slibende eller aggressive rengøringsmidler. Det vil kunne ridse scooterens overflader.**

- **Brug aldrig organiske opløsningsmidler så som fortynder, benzin, eller sprit.**
- **Vær forsigtig med at bruge vand ved scooterens elektriske dele.**
- **Polster må ikke kemisk renses, stryges eller udsættes for tørre tumbler.**

5 Fejlfining

5.1 Fejlfindingseskema

Hvis scooteren ikke fungerer på trods af at batterierne er fuldt opladte, tjek nedenstående punkter før du kontakter din forhandler:

1. Sluk scooteren og tænd den igen.
Tjek om problemet er løst.
2. Underørg om laderstik er rigtigt forbundet.
3. Undersøg om frikoblingen står i DRIVE position (ikke i NEUTRAL).
4. Undersøg om fartvælger står i den ønskede stilling.
5. Hvis scooteren stadig ikke virker, og batteridisplayet blinker kan du i nedenstående tabel afkode den mulige årsag til fejlen. Dette kan være til god hjælp for forhandleren.

Antal lamper	Fejlbeskrivelse	Løsning
6	Scooteren er forbundet til ladeapparatet.	Træk ladestikket ud af ladebøsningen og forsøg at starte igen.
7	Gasknap fejl.	Kontroller at ingen af gasknapperne er aktiverede når scooteren tændes. Frigør gasknappen og forsøg at starte igen.

I alle andre tilfælde: Kontakt forhandleren eller fagpersonel.

6 Tekniske specifikationer

Model		Trophy 3W	Trophy 4W	Trophy Alpine
Max. burger vægt	kg	160	-	-
Total længde	mm	1400	-	-
Total brede	mm	660	-	-
Total vægt uden batterier	kg	155	166	155
Transport vægt for tungeste dele, adskilt	kg	90	101	90
Statisk stabilitet nedkørsel	°	15	-	-
Statisk stabilitet opkørsel	°	15	-	-
Statisk stabilitet sideværts	°	15	-	-
Rækkevidde (ISO 7176) 85 Ah batterier	km	60	-	-
Rækkevidde (ISO 7176) 56 Ah batterier	km	40	-	-
Dynamisk stabilitet på hældninger	°	14	-	-
Klatreevne max. forhindring	mm	100	-	-
Start på en skråning	°	10	10	14
Maximum hastighed frem	km/u	15	15	11
Minimum bremselængde v/ max. hastighed	mm	2100	-	-
Idem, maximum	mm	2200	-	-
Sæde vinkel	°	2	-	-
Effektiv sædedybde	mm	440	-	-
Effektiv sædebredde	mm	460	-	-
Sædehøjde foran, minimum	mm	420	-	-
Idem, maximum	mm	550	-	-
Rygvinkel, minimum	°	90	-	-
Idem, maximum	°	180	-	-
Ryg højde	mm	550	-	-
Armlæn højde, minimum	mm	180	-	-
Idem, maximum	mm	220	-	-
Fokant armlæn til ryglæn	mm	260	-	-
Minimum venderadius	mm	1250	1480	1250
Forhindringsevne max. forhindring	mm	100	-	-
Frihøjde	mm	70	-	-
Krævet vendeplads	mm	1650	1940	1650

Batterier	
Maximum dimensioner batterier	334x178x253 mm
Batteri type	Gel/AGM
Scooter vægt incl batterier	170 kg
Maximum batteri kapacitet	86 Ah
Maximum batteri kapacitet ved 5 timers ladning	27.5 Ah
Maximum tilladte ladespænding	13.6 V
Maximum tilladte ladestrøm	10 A
Stik type	A DIN 72311

Hjul og dæk	
Diameter fordæk	12.5" x 2.25"
Diameter bagdæk	3.00x10
Dæktryk for	2.4 Bar
Dæktryk bag	2.2 Bar

Betjenings kraft krævet	
Gasknapper	< 60 N
Trykknapper, på styrkonsol	< 13.5 N
Parkerings bremse	< 60 N
Sætte ladestik i bøsning	< 60 N

Norsk

© 2016 Sunrise Medical

Alle rettigheter forbeholdt.

Informasjonen i denne manualen kan ikke gjengis og/eller publiseres i noen form, ved trykk, kopiering, mikrofilm eller i noen som helst annen form, det være seg elektronisk eller mekanisk, uten på forhånd å ha innhentet skriftlig tillatelse fra Sunrise Medical.

Informasjonen som er gitt her er basert på generelle data vedrørende konstruksjonen kjent på tidspunktet for publisering av denne manualen. Sunrise Medical har en policy om kontinuerlig forbedring og forbeholder seg retten til å utføre endringer og modifikasjoner.

Den gitte informasjonen gjelder for produktet i sin standardversjon. Sunrise Medical kan ikke holdes ansvarlig for mulige skader som skyldes spesifikasjoner til produktet, avvikende fra standardkonfigurasjonen. Det kan være visse avvik i illustrasjonene i denne brukermanualen og konfigurasjonen til ditt sittesystem.

Den tilgjengelige informasjonen er blitt preparert med all mulig grundighet, men Sunrise Medical kan ikke holdes ansvarlig for mulige feil i informasjonen, og konsekvenser av slike feil. Sunrise Medical påtar seg ikke noe ansvar for tap som skyldes arbeid utført av tredjepart.

Navn, salgsnavn osv. som brukes av Sunrise Medical skal ikke, i henhold til lovgiving vedrørende beskyttelse av salgsnavn, anses å være tilgjengelige.

Innledning	56
1 Sikkerhet	61
1.1 Generelt	61
1.2 Angivelser på scooteren.....	61
1.3 Elektronisk sikkerhet	61
2 Generell beskrivelse	62
2.1 Beskrivelse av Trophy.....	62
2.2 Hovedkomponenter.....	63
2.3 Kontroller.....	63
3 Bruk	68
3.1 Kontroll før kjøring.....	68
3.2 På- og avstigning	69
3.3 Fri-håndtak.....	69
3.4 Scooteren slås på	70
3.5 Kjøre	70
3.6 Fortau.....	71
3.7 Bruk	71
3.8 Scooteren legges sammen	73
3.9 Transportere scooteren.....	73
3.10 Innstillingsmuligheter.....	73
3.11 Justeringsmuligheter	74
3.12 Kodelåsens kode	74
4 Vedlikehold	75
4.1 Vedlikeholdstabell	75
4.2 Batteri's	75
4.3 Kontrollere og pompe opp dekkene	76
4.4 Rengjøre scooteren.....	76
5 Feil	77
5.1 Feiltabell.....	77
6 Tekniske spesifikasjoner	78

Innledning

Denne bruksanvisningen

Ved hjelp av denne bruksanvisningen kan du bruke og vedlikeholde (rengjøre) scooteren på trygg måte. Kontakt alltid forhandleren hvis det oppstår tvil.



Følg instruksjonene ved advarslene! Hvis instruksjonene ikke følges med forsiktighet, kan det føre til legemsskade eller skade på scooteren eller miljøet.

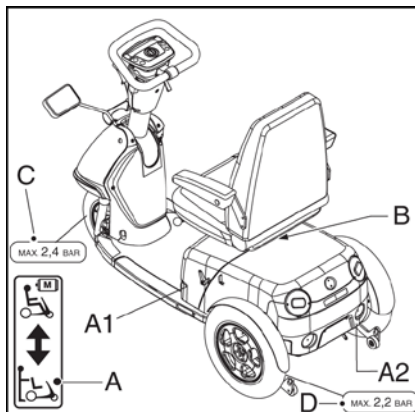
For mer informasjon

Kontakt din kommune eller hjelpemiddelsentral hvis du har spørsmål om rullestolen i forhold til bruk, vedlikehold eller sikkerhet.

Se www.sunrisemedical.eu for informasjon om sikkerhetsvarsler og tilbakekallelser av produkter.

Angivelser på scooteren

- A1 Fri-posisjon Trophy Alpine (og modeller < 2012)
- A2 Fri-posisjon Trophy (hvis ikke A1)
- B Identifikasjonsskilt
- C Dekktrykk forhjul
- D Dekktrykk bakhjul



Service og teknisk støtte

Ta kontakt med forhandleren for informasjon om spesifikke innstillinger, vedlikehold eller reparasjon. Opplys alltid om type, årsmodell og identifikasjonsnummer, som står på scooterens identifikasjonsskilt. Det finnes en servicehåndbok for forhandlere.

Data identifisasjonplaatje

- A Type
- B Årsmodell
- C Identifikasjonsnummer
- D Bruksområde inne eller ute
- E Maksimal belastning i kg

The diagram shows a rectangular identification plate with the following fields and labels:

- A** points to the 'TYPE/TYPETYP:' field.
- B** points to the 'YEAR/JAAR/JAHR:' field.
- C** points to the 'IDNR.:' field.
- D** points to the 'USAGE:' field.
- E** points to the 'MAX.LOAD/MAX.%LASTB./ZUL.GESAMTGEW.' field.

Other fields on the plate include 'GEBRUIKS/GEBIED:', 'GEBRAUCHSGEBIET:', and 'GEBRAUCHSGEBIET:'. The number '010007010' is printed at the bottom right of the plate.

CE-erklæring



Produktet oppfyller bestemmelsene i direktivet for medisinsk utstyr og er CE-merket.

Godkjenning

Produktet oppfyller følgende krav:

- EN12184 (1999) Elektrisk drevne rullestoler og scootere, klasse C.
- ISO7176-8 Krav til statisk styrke, slagstyrke og utmattelsesstyrke.
- ISO7176-9 Klimaprøver for elektriske rullestoler og scootere.
- ISO7176-14 Kraftoverførings- og kontrollsystemer for elektriske rullestoler – Krav og prøvningsmetoder.
- ISO7176-16 Krav til motstand mot antenning.

Produktet er EMC-godkjent (elektromagnetisk kompatibilitet) i samsvar med EN12184 (1999).

Garantibestemmelser

Definisjon av begreper

Definisjoner av begreper som er brukt i denne garantien:

- Bruker: De som bruker produktet.
- Defekt: Alle betingelser som fører til at produktet ikke er egnet for bruk, som følge av en kvalitetsmangel i materialet som er brukt til å fremstille produktet eller en kvalitetsmangel i produksjonsprosessen.
- Del: Del av produkt som kan skiftes eller erstattes. Dette kan være tilleggsutstyr, tilbehør, en servicedel eller en forbruksdel.
- Forbruksdel: Del som utsettes for naturlig slitasje eller naturlig tilsmussing under normal bruk innenfor produktets levetid (del 9 av Sunrise Medical HCM B.V.s generelle salgsvilkår og betingelser).
- Forhandler: De som selger produktet til brukeren.
- Garanti: Rettigheter og forpliktelser ifølge dette dokumentet.
- Garantiperiode: Tidsrommet garantien er gyldig i.
- Garantist: Sunrise Medical HCM B.V., Vossenbeemd 104, 5705 CL Helmond, Nederland (også referert til som Sunrise Medical).
- Klient: De som kjøper produktet direkte fra Sunrise Medical.
- Korrigerende tiltak: Reparasjon, erstatning eller refundering av produktet.
- Produkt: Produktet som leveres i henhold til brosjyre eller kontrakt (f.eks. rullestol, skuter, batterilader osv.).
- Returer: Produkter eller deler som må returneres.
- Returprosess bruker: Fremgangsmåte ved retur av varer. Kontakt forhandleren.
- Returprosess klient: Fremgangsmåte ved retur av varer, kontakt kundeservice hos Sunrise Medical.
- Ettersalgs servicedel: Del, kjøpt inn etter opprinnelig produkt, som er holdbar og som kan bli utsatt for naturlig slitasje eller naturlig forurensning ved normal bruk i produktets levetid.
- Tillegg: Et tilbehør levert sammen med opprinnelig produkt av Sunrise Medical for utvidelse av standard produktmodell.

Klientens og/eller brukerens rettigheter overfor Sunrise Medical i tilfelle feil er begrenset til vilkårene som er beskrevet i denne garantien, uavhengig av Sunrise Medicals, klientens og brukerens rettigheter og forpliktelser som beskrevet i Sunrise Medicals generelle salgsvilkår. Sunrise Medical garanterer at produktet er uten feil i garantiperioden.

Hvis det oppstår feil, skal brukeren kontakte forhandleren innen to uker at feilen ble oppdaget. Returskjema skal fylles ut, og produktet eller delen skal returneres via returprosessen. Sunrise Medical vil etter egen vurdering iverksette egnede tiltak for de aktuelle omstendighetene innen rimelig tid (avhenger av kravets natur) etter at utfylt returskjema er mottatt. Garantiperioden forlenges ikke etter reparasjon eller utbedring.

Garantiperiodetabell

Beskrivelse	Garantiperioder	Eksempler omfatter, men er ikke begrenset til delene nedenfor
Ramme	2 år	Sveiser/ramme
Drivsystem*	1 år	Girkasse, motor, motorbrems
Elektronikk*	1 år	Styreboks, styremekanisme, ledningsnett, elektroniske komponenter
Ettersalgsservicedeler	Nye: 1 år etter fakturadato Reparert: 90 dager etter fakturadato	Bremser
Forbruksdeler	40 dager etter faktura	Karbonbørster osv.
Tillegg/tilbehør	2 år	Speil, skvettlapper osv. Levert sammen med opprinnelig produkt

*også ved levering av reservedeler

Sunrise Medical godtar kun fraktkostnader og kostnader til utbedringer i forbindelse med garantikrav på utstyr i garantiperioden.

Garantiens gyldighet oppheves i tilfelle:

- Produktet og/eller delene av det er endret.
- Endringer i utseendet som følge av bruk:
- Instruksjonene for bruk og vedlikehold ikke er fulgt, hvis produktet er brukt på annen måte enn normal bruk, slitasje, uaktsomhet, indirekte skade som følge av at tidligere symptomer er ignorert, ulykker med tredjepart, bruk av uoriginale deler samt feil som ikke er forårsaket av produktet.
- Omstendigheter som er utenfor vår kontroll (flom, brann osv.).

Garantien dekker ikke følgende:

- Dekk og slanger
- Batterier (dekkes av batteriprodusentens garanti).

Klienter og/eller brukere har juridiske (lovpålagte) rettigheter ifølge gjeldende nasjonal lover for salg av forbrukerprodukter. Denne garantien påvirker ikke lovpålagte rettigheter, disse rettighetene kan ikke ekskluderes eller begrenses, inkludert rettigheter overfor enheten som produktet ble kjøpt fra. Klienter kan kreve sine rettigheter etter egen vurdering.

Ansvarsbestemmelser

Uansett hva som bestemmes om ansvar i de generelle vilkårene som gjelder for Produktet, gjelder i alle fall følgende vedrørende ansvar:

1. Med iakttagelse av bestemmelsene nevnt nedenfor, aksepterer Sunrise Medical kun ansvar for skade ved død eller legemsskade hvis det skyldes en mangel ved Produktet som Sunrise Medical er ansvarlig for, og for skade på en annen gjenstand som er privateiendommen til brukeren av Produktet, forutsatt at skaden er en direkte følge av en mangel ved Produktet. Sunrise Medicals ansvar er i hvert fall begrenset til beløpet som i så fall vil bli betalt av Sunrise Medicals ansvarsforsikrer.
2. Sunrise Medical aksepterer ikke annet eller videre ansvar enn det som beskrives i punkt 1. Sunrise Medical aksepterer uttrykkelig ikke ansvar for følgeskader, uansett form.

Brukte scootere og miljøet



Hvis scooteren blir overflødig eller skal skiftes, kan den som regel tas tilbake av forhandleren etter at du spør om det. Hvis det ikke er mulig, informerer du hos din hjemstedskommune om mulighetene for gjenbruk eller miljøvennlig behandling av de brukte materialene.

Til produksjonen av scooteren benyttes diverse kunststoffer og metaller. Dessuten inneholder scooteren elektroniske komponenter som er elektronisk avfall. Batteriene er kjemisk avfall.

1 Sikkerhet

Fabrikanten Sunrise Medical aksepterer ikke noe ansvar for skade eller legemsskade som skyldes at sikkerhetsforskriftene ikke overholdes til punkt og prikke, eller som skyldes uaktsomhet under bruk og rengjøring av scooteren og eventuelt tilhørende ekstrautstyr. Avhengig av de spesifikke bruksforholdene eller anvendt tilbehør kan ekstra sikkerhetsinstruksjoner være nødvendig. Kontakt forhandleren umiddelbart hvis du oppdager en mulig fare ved bruk av scooteren.

1.1 Generelt



- **Brukeren av scooteren er til enhver tid ansvarlig for at gjeldende sikkerhetsforskrifter og retningslinjer blir overholdt.**
- **De tekniske spesifikasjonene må ikke endres.**
- **Det er ikke tillatt å modifisere (deler av) scooteren.**

1.2 Angivelser på scooteren



- **Angivelser, symboler og instruksjoner som er festet til scooteren utgjør en del av sikkerhetsanordningene. De må ikke dekkes til eller fjernes. De må være festet til scooteren og godt leselige under hele scooterens levetid.**
- **Skift eller utbedre straks uleselige eller skadde angivelser, symboler og instruksjoner. Kontakt forhandleren.**

1.3 Elektronisk sikkerhet

- Standardutførelsen av scooteren er testet etter de strengeste EMC-kravene. Mobil telefoni har ingen innflytelse på kjøring med scooteren.
Ved bruk av en mobiltelefon i nærheten av en scooter med spesielle tilpasninger, må du slå av scooteren først.
- Scooteren kan påvirke elektromagnetiske felt, slik som alarmsystemer.
- Hvis scooterens elektronikk ikke er godt avskjermet, kan det påvirke følsomme elektriske apparater, slik som bl.a. butikkalarmer og garasjeåpnere. Scooteren er testet for dette. Hvis det allikevel skulle oppstå slike problemer, bes du opplyse forhandleren om dette umiddelbart.

2 Generell beskrivelse

2.1 Beskrivelse av Trophy

Trophy er en elektrisk drevet scooter for utendørs bruk over lengre avstander. Den unike fjæringen, stabiliteten og svingegenskapene sørger for fremragende kjøreegenskaper og maksimal komfort. Trophy har mange innstillingsmuligheter og kan avpasses etter dine ønsker. Det oppnås derved en avslappet stilling for hender og skuldre. Det oversiktlige betjeningspanelet kan betjenes med venstre og/eller høyre hånd med svake betjeningskrefter. Trophy er en scooter for maksimal uavhengighet!

Trophy er konstruert for:

- Transport av personer med en vekt på inntil 160 kg.
- Bruk på veier, fortau, stier og sykkelstier med fast dekke.
- Bruk i og i nærheten av hjemmet.

Forhandleren må gi deg en forsvarlig bruksinstruksjon før du deltar selvstendig i trafikken.

Du må være i stand til å korrigere følgen av handlinger mens du kjører med scooteren.

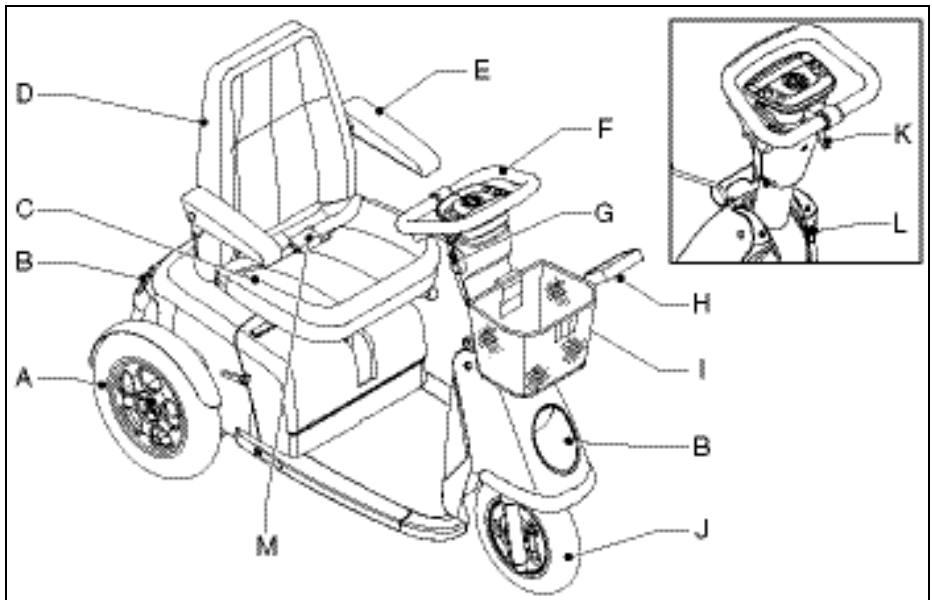
Den første bruken av scooteren må foregå under veiledning fra en trener/instruktør. Scooteren er ikke et kjøretøy i henhold til veitrafikkloven.

Trophy har en maksimal hastighet på 15 km/t.

Hvis du bruker scooteren utenfor bruksområdet, aksepterer Sunrise Medical overhodet ikke ansvar for skade eller legemsskade som skyldes en annen bruk enn det scooteren er utviklet og konstruert for.



Du må kjenne innholdet i denne bruksanvisningen før du kjører med scooteren.



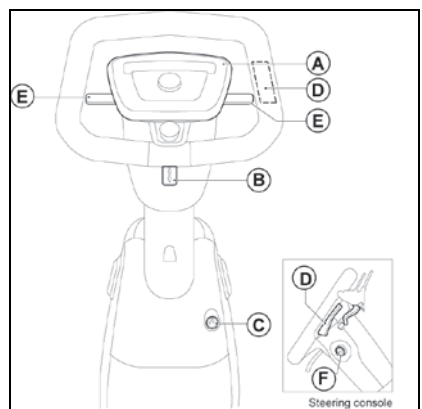
2.2 Hovedkomponenter

- | | | | |
|---|--------------------|---|---|
| A | Bakhjul | H | Speil |
| B | Lys | I | Kurv |
| C | Sete | J | Forhjul |
| D | Rygglene | K | Vinkeljustering styresøyle |
| E | Armlene | L | Ladetilkopling for batteriene |
| F | Styre med dashbord | M | Hoftebelte, som monteres av forhandleren (opsjon) |
| G | Tenningslås | | |

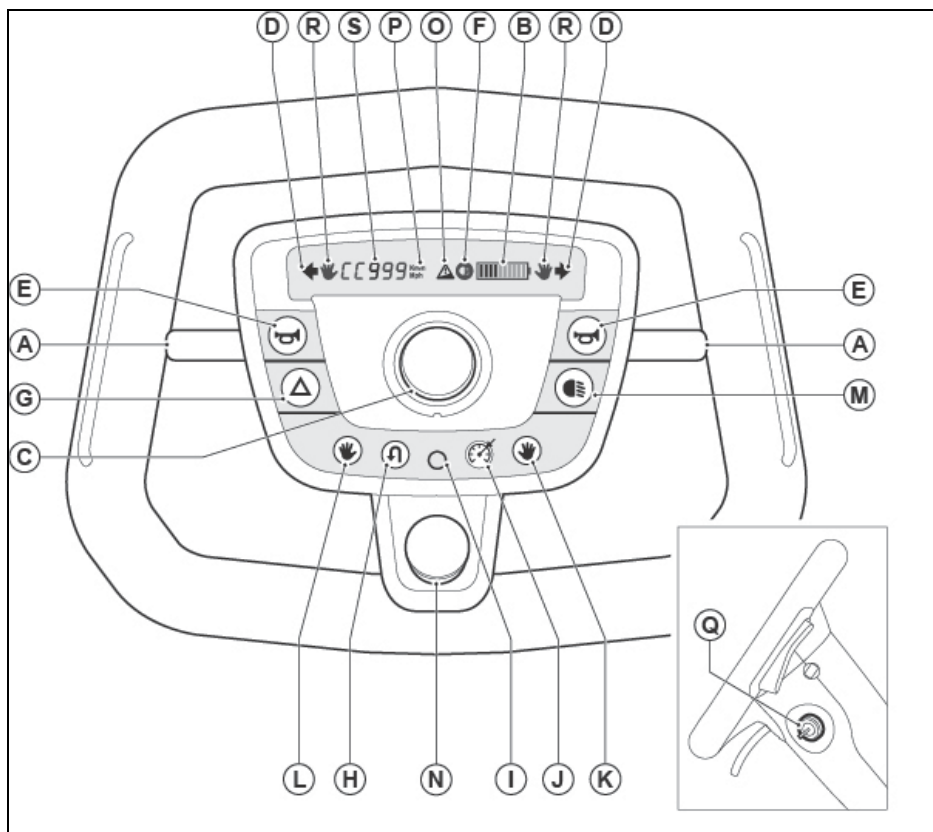
2.3 Kontroller

Scooteren har følgende kontroller

- A Kontrollpanel med alle styrespakene
- B Håndtak for justering av vinkelen til rattstammen.
- C Ladepunkt. Se "Lade batteriene".
- D Spaker for kjøring forover eller bakover
- E Blinklysspak
- F Tenningsnøkkel



Generell beskrivelse







Kontrollpanelet er utstyrt med den siste teknologien og tilbyr funksjoner som er både nyttige og pålitelige for å betjene din scooter.

- A Blinklysspak, venstre og høyre *
- B Batteriindikator
- C Hastighetsregulator
- D Indikator for varselblinklys / blinklys
- E Bryter til horn*
- F Indikator for lys
- G Varselblinklysbyrter
- H Reversbryter for gasspedal (hvis relevant)
- I Bryter for valg av skjermmeny
- J Cruisekontrollbryter (hvis relevant)
- K Bryter for høyre gasspak (hvis relevant)

- L Bryter for venstre gasspak (hvis relevant)
- M Lysbryter
- N Nødstoppknapp (hvis relevant)
- O Indikator for bakkealarm
- P Lyssensor
- Q Tenningsnøkkel
- R Indikator for aktiv gasspak (hvis relevant)
- S Display

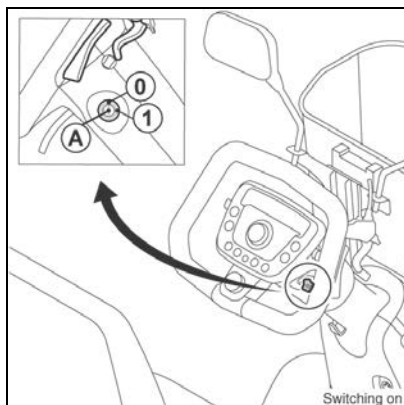
* Disse knappene finner du både på venstre og høyre side av kontrollpanelet.

	<p>A Blinklysspaker, venstre / høyre</p> <p>Ved å trykke på tasten (på venstre eller høyre side) begynner blinklyset å blinke for å indikere at du kommer til å svinge:</p> <p>Skyv den venstre tasten nedover eller den høyre tasten oppover for å svinge til venstre.</p> <p>Skyv den venstre tasten oppover eller den høyre tasten nedover for å svinge til høyre.</p> <p>Du hører et lydsignal når blinklyset er slått på (hvis programmert).</p> <p>For å slå av blinklysene, må du trykke på samme tast i samme retning igjen, eller vente 12 sekunder.</p>
	<p>B Batteriindikator</p> <p>Batteriindikatoren gir en generell indikasjon på batteristatusen. Batteriene er fulladet når alle lysene lyser. Når batteriet lades ut, går lysene ut ett etter ett og går over til rødt når batteriet er nesten helt utladet. Indikatorlysene angir batterispenningen til styreenheten. Det er normalt at den nederste indikatoren slukkes når scooteren øker hastigheten. Årsaken til dette er at scooteren i en kort periode trenger mer strøm, hvilket fører til en reduksjon av tilgjengelig spenning. Denne kortvarige reduksjonen er ikke en korrekt indikasjon av batterikapasiteten. Når scooteren brukes for første gang, kan det hende at batteriindikatoren viser at batteriene er fulladede, selv om dette ikke er tilfelle. Dette er karakteristisk for batteriene. Den mest nøyaktige indikasjonen av batterinivået får du dersom du kjører på et flatt underlag.</p> <p>⚠ Hvis bare de RØDE lysene lyser på batteriindikatoren, er det viktig at batteriene lades opp så snart som mulig. Pass på at batteriene aldri går helt tomme. Dette reduserer levetiden til batteriene og kan skade dem.</p> <p>Når lysene er kontinuerlig i bevegelse, betyr det at batteriene lades.</p> <p>Batteriindikatoren gir også feilmeldinger fra kontrollen. Forhandleren kan ved hjelp av denne feilmeldingen analysere problemet.</p>
	<p>C Hastighetsregulator</p> <p>Ved hjelp av denne bryteren kan du stille inn ønsket maksimumshastighet for scooteren din i 10 trinn. Maksimumshastigheten økes ved å vri på bryteren med urviseren. Når du vrir på bryteren mot urviseren, reduserer maksimumshastigheten. Juster hastighetsregulatoren før du kjører. Tilpass maksimumshastigheten etter omgivelsene og trafikforholdene (f.eks. til en begrenset rekkevidde eller til et rom fullt av mennesker).</p>
	<p>D Indikator for varselblinklys / blinklys</p>
	<p>E Hornbryter</p> <p>Trykk på én av signalhornknappene for å lage en varsellyd for å advare andre om farlige situasjoner.</p> <p>Signalhornet utsteder lyd så lenge du trykker inn knappen.</p>

Generell beskrivelse

	<p>F Indikator til lys Denne indikatoren aktiveres når lysene slås på.</p>
	<p>G Varselblinklysbytter Hvis du trykker på denne knappen, slås varselblinklysene på. Varselblinklysene må brukes hvis du mistenker at du ikke vil bli sett av andre trafikanter, eller hvis scooteren har stoppet opp. Hvis du trykker på denne knappen én gang til, slås varselblinklysene av. Du hører et lydsignal når varselblinklysene slås på (hvis programmert).</p>
	<p>H Reversbryter for gasspedal (hvis relevant) Knapp for å endre retning når gasspedalen er installert. Etter å ha slått av scooteren med nøkkelen eller nødstoppen, er standardretning alltid forover.</p>
	<p>I Bryter for valg av skjermmeny Knapp for å velge mellom ulike skjermmenyer som hastighet, tilbakelagt distanse denne turen og tilbakelagt distanse totalt. Hvis du holder denne knappen inne i mer enn 2 sekunder i trip-modus, vil denne verdien nullstilles.</p>
	<p>J Cruisekontrollbryter (hvis relevant) Nøkkel for å aktivere cruisekontroll og sette hastigheten til gjeldende hastighet framover. Det vil stå CC på skjermen når cruisekontrollen er aktivert. Den deaktiveres automatisk når du bruker bremsen, nødstopppknappen, gassen, gassvalgbyteren eller cruisekontrollbryteren.</p>
	<p>K Bryter for høyre gasspak (hvis relevant) Knapp for å velge/aktivere høyre gasspak manuelt når flere gasspaker er installert. Dette vil også vises på skjermen. Denne vil alltid være aktiv etter at scooteren slås på.</p>
	<p>L Bryter for venstre gasspak (hvis relevant) Knapp for å velge/aktivere venstre gasspak manuelt når flere gasspaker er installert. Dette vil også vises på skjermen.</p>
	<p>Intelligent trottelsbryter (hvis relevant) Etter at scooteren er slått på, vil den første trottelen som brukes, bli aktiv. For å bytte til den andre trottelen er det bare å ta i bruk den andre trottelen og trottelen som brukes for øyeblikket, må frigis i løpet av to sekunder. Intelligent trottelsstyring er kun mulig ved framoverkjøring</p>
	<p>M Lysbryter Trykk knappen én gang for å slå på front- og baklysene. Trykk enda en gang for å slå av lysene.</p>

	<p>N Nødstopknapp (hvis relevant) Trykk for å aktivere nødstopknappen. Scooteren stopper umiddelbart og varselblinklysene slås på. For å deaktivere denne funksjonen, må knappen dreies mot urviseren og scooteren må slås av og så på igjen.</p>
	<p>O Indikator for bakkealarm Denne indikatoren lyser når en bakke er for bratt og overskrider maksimumshelningen som er innstilt. Det anbefales av sikkerhetsmessige grunner å ikke kjøre videre i en slik bakke og kjøre forsiktig tilbake som beskrevet i avsnitt 3.7.</p>
	<p>P Lyssensor Denne sensoren styrer automatisk lysstyrken til skjermen. Daglys → Lyst. Mørke → dimmet.</p>
	<p>Q Tenningsnøkkel For å slå på scooteren må tenningsnøkkelen settes i tenningen og vris om. Alle funksjonene til Trophy 20 kan kun betjenes når tenningsnøkkelen står i tenningen, unntatt lysene og varselblinklysene. Varselblinklysene og lysene kan alltid betjenes, også når nøkkelen ikke er satt i tenningen. Hvis tenningsnøkkelen settes i tenningen og scooteren ikke brukes på en stund, vil du høre et lydssignal etter 20 minutter.</p>
	<p>R Indikator for aktiv gasspak (hvis relevant) Indikerer hvilken gasspak som er aktiv hvis flere er installert. Hvis det kun er installert ett gasssystem, eller gasspedalen er aktiv, vil indikatorene lyse.</p>
	<p>S Display Displayet viser brukerinformasjon som tilbakelagt distanse denne turen (i 0,1 km eller m) og tilbakelagt distanse totalt (i km eller m). Det viser også hastighet i km/t eller Mph og om cruisekontrollen er aktivert ved å vise CC. Hvis verdiene blinker, betyr det at revers er aktivt for gasspedalen. Displayets lysstyrke vil endres automatisk i henhold til omgivelsene.</p>



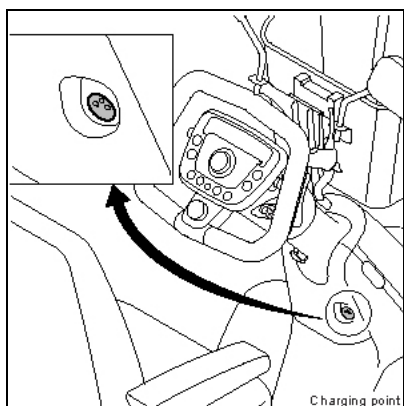
Slå på

Slik slår du på scooteren:

- Sett tenningsnøkkelen så langt som mulig i tenningen (A) og vri den med urviseren mot 1 som indikerer at den er i posisjonen PÅ.

Slik slår du av scooteren:

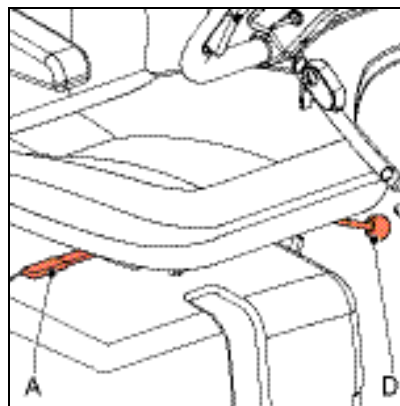
- Vri tenningsnøkkelen så langt som mulig mot urviseren mot 0 som indikerer at den er i posisjonen AV. Ta nøkkelen ut av tenningen (A).



Ladepunkt

- Ladepunktet (A) er plassert på rattstammen, under kontrollpanelet. Det er her du skal koble til kabelen til batteriladeren.

All elektronikk må være slått av når batteriene lades. Ta ut tenningsnøkkelen før du lader batteriene.



3 Bruk

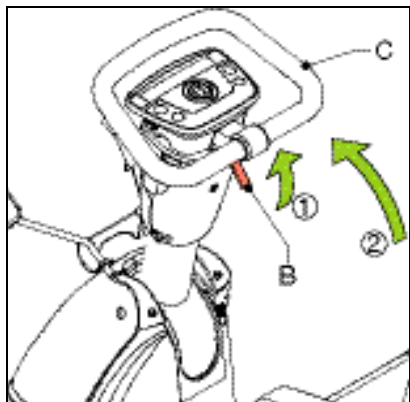
3.1 Kontroll før kjøring

Kontroller følgende før du kjører med scooteren:

- Stolen må være låst (A).
- Lysene og blinklysene må virke.
- Dekkene må ha tilstrekkelig trykk.
- Batteriene må være tilstrekkelig oppladet. De grønne lampene på batteri-indikatoren må lyse.



- Batteriene har lavere kapasitet om vinteren. Ved noen få kuldegrader er kapasiteten ca. 75 % av normal kapasitet. Ved lavere temperatur enn -5°C er det ca. 50 %. Dette reduserer kjørelengden.
- Hvis du merker noe unormalt under kjøringen, slipper du gasshåndtaket og etter at scooteren står stille tar du tenningsnøkkelen ut av tenningslåsen.



3.2 På- og avstigning

1. Pass på at tenningen er av.
2. Sett fri-håndtaket i stillingen KJØRE.

Rattstamme regulering

Trykk inn håndtaket(B) for å justere vinkelen(C)

Dreie setet

1. Beveg håndtaket(A) forover og dreie setet til høyre eller venstre, slipp håndtaket. Setet låser automatisk i 90°.
2. Sett deg over på setet.
3. Dreie setet tilbake i kjørestilling på samme måte som beskrevet i pkt1.

Felle opp armlen

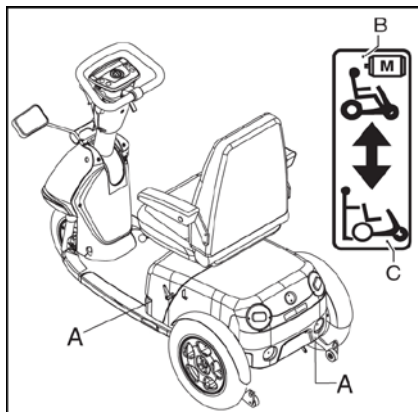
Armlene felles opp for enklere sideveis forflytting

Seteslide

Trekk opp håndtaket(D) og beveg setet fremover/bakover.



Slå av scooteren før du stiger på eller av! Scooteren begynner nemlig å gå hvis du holder deg fast i styret når du stiger på eller av og trykker på gasshåndtaket ved et uhell.

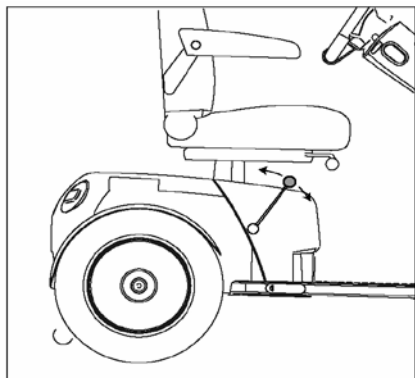


3.3 Fri-håndtak

Sett fri-håndtaket (A) i stillingen KJØRE (B) for å kunne kjøre elektrisk. Sett fri-håndtaket i stillingen SKYVE (C) for å kunne skyve scooteren.



- Scooteren må aldri settes i stillingen SKYVE mens den står parkert i en skråning. Hvis scooteren står i en bratt skråning, kan den trille ned skråningen.
- Sett fri-håndtaket i stillingen KJØRE med det samme scooteren ikke skyves mer.
- Fri-håndtaket må bare stå i stillingen SKYVE hvis scooteren skal skyves. I stillingen KJØRE fungerer den automatiske parkeringsbremsen.



3.4 Scooteren slås på

Sett tenningsnøkkelen i tenningslåsen og vri nøkkelen en kvart omdreining for å slå på scooteren.



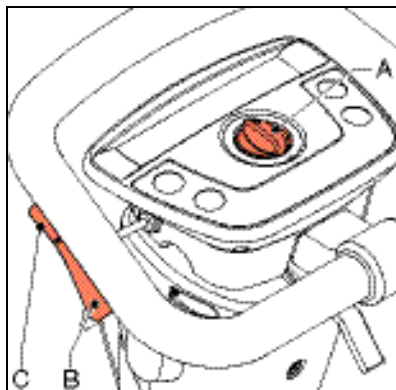
Hvis det konstateres en feil på elektronikken, begynner batteriindikatoren å blinke. Elektronikken blir blokkert.



Pass på at parkeringsbremsen (hvis aktuelt) er av før du begynner å kjøre.



Sørg for at du aldri henger et nøkkelknippe/ en nøkkelhenger på scooternøkkelen. Slik forhindrer du at kontakten blir avbrutt ved en feiltakelse, slik at scooteren stanser



3.5 Kjøre



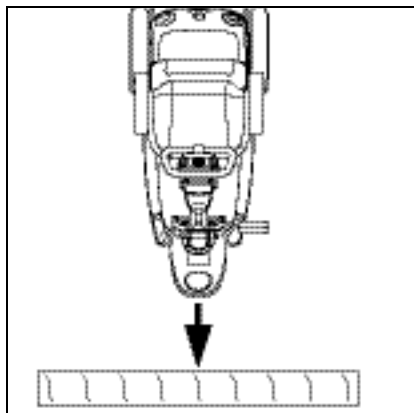
- Du er utsatt når du kjørerscooteren i trafikken. Ta hensyn til at andre trafikanter ikke alltid ser deg.
- Følg trafikreglene.
- Unngå lite trafikkerte ruter, slik at du raskt kan få hjelp hvis det blir nødvendig.
- Bruk hoftebelte hvis mulig

Kjøre forover

1. Slå på scooteren, se 3.4.
2. Innstill ønsket hastighet med fartsregulatoren (A).
3. Klem på undersiden (B) av et av gasshåndtakene. Jo lenger inn du trykker håndtaket, desto fortere kjører du.

Kjøre bakover

1. Stopp scooteren ved å slippe gasshåndtaket.
2. Klem sakte på oversiden (C) av et av gasshåndtakene. Scooteren kjører bakover.
3. Hvis du slipper gasshåndtaket bremser du automatisk.



Sett fartsregulatoren (A) på minst stilling 2. I laveste stilling vil ikke scooteren begynne å kjøre.

3.6 Fortau

Kjøre opp fortauer

1. Stå med scooteren rett mot fortauskanten.
2. Klem gasshåndtaket langsomt inn. Kjør opp på fortauet uten å forandre retning.
3. Opprethold hastigheten så fort forhjulet er på fortauet, slik at bakhjulene også kommer opp på fortauet. Hvis du ikke kommer opp på fortauet, må du finne et lavere sted.

Kjøre ned fra fortauer

1. Kjør nesten helt mot kanten av fortauet med forhjulet.
2. Klem sakte et av gasshåndtakene inn. Kjør forsiktig ned fra fortauet uten å forandre retning.



- **Kjør aldri scooteren ned en trapp!**

- **Slipp straks gasshåndtaket i en panikksituasjon. Scooteren stopper nå automatisk.**

3.7 Bruk

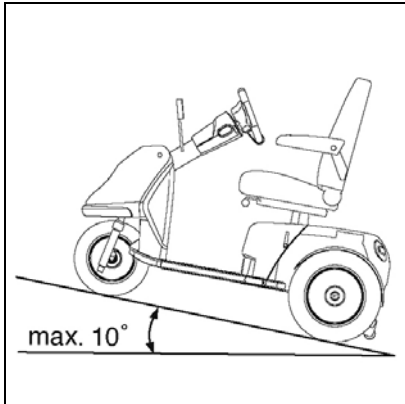


- **Slå av scooteren før du stiger på eller av! Scooteren begynner å gå hvis du holder deg fast i styret når du stiger på eller av og trykker på gasshåndtaket ved et uhell.**
- **Maksimal helningsvinkel for sikker kjøring i en skråning målt i samsvar med ISO 7176-2 med en maksimal brukervekt på 160 kg er 10°.**

Kjøre oppover skråninger



- **Kjør aldri opp en skråning som har en større helningsvinkel enn 10°.**
- **Kjør alltid sakte og konsentrert i skråninger.**
- **Kjør aldri i nedoverbakke hvor det ligger løs grus eller sand på veien, fordi et av bakhjulene kan miste grepet.**
- **Unngå brå og ujevne bevegelser.**
- **Unngå mest mulig å forandre retning i skråninger.**
- **Ikke sving i en skråning.**
- **Hvis du merker at farten avtar betraktelig mens du kjører i en skråning, må du kjøre på et mindre bratt sted.**
- **Hvis du kjører for lenge i en skråning, kan motoren overopphetes.**



Kjøre ned skråninger



- Når du kjører ned en skråning, skal fartsregulatoren stå på den laveste stillingen. Kjør mest mulig behersket og langsomt.
- Det kan være svært farlig å rygge ned en skråning.
- Sitt oppreist og brems alltid sakte ned. Dersom du bremser ned raskt kan det være fare for at scooteren tipper fremover.

Svinger

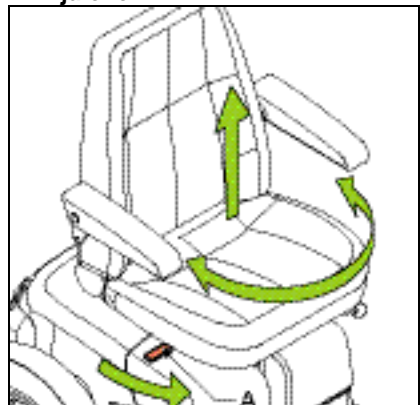


- Kjør aldri med full fart i svinger. Senk farten før du svinger.
- Bruk blinklys når du skal forandre kjøreretning.
- Sett alltid fartsregulatoren i en lav stilling under "manøvrering".

Øvrig



- Kjør forsiktig på glatte veier, på grunn av regn, isdannelse eller snø!
- Unngå at scooteren kommer i kontakt med saltvann: saltvann er aggressivt og skader scooteren.
- Unngå at scooteren kommer i kontakt med sand: sand kan trenge inn i scooterens bevegende deler, slik at det oppstår unødig stor slitasje.
- Hvis du er påvirket av midler som kan påvirke kjøreferdighetene, må du ikke kjøre med scooteren.
- Du må ha tilstrekkelig synsevne til å kunne kjøre scooter på en sikker måte i den aktuelle brukssituasjonen.
- Det er påbudt å kjøre med lysene på når det er dårlig sikt.
- Kjøring med høy hastighet krever ekstra forsiktighet. Innstill lavere maksimal hastighet på fortauer og i fotgjengerområder.
- Pass på at klesplagg ikke henger løst. Disse kan bli grepet av hjulene.



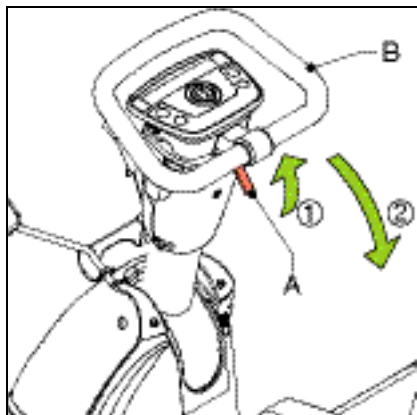
3.8 Scooteren legges sammen

Fjerne setet

1. Beveg hendelen (A) forover.
2. Løft setet ut av svingmekanismen. Setet er lettere å ta ut hvis det dreies samtidig som det løftes.

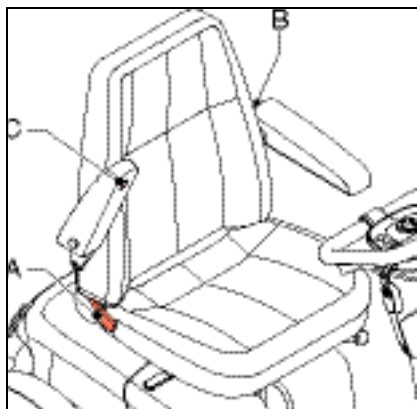
Folde ned styresøylen

Trekk hendelen (A) opp og fold styresøylen (B) ned.



3.9 Transportere scooteren

Scooteren kan nå settes i en bil. Bruk kjøreplater for å kjøre scooteren inn i bilen. Scooteren kan også løftes. Da trengs det minst to sterke personer.



- På grunn av scooterens art, må brukeren sitte i et vanlig bilsete. De er ikke tillatt å sitte på scooteren under transport i en bil eller taxi, heller ikke hvis dette kjøretøyet er tilpasset for transport av scootere. Scooteren kan ikke gi den sikkerheten som vanlige bilseter gir, uansett hvor godt scooteren er festet i kjøretøyet.
- Etter at scooteren er plassert i bilen, må du kontrollere at frihåndtaket står i stillingen **KJØRE**.
- Sett scooteren fast med festestropper i de spesielle festeøyne foran og bak.

3.10 Innstillingsmuligheter

Rygglen

1. Sitt i setet og trekk hendelen (A) oppover. Rygglenet beveger seg forover.
2. Trykk rygglenet bakover med overkroppen til du finner en behagelig stilling og trykk hendelen ned.



Ikke bruk hendelen når du ikke sitter i setet. Rygglenet spretter da kraftig forover.

Korsryggstøtte

Sitt på setet og vri på knappen (B) slik at korsryggstøtten kommer i beste posisjon for deg.

Armlene

Vri hjulet (C) for å justere armlenets høyde og vinkel.



Armlenenes stilling forandres hvis rygglenets stilling forandres.

Hodestøttens høyde

Velg en behagelig høyde på hodestøtten.

3.11 Justeringsmuligheter

For å oppnå ideell holdning, og en avslappet stilling på armer og skuldre, kan forhandleren justere disse delene:

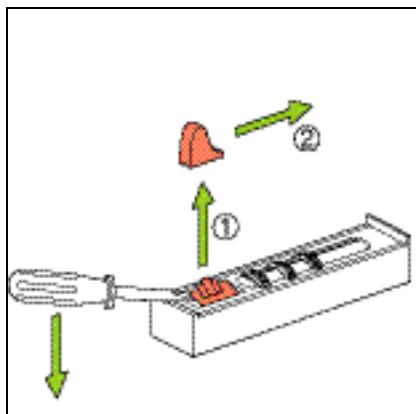
- Sittehøyde
- Styrehøyde
- Styrevinkel
- Fjærstramming (scooterens fjæring)

3.12 Kodelåsens kode

På fabrikken er koden innstilt på 0-0-0.

Forandre kode

1. Løft knasten (A) med en liten spiss gjenstand.
2. Beveg knasten (B) som kommer fri i retning av hjulene.
3. Hold knasten i denne stillingen og innstill din personlige kode.
4. Husk denne koden.
5. Slipp knasten igjen: Koden er innstilt.
6. Trykk knasten (A) kraftig på plass.
7. For å åpne låsen og ta av kurven, må du bevege knasten til "åpen".



4 Vedlikehold

4.1 Vedlikeholdstabell

La forhandleren kontrollere scooteren én gang i året, eller hvert halvår ved hyppig bruk. Tabellen nedenfor viser vedlikeholdet som du kan gjøre selv.

Hvor ofte	Beskrivelse
Daglig	Lade batteriene etter hver tur. Se 4.2.
Ukentlig	Kontrollere dekkene og pumpe dem opp om nødvendig. Se 4.3
Månedlig	Rengjøre scooteren. Se 4.4.
	Rengjør trekket om nødvendig. Se 4.4.
	Kontrollere batteriene (om sommeren: hver fjortende dag, om vinteren: hver måned). Se 4.2
Hvert kvartal	Smøre setets svingsystem

4.2 Batteri's

Scooteren har "tørre" gel-batterier. Disse tørre batteriene er helt forseglet og vedlikeholdsfrie.



Det er ikke tillatt å bruke "våte" batterier.

Lade batteriene

Se batteriladerens bruksanvisning.

Ved normal bruk må batteriene lades hver natt.

1. Skru av scooteren.
2. Sett inn ladepluggen fra laderen i ladekontakten, se avsnitt 2.2.
3. Sett støpselet fra laderen i en veggkontakt.

Når batteriene er ferdigladet:

1. Trekk laderens støpsel ut av veggkontakten.
2. Trekk ladepluggen ut av ladekontakten.



- **Når ladepluggen fra laderen settes i ladekontakten, blir scooterens funksjoner slått av.**
- **Fjern alltid ladeledningen når batteriene er ferdig ladet. Da unngår man at batteriene tømmes langsomt.**

Vedlikehold av batterier

Se forskriftene om batterier.



- **Batteriene bør alltid være fulladet.**
- **Scooteren må ikke brukes hvis batteriene er nesten tomme. Batteriene må aldri tømmes fullstendig. Det kan ødelegge batteriene og det er fare for at scooteren blir stående stille.**
- **Koble fra batteriene ved langtidslagring.**
- **Det anbefales å montere en røykvarsler i ladeområdet.**

Stell av batteriene

Hold batteriene rene og tørre. Skitt og vann kan forårsake kryptstrøm som fører til at batterikapasiteten avtar. Rens polene og smør dem med syrefri vaselin.

Skifte batterier

Hvis batterikapasiteten blir stadig lavere, slik at du kun er mulig å kjøre korte turer, er batterienes levetid forbi. Da må batteriene skiftes. Kontakt forhandleren.

4.3 Kontrollere og pompe opp dekkene



- Pass på at det stadig er riktig trykk i dekkene.
- Overskrid aldri det angitte dekktrykket.

Pump opp dekkene med en fotpumpe eller sykkelpumpe. Bruk den vedlagte nippelen. Du kan også få pumpet opp dekkene på en bensinstasjon.

- Dekktrykk forhjul: 2,4 bar
- Dekktrykk bakhjul: 2,2 bar

4.4 Rengjøre scooteren

Fjerning av tørt smuss

Rengjør trekket, metalldelene og rammedelene med en tørr, myk klut.

Fjerning av søle og annen våt skitt

Tørk av de skitne delene med en våt svamp. Tørk delene etterpå med en myk, tørr klut.

Rengjøre trekket

Rengjør trekket med en fuktig klut og oppvasksåpe. Tørk trekket etterpå med en myk, tørr klut.



- **Bruk aldri slipende eller aggressive rengjøringsmidler. Det kan føre til riper på scooteren.**
- **Bruk ikke organiske løsemidler som tynner, rensebensin eller terpentin.**
- **Vær forsiktig med vann ved de elektroniske komponentene.**
- **Trekket må ikke renses kjemisk. Trekket må ikke strykes eller sentrifugeres.**

5 Feil

5.1 Feiltabell

Hvis scooteren ikke fungerer selv om batteriene er tilstrekkelig ladet, kontroller følgende punkter før du kontakter forhandleren.

1. Slå scooteren av og på igjen.
Kontroller om feilen er utbedret.
2. Kontroller om alle batterikontaktene sitter godt fast.
3. Sjekk om fri-håndtaket står i stillingen KJØRE.
4. Kontroller om stillingen til fartsregulatoren er forandret.
5. Ved feil blinker lampene til batteriindikatoren. Bruk tabellen under for å finne årsaken og gi den informasjonen til forhandleren.

Antall lamper	Feilbeskrivelse	Handling
6	Scooteren er koplet til batteriladeren	Kople scooteren fra batteriladeren
7	Gasshåndtak feil	Sørg for at gasshåndtakene står i hvilestillingen når scooteren slås på.

Kontakt forhandleren i alle andre tilfeller.

6 Tekniske spesifikasjoner

Hjul	
Diameter forhjul	12,5" x 2,25"
Diameter bakhjul	3.00x10
Dekktrykk forhjul	2,4 Bar
Dekktrykk bakhjul	2,2 Bar

Betjeningskraft	
Betjeningshendel	< 60 N
Elektroniske brytere	< 13,5 N
Parkeringsbrems	< 60 N
Sette inn ladeplugg	< 60 N

Batterier	
Maksimal dimensjoner batterier	334x178x253 mm
Type batterier	Gel/AGM
Vekt scooter uten batterier Trophy 3W	110 kg
Vekt scooter uten batterier Trophy 4W	121 kg
Maks. Batterikapasitet	86 Ah
Maks. batterikap. ved 5 timer utladingstid	27,5 Ah
Maks. tillatt ladespenning	13,6 V
Maks. Ladestrøm	10 A
Type kopling	A DIN 72311

Modell		Trophy 3W	Trophy 4W	Trophy Alpine
Maks. Brukervekt	kg	160	-	-
Total lengde	mm	1400	-	-
Total bredde	mm	660	-	-
Total vekt inkl. Batterier	kg	155	166	155
Vekt tyngste del	kg	90	101	90
Statisk stabilitet nedover	°	15	-	-
Statisk stabilitet oppover	°	15	-	-
Statisk stabilitet til siden	°	15	-	-
Kjørelengde (ISO 7176) 85 Ah batterier	km	60	-	-
Kjørelengde (ISO 7176) 56 Ah batterier	km	40	-	-
Dynamisk stabilitet oppover skråning	°	14	-	-
Klatrekapasitet over hindringer	mm	100	-	-
Starte i skråning	°	10	10	14
Maksimal hastighet forover	km/du	15	15	11
Min. bremseavstand fra maks. Hastighet	mm	2100	-	-
Idem, maks.	mm	2200	-	-
Sittevinkel	°	2	-	-
Effektiv sittedybde	mm	440	-	-
Effektiv sittedybde	mm	460	-	-
Sittehøyde ved setets forkant, min.	mm	420	-	-
Idem, maks.	mm	550	-	-
Ryggvinkel, min.	°	90	-	-
Idem, maks.	°	180	-	-
Rygg høyde	mm	550	-	-
Armlene høyde, min.	mm	180	-	-
Idem, maks.	mm	220	-	-
Forkant armlene til rygg	mm	260	-	-
Min. vendediameter	mm	1250	1480	1250
Evne til å kjøre ned fra hindringer	mm	100	-	-
Bakkeklaring	mm	70	-	-
Nødvendig snuplass	mm	1650	1940	1650

AU
Sunrise Medical Pty. Ltd.
6 Healey Circuit, Huntingwood
NSW 2148
Australia
T: +61 (2) 9678 6600
E: enquiries@sunrisemedical.com.au
www.SunriseMedical.com.au

BE
Sunrise Medical HCM B.V.
Vossenbeemd 104
5705 CL Helmond
The Netherlands
T: +32 (0)78 150 159
E: customerservice@sunrisemedical.be
www.SunriseMedical.be

CH
Sunrise Medical AG
Lückhalde 14
3074 Muri/Bern
Schweiz/Suisse/Svizzera
T: +41 (0)31 958 3838
E: info@sunrisemedical.ch
www.SunriseMedical.ch

DE / AT
Sunrise Medical GmbH & Co. KG
Kahlbachring 2-4
69254 Malsch/Heidelberg
Deutschland
T: +49 (0) 7253/980-0
E: kundenservice@sunrisemedical.de
www.SunriseMedical.de

DK
Sunrise Medical ApS
Park Allé 289 G
DK-2605 Brøndby
T: +45 70 22 43 49
Email: info@sunrisemedical.dk
www.sunrisemobility.dk

ES / PT
Sunrise Medical S.L.
Polígono Bakiola, 41
48498 Arrankudiaga – Vizcaya
España
T: +34 (0) 902142434
E: marketing@sunrisemedical.es
www.SunriseMedical.es

FR
Sunrise Medical S.A.S
ZAC de la Vrillonnerie
17 Rue Mickaël Faraday
37170 Chambray-Lès-Tours
T: +33 (0) 2 47 55 44 00
E: info@sunrisemedical.fr
www.SunriseMedical.fr

IT
Sunrise Medical S.r.l.
Via Riva, 20 – Montale
29122 Piacenza
Italia
T: +39 0523 573111
E: info@sunrisemedical.it
www.SunriseMedical.it



NL
Sunrise Medical HCM B.V.
Vossenbeemd 104
5705 CL Helmond
The Netherlands
T: +31 (0)492 593 888
E: customerservice@sunrisemedical.nl
www.SunriseMedical.nl
www.SunriseMedical.eu (International)

NO
Sunrise Medical AS
Dynamitveien 14B
1400 SKI
Norway
T: +47 66963800
E: post@sunrisemedical.no
www.SunriseMedical.no

PL
Sunrise Medical Poland Sp. z o.o.
ul. Elektronowa 6,
94-103 Łódź
Polska
T: +48 42 275 83 88
E: pl@sunrisemedical.de
www.Sunrise-Medical.pl

SE
Sunrise Medical AB
Box 9232
400 95 Göteborg
Sweden
T: +46 (0)31 748 37 00
E: post@sunrisemedical.se
www.SunriseMedical.se

UK
Sunrise Medical
Thorns Road
Brierley Hill
West Midlands
DY5 2LD
United Kingdom
T: +44 (0) 845 605 66 88
E: enquiries@sunmed.co.uk
www.SunriseMedical.co.uk

Dealer / distributor:

Serial number:



OM_Trophy_EU_EN_DK_NO_RevH_2016_05_18

