



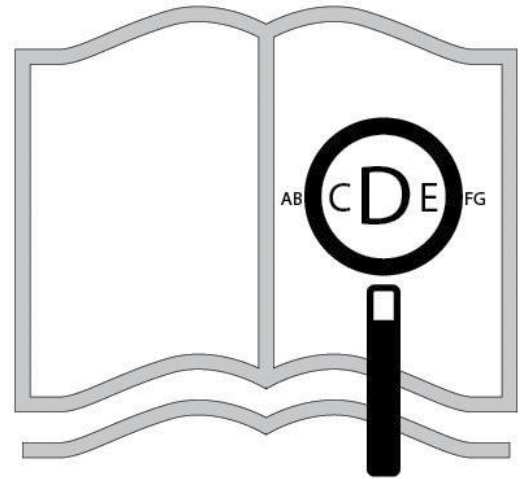
Salsa M² Mini

Instructions for Use

 QUICKIE®

000690713.EN

www.sunrisemedical.com



If you are visually impaired, this document can be viewed in PDF format at www.SunriseMedical.co.uk.

Wheelchair Components

EN 

We at SUNRISE MEDICAL have been awarded the ISO-13485 certificate, which affirms the quality of our products at every stage, from R & D to production. This products meet the requirements in accordance with EC guidelines. Options or accessories shown are available at extra cost.



User Information

Intended use power wheel wheelchairs:

Power wheelchairs are exclusively for a user who is unable to walk or has limited mobility, for their own personal use in- and outdoor.

When an Attendant Control Module is fitted, the Power Wheelchair may be operated by an assistant on behalf of the user.

When a Dual Control Module is fitted the Power Wheelchair may be operated by the user, or control may be switched to an assistant to operate on behalf of the user.

The maximum weight limit (includes both the user and any weight of accessories fitted to the wheelchair) is marked on the serial number label, which is affixed to the chassis of the wheelchair .

The wheelchair serial number is affixed also to the front page of the owners manual supplied with the wheelchair.

Warranty can only be provided if the product is used under the specified conditions and for the intended purposes.

The expected lifetime of the wheelchair is 5 years. Please DO NOT use or fit any 3rd party components to the wheelchair unless they are officially approved by Sunrise Medical.

Area of application

The variety of fitting variants as well as the modular design mean that it can be used by those who cannot walk or have limited mobility e.g. because of:

- Paralysis
- Loss of extremity (leg amputation)
- Extremity defect deformity
- Joint contractures/joint injuries
- Strokes and brain injuries
- Neurological disabilities (e.g. MS, Parkinson...)
- Illnesses such as heart and circulation deficiencies, disturbance of equilibrium or cachexia as well as for elderly people who still have the strength in the upper body.
- Persons who are mentally and physically able to control an input device to operate the wheelchair and its functions in a safe way.

When considering provision, please also note the body size, weight including the distribution of body weight, the user's physical and psychological constitution, the age of the user, their living conditions, environment and the intended use.

If in doubt a health care professional should be involved to ensure the user is not exposed to unacceptable risks.

Sunrise Medical is ISO 13485 2008 certified, which ensures quality at all stages of the development and production of this wheelchair .



IMPORTANT:

DO NOT USE YOUR Wheelchair UNTIL THIS MANUAL HAS BEEN READ AND UNDERSTOOD.

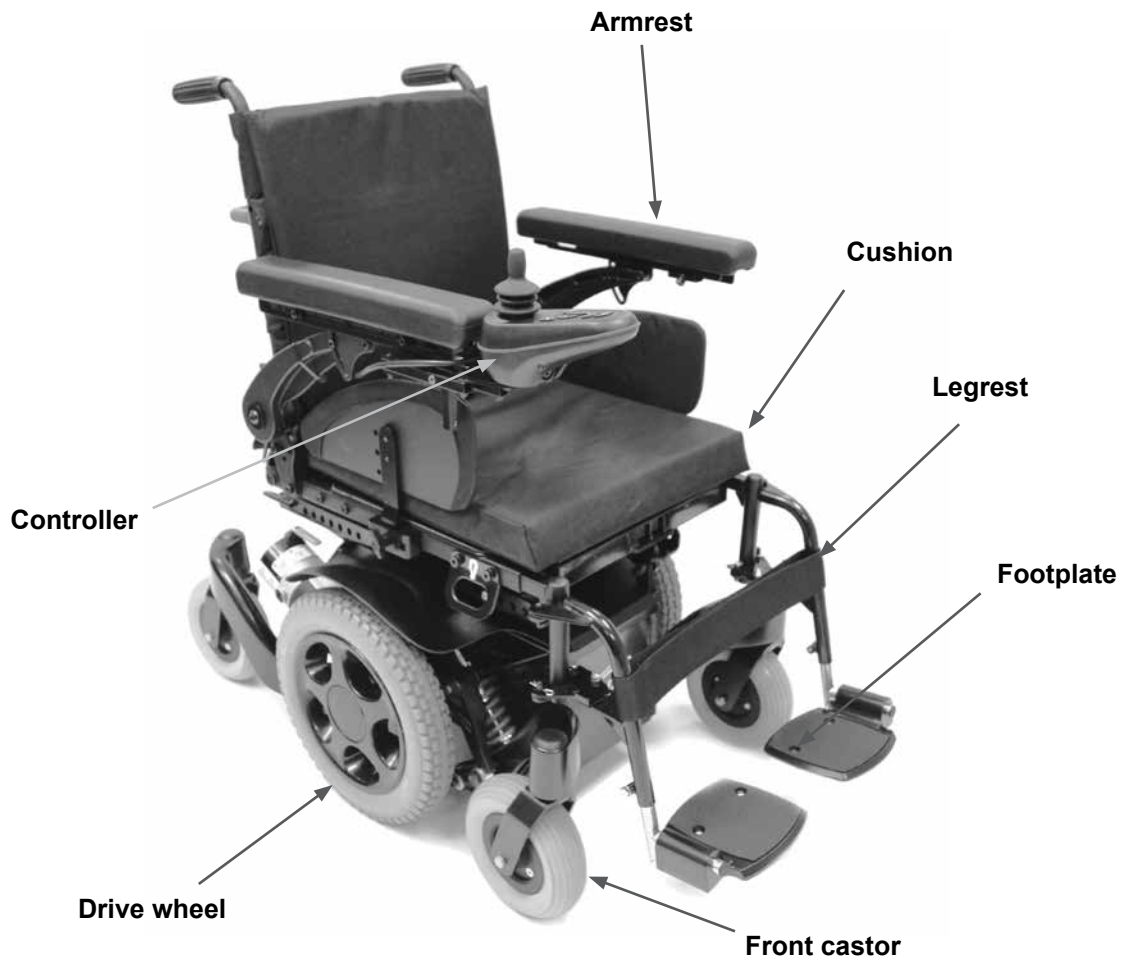
Sunrise Medical declares under its sole responsibility that this product is in conformity with the requirements of the directive MDR 2017/745 amended by 2007/47/EEC."

Sunrise Medical declares that this product fulfils the performance requirements for a "Crash Test" to ISO 7176-19.

Dealer signature and stamp

1.0 Your Wheelchair	6	8.0 Troubleshooting using the VR2 Hand Control	46
2.0 How to use this manual	6	9.0 Controller Mounts	48
2.1 Introduction	6	9.1 General warnings:	48
2.2 Guarantee	6	9.2 Attendant control:	48
3.0 Label Explanation / Word definitions	7	9.3 Parallel swing-away control:	48
3.1 Definitions of words used in this manual	7	9.4 Centre bar mount control (R-net)	49
3.2 Label explanations	8	9.5 Tray mount control (R-net)	49
4.0 General safety warning and user tips	10	9.6 Swing-away tray mounted centre control (R-net)	49
4.1 General warnings	10	9.7 Forus control (R-net)	49
4.2 Features and options	10	9.8 Emergency stop button	50
4.3 Kerbs	10	9.9 Powered swing away arm (R-net)	50
4.4 Routine service	10	10.0 Speciality Controls	51
4.5 Brake release	10	10.1 Proximity head array	51
4.6 EMC - Radio transmitting devices.	11	10.2 Driving with the head array (Fig 10.1)	51
4.7 Emergency braking	11	10.3 Proportional head control	51
4.8 Sharp turns	11	10.4 Sip and puff control and buddy buttons	52
4.9 Batteries	11	10.5 Switch-It mini joystick as a chin control or hand control	52
4.10 Tyres	11	10.6 Proportional chin control (Fig.10.7)	52
4.11 Weight limit	12	10.7 Micro pilot Joystick	52
4.12 Wheelchair motors	12	11.0 Batteries and charging	53
4.13 Hot surfaces	12	11.1 Batteries, (Fig. 11.1 - 11.4)	53
4.14 Wheelchair range	12	11.2 Safety cut-outs	54
4.15 Road use	12	11.3 General battery information	54
4.16 Adverse conditions	13	11.4 Maintenance free batteries	54
4.17 Ramps	13	11.5 Battery care	54
4.18 Transfer to and from the wheelchair	13	11.6 Maintenance free battery care plan	54
4.19 Lift and tilt modules	13	11.7 General charger information	55
4.21 Use on a slope	14	11.8 Charger safety features	55
4.22 Using a vehicle mounted passenger lift	14	11.9 Connecting the charger and charging	55
4.23 Creep mode	15	11.10 Charger safety and caution notes	55
4.24 Stability of your wheelchair	15	11.11 The range of your vehicle	56
4.25 Wheels	15	11.12 Common battery statements	56
4.26 Rear view mirror	16	11.13 Battery warranty	57
4.27 Crutch holder	16	12.0 Transportation	58
4.28 Lights and indicators	16	12.1 Transportation warnings:	58
4.29 Swing away tray	16	12.2 Occupant restraint instructions	59
4.30 Mounting a kerb or step	16	12.3 Crash testing on the SALSA, all models.	60
4.31 Lap belt (Standard Seat)	17	12.4 The tie down label and placement	60
4.32 VR2 Controller (Fig. 4.21)	19	12.5 Securing the wheelchair into the vehicle	61
5.0 Preparing your wheelchair for use	19	12.6 Neptune2 Special Instructions	61
5.1 Handling the wheelchair	19	12.7 Hoisting the wheelchair:	61
5.2 Preparation for transportation or storage	19	12.8 Using the Dahl Docking System	62
5.3 Re-Assembling	20	12.9 Wheelchairs and train travel within the EU:	65
5.4 Brake release	20	12.10 Other Transport requirements:	66
5.5 Drive wheel suspension Salsa	21	12.11 Storage Spec removal of parts before travelling:	66
5.6 Control joystick unit position	22	12.12 Medium to long term storage:	66
5.7 Getting ready to drive. (Fig.5.17).	22	12.11 Storage temperature & humidity:	66
5.8 Armrests	23	13.0 Maintenance and Cleaning	67
5.9 Leg Rests	27	13.1 Tyre maintenance and pressures	67
6.0 Seating	32	13.2 Tyre wear	67
6.1 Firm seat board	32	13.3 Drive wheel tyre repair	67
6.2 Seat cushions	32	13.4 Removing the castor wheel	69
6.3 Removable seat covers	32	13.6 Inspection of the upholstery/seating	70
6.4 Backrest upholstery	32	13.7 Cleaning seating	70
6.5 JAY backrests	32	13.8 Cleaning controls	71
6.6 Standard Seat width adjustment	32	13.9 Lighting maintenance	71
6.7 Standard Seat height adjustment	33	13.10 Electrical connections	71
6.8 Standard Seat Depth Adjustment	33	13.11 How to connect the cables to the batteries	71
6.9 Backrest Angle Adjustment	34	13.12 Controller access	73
6.10 Back Height Adjustment	35	13.13 Storage	73
6.11 Manual adjustable backrest (Standard seat)	37	13.14 Authorised Sunrise Medical service agents	73
6.12 Manual setting of the seat angle.	37	13.15 Recommended maintenance routines	74
6.13 JAY backrests	38	13.16 Performance checks	75
6.14 Headrest	38	14.0 Specification sheets (EN 12184 & ISO 7176-15)	76
6.15 Powered Seating	39	15.0 Service History	77
7.0 Control System	41	16.0 Disposal	78
7.0 R-net control system information	41	17.0 Battery Wiring Diagram	79
7.1 VR2 control system information	41		
7.2 VR2-L, (Lights).	43		
7.3 VR2 Dual control unit	44		

Salsa Mini



1.0 Your Wheelchair

We at Sunrise Medical want you to get the best out of your wheelchair. This Owner's Manual will familiarise you with the wheelchair and its features. It contains hints on everyday usage and general care in addition to information on the high quality standards which we adhere to and details about the guarantee.

Your wheelchair should be delivered fully configured for your use; there are a wide range of components and adjustments available on the wheelchair. For further information about these you should contact your Sunrise Medical authorised dealer.

Your wheelchair will reach you in excellent condition having been personally inspected before leaving our factory. Following the guidelines for maintenance and cleaning your wheelchair will maintain its first class condition and give you complete satisfaction. The wheelchair has been designed for use by an individual on a daily basis. It is suitable for both indoor and outdoor use. It is only intended for use as a pavement vehicle, but may also be used when crossing between pavements.

This wheelchair has been designed for a single occupant of limited mobility up to the weight of 140Kg (dependant on options chosen for your wheelchair).

The user must have the cognitive, physical and visual ability to control the wheelchair safely on a maximum slope of 14% - 8°, (subject to wheelchair configuration). If you are in any doubt as to the suitability of the power wheelchair, contact your local Sunrise Medical approved supplier for clarification, prior to commencing use.

It is very important to read the relevant section of the owner's manual when making any minor adjustments. Consult the Technical Manual or your local Sunrise Medical authorised dealer for more complex adjustments.

If you have any queries about the use, maintenance or safety of your wheelchair, please contact your local approved Sunrise Medical service agent. If you do not know of an approved dealer in your area or have any other questions please write or telephone:

Sunrise Medical
Thorns Road
Brierley Hill
West Midlands
DY5 2LD
Phone: 0845 605 66 88
Fax: 0845 605 66 89
www.SunriseMedical.co.uk

2.0 How to use this manual

2.1 Introduction

Please keep a note of your local service agent's address and telephone number in the space below. In the event of a breakdown, contact them and try to give all relevant details so they can help you quickly. The wheelchairs shown and described in this manual may not be exactly the same in every detail as your own model. However, all instructions are still entirely relevant, irrespective of detail differences.

NOTE:

- The manufacturer reserves the right to alter without notice any weights, measurements or other technical data shown in this manual. All figures, measurements and capacities shown in this manual are approximate and do not constitute specifications.
- Information regarding the continued safe use of your product, such as product safety notices or recalls (also known as FSN/FSCA Field Safety Notice/Field Safety Corrective Action) may be issued by Sunrise Medical as required. These can be accessed on the Sunrise Medical web site (Safety Notifications). The information will also be provided to the organisation who supplied your product in order that any required actions can be implemented. It is important that you keep this organisation updated with any changes in your contact details or if you no longer use this product. Please pass this manual on to any 2nd users of the product.

2.2 Guarantee

The guarantee form is included in the Sunrise Pack. Please fill in the relevant details and return to us to register your entitlement.

THIS GUARANTEE DOES NOT AFFECT YOUR LEGAL RIGHTS IN ANY WAY.

Sunrise Medical* provides a guarantee, as set out in the warranty conditions, for wheelchairs to its customers covering the following.

Warranty conditions:

1. Should a part or parts of the product require repair or replacement as a result of a manufacturing and/or material fault within 24 months, then the affected part or parts will be repaired or replaced free of charge. The warranty will only cover manufacturing defects
2. To enforce the warranty, please contact the supplier of your wheelchair – e.g. the Sunrise Medical Approved dealership or Healthcare provider with the exact details of the nature of the difficulty. Should you be using the product outside the area covered by the Sunrise Medical customer service agent, repairs or replacement will be carried out by another agency as designated by the manufacturer. The product must be repaired by a Sunrise Medical designated Customer Service agent, (dealer).
3. For parts, which have been repaired or exchanged within the scope of this warranty, we provide a warranty in accordance with these warranty conditions for the remaining warranty period for the product in accordance with point 1.

4. For original spare parts which have been fitted at the customer's expense, these will have a 12 months guarantee, (following the fitting), in accordance with these warranty conditions.
5. Claims from this warranty shall not arise, if a repair or replacement of a product or a part is required for the following reasons:
 - a. Normal wear and tear, which include but is not limited to the following parts where fitted; batteries, armrest pads, upholstery, tyres, brakes shoes, ferrules, etc.
 - b. Any overloading of the product, please check the EC label for maximum user weight.
 - c. The product or part has not been maintained or serviced in accordance with the manufacturer's recommendations as shown in the user instructions and/or the service instructions.
 - d. Accessories have been used which are not specified as original accessories.
 - e. The product or part having been damaged by neglect, accident or improper use.
 - f. Changes/modifications have been made to the product or parts, which deviate from the manufacturer's specifications.
 - g. Repairs have been carried out, before our Customer Service has been informed of the circumstances.
6. This guarantee is subject to the law of the country in which the product was purchased from Sunrise Medical.

7. Life expectancy

We estimate a life expectancy of five years for this product, provided that:

- It is used in strict accordance with the intended use as set out in this document.
 - All maintenance and service requirements are met.
- The estimated life expectancy can be exceeded if the product is carefully used and properly maintained, provided that technical and scientific advances do not result in technical limitations.

The life expectancy can also be considerably reduced by extreme or incorrect usage.

The fact that we estimate a life expectancy for this product does not constitute an additional warranty.





* Means the Sunrise Medical facility from which the product was purchased.

Additional Notes For Australia Only:








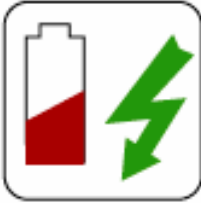


- i. For goods provided by Sunrise medical Pty Ltd in Australia, our goods come with a guarantee by Sunrise Medical that cannot be excluded under Australian Consumer Law.
- ii. You are entitled to a replacement or refund for a major failure and for compensation for any foreseeable loss or damage.
- iii. You are also entitled to have the goods repaired or replaced if the goods fail to be of acceptable quality and the failure does not amount to a major failure.
- iv. The benefits to you given by this warranty are in addition to your other rights and remedies under a law in relation to the goods to which the warranty relates.

3.0 Label Explanation / Word definitions

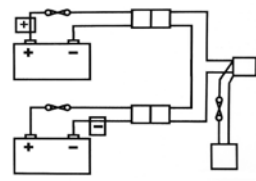
3.1 Definitions of words used in this manual

Word	Definition
 DANGER!	Advice to the user of Potential Risk of serious injury or death if the advice is not followed
 WARNING!	Advice to the user of a potential risk of injury if the advice is not followed
 CAUTION!	Advice to user that potential damage to equipment may occur if the advice is not followed
NOTE:	General advice or best practice
MWD	Mid Wheel Drive
	Reference To Additional Documentation

3.2 Label explanations

	
<p>Lever position for the LEFT-HAND freewheel mechanism. IN DRIVE IN FREEWHEEL</p>	<p>Lever position for the RIGHT-HAND freewheel mechanism. IN DRIVE IN FREEWHEEL</p>
	
<p>WARNING – Do Not Touch - HOT</p>	<p>Attached to Joystick WARNING – Do not drive your wheelchair on a slope with the backrest reclined and/or the seat lifted</p>
	
<p>WARNING – Danger of finger entrapment</p>	<p>WARNING – Maximum user weight is 140 kg.</p>
	
<p>The serial number and information label is located on the front right hand side of the main frame.</p>	<p>Indicates battery charge point</p>
	
<p>Crash Tested / Tie down points</p>	<p>WARNING – Do Not Touch - Static may damage equipment</p>

Labels and their descriptions



Battery Label – Warning Instructions and Circuit Diagram



Back Rest Recline



Seat Lift



Seat Tilt in Space



The power Tilt and power Lift/Tilt modules are factory fitted for optimum stability and for conformance to strict standard requirements. Changing the fitted position of the module can reduce the stability of the product, therefore do not change this setting



Left Leg Rest



Right Leg Rest



Both Leg Rests



WARNING: When the seat is raised you must always use the seat stay

4.0 General safety warning and user tips

4.1 General warnings

WARNING!

- Always ensure that your wheelchair is switched off before attempting to transfer in or out.
- Always ensure that you are able to operate all controls from a comfortable position. Paying attention to your posture is essential to ensure your continued comfort and well being.
- Always make sure that you can be seen clearly, especially if you intend using your wheelchair in poor light.
- This wheelchair has been built to match the needs of a particular user. If used by another user then it may need to be adjusted and reprogrammed.
- Do not let unauthorised persons or children use your wheelchair .
- Be aware that the wheelchair may come to a sudden stop during operation. Sunrise Medical recommend that a lap strap be worn at all times.
- Do not operate the wheelchair if it is behaving abnormally or erratically.

4.2 Features and options

NOTE: Some of the options shown in this manual may not be available in your country and may also restrict the overall physical limits of the standard product (e.g. max. speed, user weight limit, etc.). Those limitations are marked on the order form, in the technical manual and in this owner's manual. For further information please consult your Sunrise Medical authorised dealer.

4.3 Kerbs

DANGER!

- Never descend a kerb backwards with a MWD wheelchair. Please read carefully the section 4.30 on kerb climbing in this manual before attempting to mount and dismount any kerbs in your wheelchair .
- Do not attempt to climb or descend a series of steps. It is unsafe to do so and could cause personal injury or damage the wheelchair. The Salsa M² Mini is a mid-wheel drive, (MWD), wheelchair and has been designed to climb one single step or kerb at a time.
- We recommend that users with upper trunk instability wear further customised restraint systems to keep the upright body position during descending or ascending ramps, curbs or obstacles.

4.4 Routine service

The recommended service interval is one year. (See service history table, section 14, Fig.14.1).

4.5 Brake release

DANGER!

- The Brake release, (freewheel), is only to be used in an emergency power breakdown situation e.g. Where a large distance has to be covered to get the user home or into a safe environment.
- Brake release can also be used if a complete and catastrophic loss of power such as control system failure or battery failure has occurred.
- Brake release should not be habitually used as a means of transporting the user as if in a manual wheelchair.
- When the power wheelchair is functioning normally, the brake release should only be used to park or store the unoccupied wheelchair .

Please remember that you have no braking facility when the Brake release, (freewheel), levers are moved from the normal drive position to the freewheel position, Fig. 4.1

DANGER!

- Always ensure an attendant is with you when bringing the wheelchair into the freewheel mode.
- The wheelchair must never be left with one or both levers in the freewheel position.

For an enhanced description of this facility and its limitations to use, please see later section at 5.4.



4.6 EMC - Radio transmitting devices.

WARNING!

When operating two-way radio, walkie-talkies, C.B., amateur radio, public mobile radio and other powerful transmitting devices the wheelchair should be brought to a halt and turned off.

The operation of cordless, mobile telephones and cell phones including hands-free devices is permitted but if abnormal operation of the wheelchair is encountered then the wheelchair must be brought immediately to a halt and turned off.

NOTE: the electrical systems of the wheelchair may disturb the performance of alarm systems in retail shops.

4.7 Emergency braking

There are three ways to stop your wheelchair :

1. Simplest and safest way to stop the wheelchair is to release the joystick (see Hand Control section 7). This will bring the wheelchair to a halt in a controlled manner.
2. Pulling back the joystick will brake the wheelchair abruptly with a fast stop
3. Switching the control system off whilst the wheelchair is in motion will also bring the wheelchair to a halt.

WARNING!

- Switching the control system off is only to be used in an emergency situation as the stopping action is very abrupt.
- Sunrise Medical recommend the use of a lap strap at all times.

4.8 Sharp turns

DANGER!

Full speed turns should not be attempted. If you need to turn sharply you must reduce your speed with the joystick or speed setting. This is particularly important when travelling across or down a slope. Disregarding this advice could lead to your wheelchair tipping over.

4.9 Batteries

Your wheelchair is supplied as standard from Sunrise Medical with maintenance-free batteries. These only require regular charging. Before charging, please read sections 10 and 12 in this manual.

WARNING!

Do not, under any circumstances, tamper with the batteries. If in any doubt contact your local Sunrise Medical authorised dealer.

CAUTION!

Before using your wheelchair for the very first time, please charge your batteries for a period of 24 hours.

WARNING!

Avoid contact with acid on damaged sealed type batteries or wet batteries. Battery acid can cause burns to the skin as well as damage to floors, furniture and your wheelchair . If it comes into contact with the skin or clothing, wash immediately with soap and water. If it comes into contact with the eye, immediately flood the eye with running cold water for at least 10 minutes and seek medical attention immediately. Acid can be neutralised with baking soda and water. Take care to keep batteries upright at all times, especially when transporting your wheelchair .

Battery And Charger Connector Type:

Battery: 24V (2x12V) 41Ah (20hr) Maintenance free
Dimensions: L196 x W130 x H163mm
Connector: 3 pins "Neutrik" type

4.10 Tyres

Your wheelchair tyres can wear depending on use. Check them regularly in accordance with the service instructions in this manual, especially the pressure of the tyres.

4.11 Weight limit



DANGER!

- The user plus items carried should never exceed a total weight of 140 Kg.
- Never use this wheelchair for weight training.
- Exceeding the weight limit is likely to damage the seat, frame or fasteners and may cause severe injury to you or others from wheelchair failure
- Exceeding the weight limit will void the warranty.

4.12 Wheelchair motors

After prolonged use, the motors will produce heat, which is radiated through the motors' outer casing.

NOTE: Continued and prolonged use may cause the motors to get hot. This may trigger the self protect mechanism in the control system. If this occurs the control system will temporarily shut down to prevent damage to the electronics or the wheelchair .



WARNING!

Do not touch the motors' outer casing for at least 30 minutes after using the wheelchair , to allow it to cool.
Fig. 4.6.



WARNING!

4.13 Hot surfaces

Not only the motors can get hot during the operation of the wheelchair, but also the upholstery material and armrests when standing in the sun.

4.14 Wheelchair range

The range of your wheelchair can be affected by many factors such as user weight, terrain, ambient temperature, use of powered options and battery condition.

NOTE: The stated range may not be attained by every user and should be seen as the theoretical maximum (ISO 7176; Part 4) (also see section 14, in this manual).

We recommend that every user initially limit their journey to half the stated range, until they have confidence in the actual range their wheelchair can attain.



CAUTION!

If your battery indicator is showing a low charge then do not attempt a long journey unless you are confident in reaching your destination and also returning to your home without the risk of being left stranded.

4.15 Road use

Please show the utmost consideration for the other traffic on the road.



DANGER!

Remember that the last thing a car or lorry driver expects to see is a wheelchair backing off the kerb into the road. If in any doubt, do not risk crossing the road until you are certain that it is safe. Always cross the road as quickly as possible; there may be other traffic.

4.16 Adverse conditions

Please be aware that when driving your wheelchair in adverse conditions, e.g. on wet grass, mud, ice, snow or other slippery surfaces, you may experience a reduction in the grip and traction of your wheelchair .

WARNING!

We recommend you take extra precautions in these conditions, particularly on hills and slopes; your wheelchair could become unstable or skid causing possible injury.

DANGER!

When you are using a Powered Wheelchair, take extra care with loose or long items of clothing. Moving parts, such as wheels, can be potentially dangerous or even fatal if clothing becomes entangled.

4.17 Ramps

WARNING!

When using a ramp, please ensure that it is capable of taking the combined weight of the powered wheelchair and yourself. If a ramp is being used to load a wheelchair into a vehicle, please ensure the ramp is properly secured to the vehicle.
Always approach the ramp head-on and exercise caution.

CAUTION!

Please ensure your ramp is suitable for the product you are transporting.

4.18 Transfer to and from the wheelchair

WARNING!

- Sunrise Medical recommend that you consult your health care professional for assistance in developing your personal front or side transfer technique to best suit your needs and avoid any personal injury.
- Ensure controller is switched off during transfers to avoid unintentional movement.

4.19 Lift and tilt modules

WARNING!

Please be aware that the lift and tilt modules present a trap hazard. Make sure that when operating the tilt and lift it is free from all clothing, hands, feet and other extremities to prevent injury.

WARNING!

- Do not drive on ramps or slopes with the seat tilted, reclined or raised. Before attempting to climb or decline a slope, return to an upright position
- The power Tilt and power Lift/Tilt modules are factory fitted for optimum stability and for conformance to strict standard requirements. Changing the fitted position of the module can reduce the stability of the product, therefore do not change this setting.

4.21 Use on a slope

Your wheelchair has been designed and tested to allow its use on slopes or gradients of up to 8° (14%). However, you have the option of adjusting your seating position with a tilt or recline back rest or a combination of these options, (see warning below).

WARNING!

In certain circumstances your wheelchair could become unstable. Before attempting to climb or descend a slope or a kerb, caution should be taken when using weight shift options (e.g. powered tilt or recline) of the seat and/or your body for a counter balance weight. To improve stability lean forward when driving uphill, with the seat and back in an upright position. Alternatively sit in an upright position when travelling in a forward, downhill direction or tilt and/or recline the seat backwards.

WARNING!

We strongly recommend that you return the seat and back to an upright lowered position before attempting to climb or descend a slope. Failure to do this may cause the wheelchair to become unstable.

WARNING!

If you are in any doubt about the capabilities of your wheelchair on a slope then do not attempt to drive up or down the slope/kerb; try to find an alternative route.

4.21.1 Gradients: ascents

WARNING!

- When going uphill, keep the wheelchair moving. Steer by pushing the joystick forwards, but use very slight side to side movements to even out the drive.
- If you have stopped on a hill, you should start slowly. If necessary lean forward to prevent the tendency for the front wheels to lift.

4.21.2 Gradients: descents

WARNING!

On descents, it is important not to let the wheelchair accelerate beyond its normal level of ground speed. In fact, it is safer to proceed slowly down steep descents (below the speed of 5kph) and stop, if any anxiety arises regarding directional control. If the wheelchair picks up speed, centre the control to slow it or to stop all forward movement, then restart slowly and do not allow the speed to increase.

NOTE:

- The solid state controller has the benefit of a logic system that will help compensate when driving along a camber or up a hill. This is an added safety feature on your wheelchair. In addition of course, you may control the wheelchair speed by using the speed control.
- If an R-net control system is fitted, a GYRO Module may be added to eliminate the need to compensate. (Section 7.0.1).

4.22 Using a vehicle mounted passenger lift

Wheelchair lifts are used in vans, buses and buildings to help you move from one level to another.

DANGER!

- Ensure that the user and all carers fully understand the lift manufacturer's instructions for using the passenger lift.
- Never exceed the lift manufacturer's recommended safe working load and load distribution guidance.
- Always turn off all power when you are on the lift. If you fail to do so, you may touch the joystick by accident and cause your wheelchair to drive off the platform. Be aware that a rollstop at the end of the platform may not prevent this.
- Always position the user securely in the wheelchair to help avoid falls while on the lift.
- Always ensure the wheelchair is in drive mode when using passenger lift (wheels locked not in freewheel mode).

4.23 Creep mode

WARNING!

Please ensure your backrest recline angle relative to floor level, which is a combination of the back recline itself and the tilt angle, does not exceed 12° to drive the wheelchair safely.

NOTE: If the tilt angle exceeds 9° the wheelchair will automatically convert into “creep mode” which will allow you a maximum of 10% of the speed programmed in the profile.

WARNING!

If you have a manual recline backrest on your wheelchair, please be aware that there will be no feedback system to the controller that tells it that the seat is in a reclined position. If you recline your backrest and attempt to drive, it will not go into ‘creep mode’, it will instead drive at normal speed.

This is especially dangerous when attempting to drive up a slope.

4.24 Stability of your wheelchair

Please follow the user instructions in this manual regarding the use of seat lift and tilt modules and the use of your wheelchair on a slope.

WARNING!

Other variables can affect your wheelchair stability, including:

- Movement of the user
- Effects of the addition of accessories or other equipment
- Inappropriate adjustments or modifications to the wheelchair

In some cases these issues are further compounded by the effects of the local environment such as:

- Hills, Slopes, Ramps, Sloping pavements, Dropped kerbs.

Furthermore different body proportions of a wheelchair user affect stability for example:

- Lower limb wasting or amputation, Obesity
- Increased upper torso mass, Upper torso height

WARNING!

The power Tilt and power Lift/Tilt modules are factory fitted for optimum stability and for conformance to strict standard requirements. Changing the fitted position of the module can reduce the stability of the product, therefore do not change this setting.

4.25 Wheels

WARNING!

- Never use a forecourt pump.
- Inspect all tyres regularly for signs of wear.
- Do not drive over anything that could cause punctures in the tyres.
- Ensure that there are no objects in your path that could possibly become lodged in your wheelchair mechanism or in the spokes of the rear wheels. This could cause the wheelchair to come to a sudden stop.
- Riding over drains or grids could cause the wheelchair castors or wheels to become lodged, causing the wheelchair to come to a sudden stop.
- Always maintain the correct pressure for the tyre. These are listed in section 12 of this manual.

WARNING!

Pneumatic Tyres with OKO fluid.

The OKO fluid is only meant as a temporary repair to the tyre. It must be replaced or repaired as soon as possible. The OKO fluid is classified as non hazardous but may cause irritation to the skin with prolonged contact.

First Aid measures for OKO fluid

Skin - Wash skin with plenty of water
 Eyes - Immediately flood the eye with plenty of water for at least 5 minutes holding the eye open.
 Ingestion - Drink lots of water - Seek medical attention immediately.

4.26 Rear view mirror

WARNING!

To avoid injury to people around you please be aware that the mirror protrudes outside the space envelope of the wheelchair and could cause injury to someone when driving past.

The mirror must be used on the 10KPH model on UK roads.

Always make sure that when using the mirror that it is clean and unbroken so that it does not impair your visibility.

4.27 Crutch holder

WARNING!

- Make sure that the crutch is securely fastened to the crutch holder.
- Make sure that the crutch is not interfering with the mechanisms of the wheelchair.
- Make sure that the crutch does not protrude from the wheelchair.
- Do not attempt to remove the crutch whilst the wheelchair is in motion.
- Always come to a complete stop and turn off the power to the controls before attempting to remove the crutch. This will avoid accidentally operating the wheelchair.

4.28 Lights and indicators

WARNING!

Ensure that the lights and indicators are functioning correctly and lenses are clean before going outdoors at night.

4.29 Swing away tray

WARNING!

- The maximum weight allowed for the tray is 2.5kg.
- Do not overload the tray, this could cause the tray to break or could cause the wheelchair to become unstable.
- Do not leave lit cigarettes or other heat sources on the tray as this could cause the tray to deform and mark.
- Ensure that all extremities and clothing are free when positioning the tray for use.

4.29.1 Seat stay

A seat stay is provided on your powered wheelchair to provide access for service and maintenance. (see section 10 for additional information)

WARNING!

Do not move the wheelchair with the seat stay in place and make sure you are on flat stable ground.

4.30 Mounting a kerb or step

WARNING!

Always approach a kerb at 90°

Approach the kerb (step) head on driving forwards slowly and steadily and always at a 90° angle, (Fig.4.7).

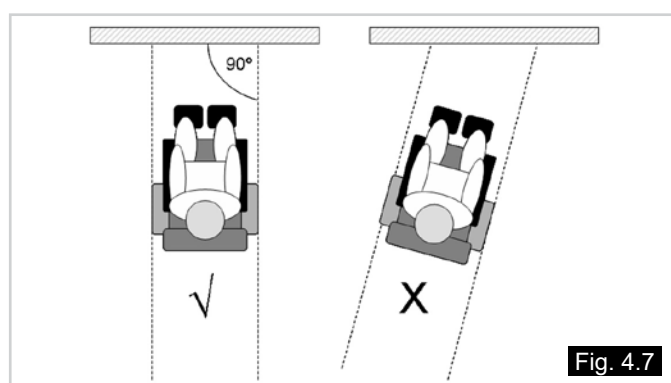


Fig. 4.7

Approach the kerb in a 90° angle and stop the wheelchair as soon as the castor wheels touch the kerb.

Apply sufficient power to the motors to lift the front of the wheelchair up onto the kerb (step) and then apply slightly more power and speed so that the drive wheels climb the kerb (step) smoothly and without hesitation and the rear castor wheels come up as well. As far as possible, keep the joystick in the straight forward position, (Fig.4.10 - 4.11).

Note: In accordance to the ground clearance, the maximum obstacle height possible to climb is 70 mm.

WARNING!

The approach speed and process can vary depending on your wheelchair performance and castor wheel choice.



Fig. 4.10



Fig. 4.11

WARNINGS!

- Please show the utmost consideration for the other traffic on the road. Remember that the last thing a car or lorry driver expects to see is a wheelchair backing off the kerb into the road. If in any doubt, do not risk crossing the road until you are certain that it is safe.
- Always cross the road as quickly as possible; there may be other traffic.
- Do not attempt to go up or down more than a 70 mm. kerb/step.
- Do not attempt to use on a series of steps.
- Do not attempt kerbs if on steep slopes or cambers.
- Do not attempt any kerbs in the vicinity of drain covers, uneven or gritty road surfaces.
- Do not mount or dismount kerbs at an angle other than straight on (90 degrees) to the edge of the kerb.
- Prior to climbing ensure your legrests will clear the kerb.

WARNING!

This wheelchair is designed to be repaired and assembled by a Sunrise Medical authorised dealer and not the end user. The end user has to disassemble and assemble the wheelchair only for transportation (see section 5.2).

4.31 Lap belt (Standard Seat)

The lap belt kit. (Fig. 4.14).

Fastening the lap strap:

Insert the 3 prong male buckle into the female buckle until a click is heard (Fig. 4.15)

To fit the lap strap.

- Place the strap loosely across the seat with the buckle closed.. (Fig. 4.16)
- Pass the other ends of the strap through the gap between the backrest posts and the backrest upholstery as shown. (Fig. 4.17)
- Ensure that the adjusters & buckles can be accessed & the strap is not twisted. Fit the eyelet over the rearmost bolt. Fit the plain washer, sprung washer & nut. Tighten with a 13.0mm spanner. Repeat for the other side. (Fig. 4.18)
- Ensure that the lap strap is tight enough to provide comfortable support. A simple measure is to keep a hands thickness between the body and lap strap. For safety, check the tension on the lap strap at least once day. (Fig. 4.19)
- Generally, the lap belt should be fixed so that the straps sit at an angle of approximately 45° (Fig. 4.20), and when correctly adjusted should not allow the user to slip down in the seat.

WARNING!

- Ensure that the lap belt is secured and correctly adjusted before use.
- An incorrectly fitted/adjusted lap belt could allow the user to slip down, potentially causing serious injury.
- Inspect the lap belt at regular intervals for any signs of fray or damage and replace as necessary.
- When servicing, check for correct operation of the release buckle and for any signs of wear on the material or plastic brackets.

⚠ DANGER!

- Always make sure that the lap strap is correctly secured and adjusted prior to use.
- Too loose a strap could cause the user to slip down and cause serious injury.
- Check lap strap and securing components at regular intervals for any signs of fray or damage. Replace if necessary
- When servicing, check for correct operation of the release buckle and for any signs of wear on the material or plastic brackets.
- Lap straps are not suitable for transit purposes, approved occupant restraint systems must be used.

Fig. 4.14



Fig. 4.16



Fig. 4.17



Fig. 4.18



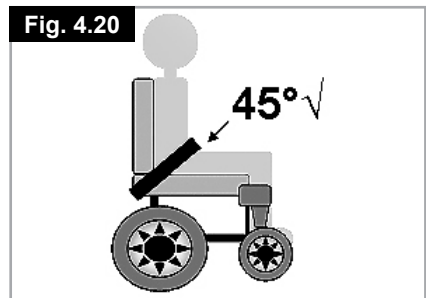
Fig. 4.15



Fig. 4.19



Fig. 4.20



4.32 VR2 Controller (Fig. 4.21)

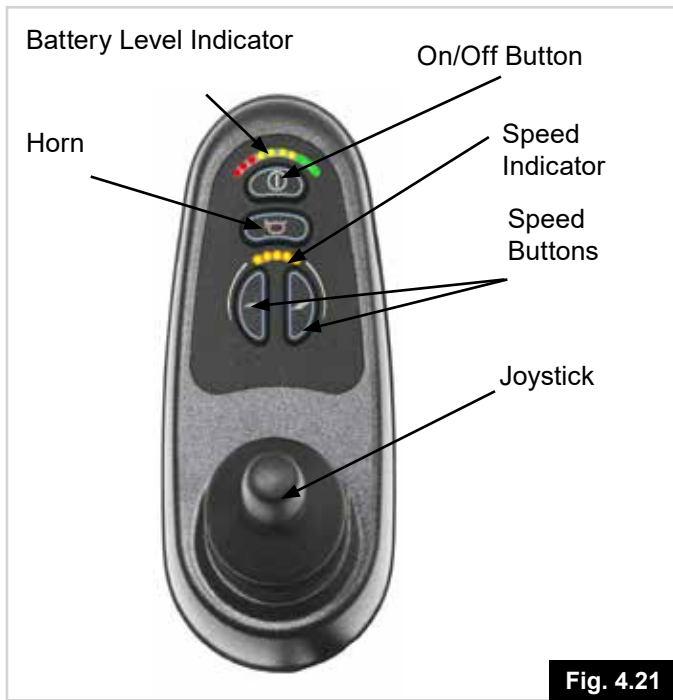


Fig. 4.21

WARNING!

- Avoid knocking your control system and especially the joystick.
- Be careful not to strike obstacles with the control system or joystick when you drive.
- Never drop the control system.
- When transporting your wheelchair, make sure that the control system is well protected.
- Avoid damage to cables.
- To improve the reliability of the control system keep exposure to extreme conditions to a minimum.
- Do not expose your control system or its components to damp for prolonged periods.
- If your control system becomes contaminated with food or drink clean it off as soon as possible.

DANGER!

- In the event of the wheelchair moving in an unexpected way **RELEASE THE JOYSTICK**. This action will stop the wheelchair under any circumstances
- Do not operate the control system if the wheelchair behaves erratically or shows abnormal signs of heating, sparks or smoke. Turn the control system off at once and consult your Sunrise approved dealer.



R-net Control

Please refer to your R-net Owner's Manual for details.

5.0 Preparing your wheelchair for use

5.1 Handling the wheelchair

NOTE: To dismantle the wheelchair for transport or storage no tools are required.

List of components when dismantled (components below are related to the maximum detachable parts and dependent on the type of seating system chosen):

- 1 pair of legrests, (Standard Seat).
- 1 backrest, (Standard, Jay/ Jay Comfort)
- 1 drive unit with seat frame

5.2 Preparation for transportation or storage

Standard Seat.

- First remove the swing-away legrests by pulling the the clip out and lifting the legrest upwards, (Fig.5.1-5.2).
- Leave the armrests in the fold down position.
- Release and lift off the backrest at the frame, (Fig.5.3-5.4). Now you can store the chassis part.



Fig. 5.1



Fig. 5.2



Fig. 5.3



Fig. 5.4



Fig. 5.5

⚠️ WARNINGS!

- Make sure, when the wheelchair is stored or left in the car or anywhere else, the controller is switched off and the freewheel mechanisms are engaged, (in Drive).
- If there is a need to lift the drive unit, use the rear castor arm and the drive wheel. Caution should be taken if the wheelchair is in freewheel.

5.3 Re-Assembling

Replace the backrest into the receivers and tighten the lever screws carefully. If required reconnect the remote controller. Attach the hangers. Make sure your freewheel mechanisms are engaged. Now you are ready to drive the wheelchair.

⚠️ WARNING!

- Never lift the wheelchair by the armrests or the leg rests, since they are detachable and harm could be done to the user or to the wheelchair.

NOTE: See section 12.6 for hoisting instructions.

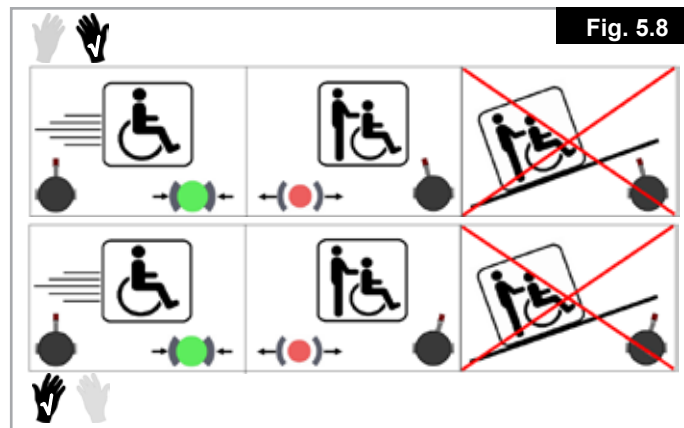
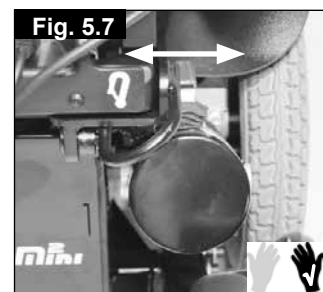
5.4 Brake release

SALSA M² Mini (Fig.5.6 - 5.8)

By rotating the red lever inwards on both sides of the motor the brakes are released from the motors.

⚠️ DANGER!

- The Brake release is only to be used in an emergency power breakdown situation e.g. Where a large distance has to be covered to get the user home or into a safe environment.
- Brake release can also be used if a complete and catastrophic loss of power such as control system failure or battery failure has occurred.
- Brake release should not be habitually used as a means of transporting the user as if in a manual wheelchair.
- When the power wheelchair is functioning normally, the brake release should only be used to park or store the unoccupied wheelchair .
- Never push the occupied power wheelchair up or down a slope with the Brake release in operation.



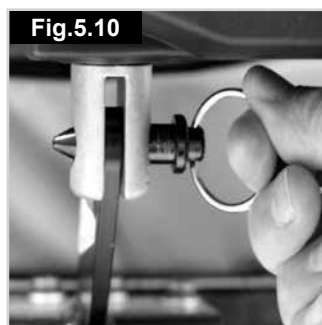
Please ensure the controller is switched off before you engage the release levers – Failure to do so will increase the force needed to push the wheelchair.

DANGER!

- This may only be used in an emergency, or if you need to manually push your wheelchair. It is not intended for permanent use or to push the wheelchair up/down a slope with the user sitting in it.
- The wheelchair's automatic braking system will not work unless the brake release levers are in the "drive" position.
- Motor surfaces can be hot after use. Be careful not to touch the motor casing when disengaging the freewheel.
- Never attempt to disengage the brake release mechanism whilst sitting in the wheelchair, especially on a slope.
- Always ensure the Brake release levers are returned to the drive position.

5.4.1 Folding The Gas/Powered Reclining Backrest (Standard Seat).

1. Pull the retaining pin out, (Fig.5.9).
2. Pull the pivot pin out, (Fig.5.10).
3. Undo the backrest lever bolts, (Fig.5.11).
4. Lay the backrest on the seat, (Fig.5.12)



5.5 Drive wheel suspension Salsa

The Salsa M2 Mini has an effective and adjustable drive wheel suspension system as a standard feature. To match your requirements on drive comfort, the tension of the springs at the damper can be adjusted, (Fig. 5.13 & 5.14). Consult your dealer for suspension adjustment.



5.6 Control joystick unit position

⚠️WARNING!

- Make sure that the control system is mounted securely and that the joystick position is correct.
- The hand or limb you use to operate the joystick should be supported, for example by the arm pad.
- Do not use the joystick as the sole support for your hand or limb - wheelchair movements and bumps could upset your control.

Positioning the Joystick Unit:

- Use a 3.0 mm Allen key, (hexagon wrench).
- Loosen the small set screw, (C-Fig.5.16).
- Move the joystick to the required position.
- Tighten the set screw.

You may wish to adjust the Armrest position to match the new Joystick position:

- Use a 5.0 mm Allen key, (hexagon wrench).
- Loosen the two Allen screws, (Fig.5.15, A).
- Slide the Armrest to it's new position.
- Retighten the two Allen screws

⚠️WARNING!

Ensure all screws are fully tightened prior to use, especially when transporting your wheelchair .

To adjust the height of the Control Joystick Unit relative to the Armrest, (0 - 60.0 mm available adjustment):

- Use a 5.0 mm Allen key, (hexagon wrench).
- Loosen the Allen screw, (Fig.5.16, B).
- Move the unit to the desired position.
- Retighten the Allen screw.

⚠️WARNING!

Ensure the Allen screw is fully tightened prior to use, especially when transporting your wheelchair .

5.7 Getting ready to drive. (Fig.5.17).

- Operate the on/off switch, (A).
- The battery gauge will blink then remain on after a second
- Check that the maximum speed is set to a level which suits you, (B).
- Push the joystick to control the speed and direction of the wheelchair , (C).

NOTE: Please refer to Section 7

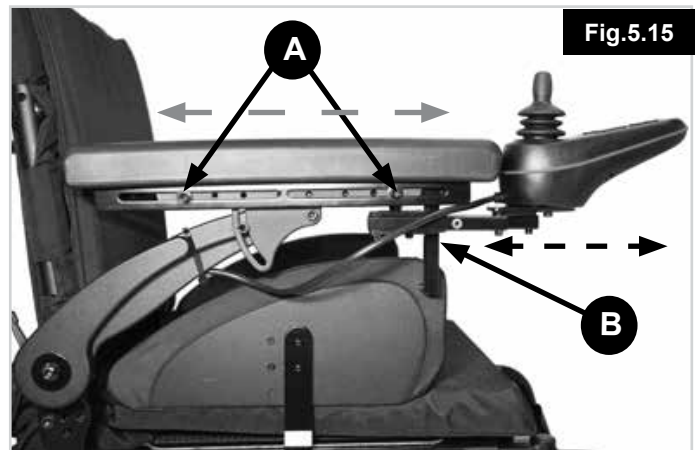


Fig.5.15

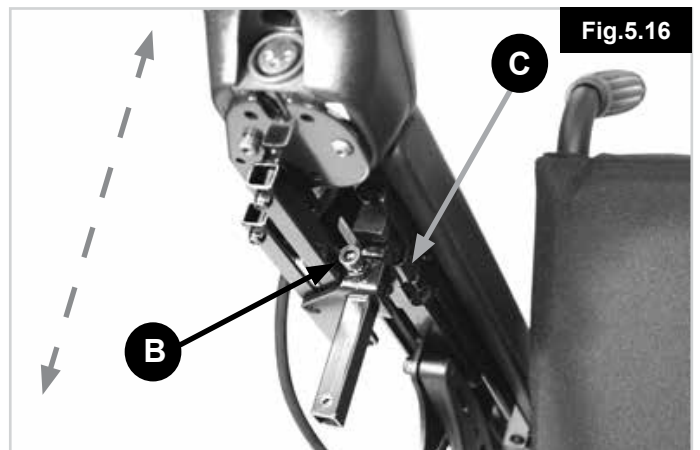


Fig.5.16

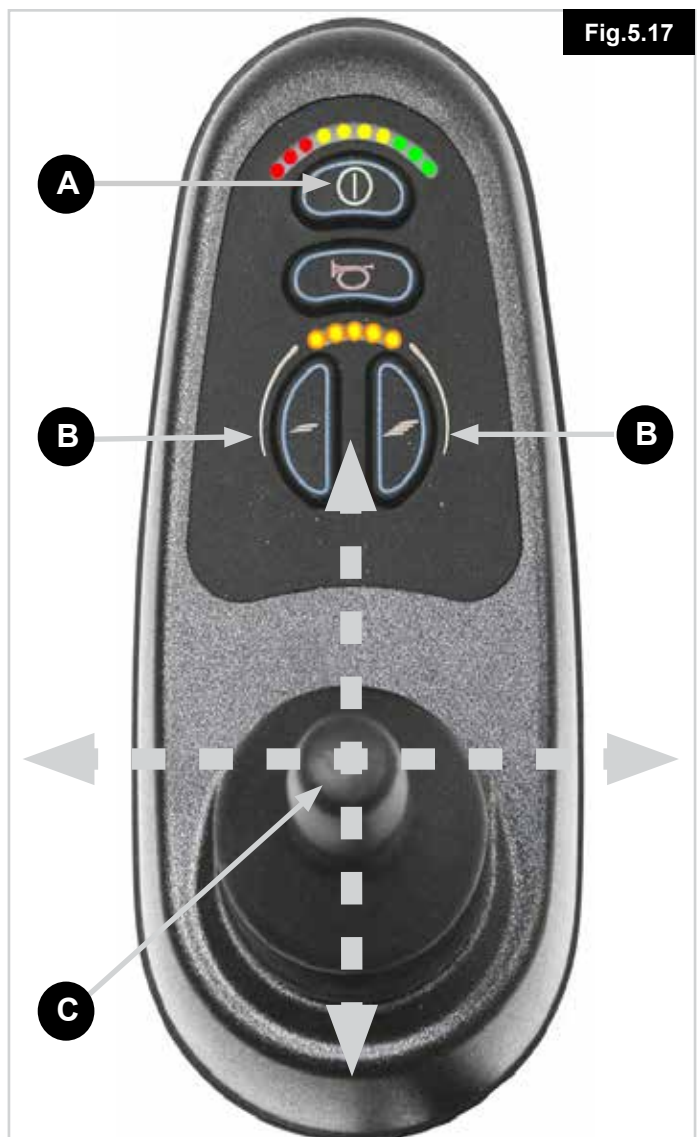


Fig.5.17

5.8 Armrests

5.8.1 Armrests Flip Up, Standard Armrest.

The armrests on both sides of the wheelchair can be flipped up to allow side transfer, (Fig. 5.18).

- For side transfer flip the armrest all the way up until it goes into its mechanical stop. This frees your space for side transfer.
- To bring the armrests back into their position flip it all the way down until it sits on its mechanical stop. Guide it in its downward movement and do not let it fall on its own.

Armrest Flip Up, Reclining arm rest:

NOTE: The recline armrest flip up, is exactly the same as the standard armrest.

The armrests on both sides of the wheelchair can be flipped up to allow side transfer, (Fig. 5.18).

- For side transfer flip the armrest all the way up until it goes into its mechanical stop. This frees your space for side transfer.
- To bring the armrests back into their position flip it all the way down until it sits on its mechanical stop. Guide it in its downward movement and do not let it fall on its own.

5.8.2 Standard and Recline Armrest Fine Height Adjustment, up to 25 mm:

1. Use a 5.0 mm Allen key, (hexagon wrench), to loosen the two arm pad angle pivot bolts (A) on both armrests. (Fig.5.19).
2. Use a 6.0 mm Allen key, (hexagon wrench), to loosen the rotation bolts on both armrests (B).
3. Use a 5.0 mm Allen key, (hexagon wrench), to rotate the height adjustment screw (C) to fine tune the height. Turn counter-clockwise to increase height or clockwise to lower, (Fig.5.20).
4. Tilt both arm pads down, (or up in the case of a lowered armrest), until the arm pads are in the preferred angle. Check to see if the height is correct, Retighten both armrest pivot bolts, (A). (Fig.5.21).
5. Rotate (C) for fine adjustment.
6. Retighten the 6mm rotation bolts on both armrests, (B). (Fig.5.19).
7. Use 20 N/m or 177 in/lb of torque.
8. Retighten both arm pad angle pivot bolts "A". Use 10 N/m or 88.5 in/lb of torque for both sets of bolts, (Fig.5.22).

WARNING!

Check all bolts periodically for tightness. If loose the armpad could slip down when pressed.



Fig. 5.18

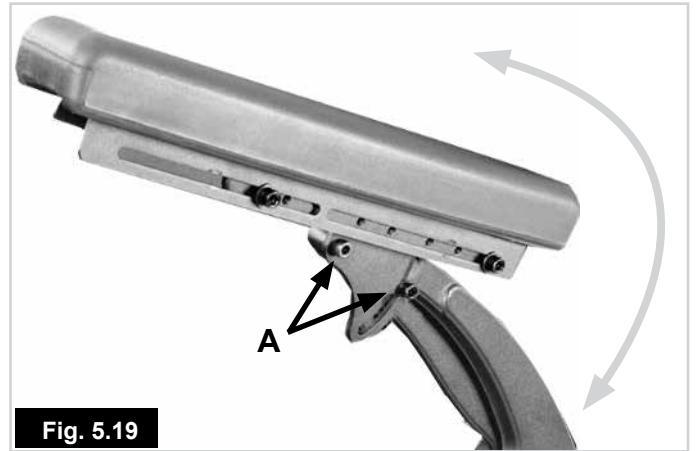


Fig. 5.19

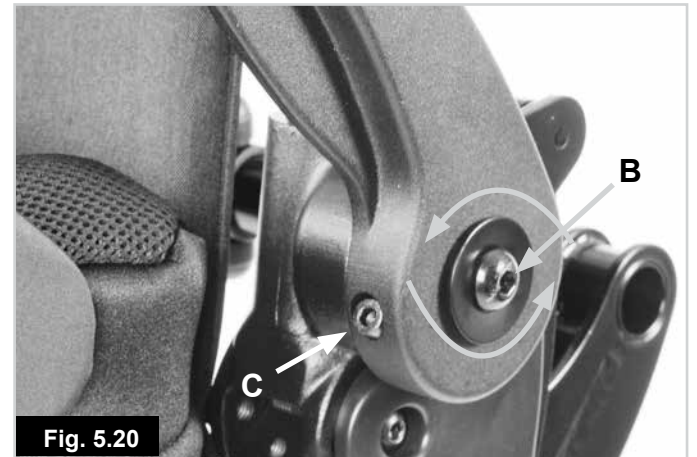


Fig. 5.20



Fig. 5.21

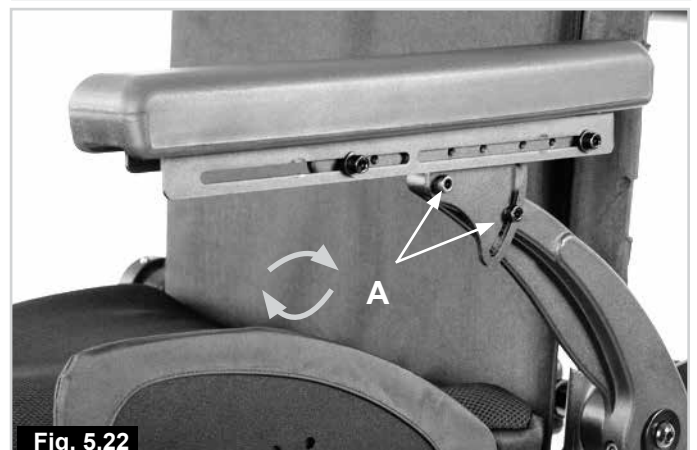


Fig. 5.22

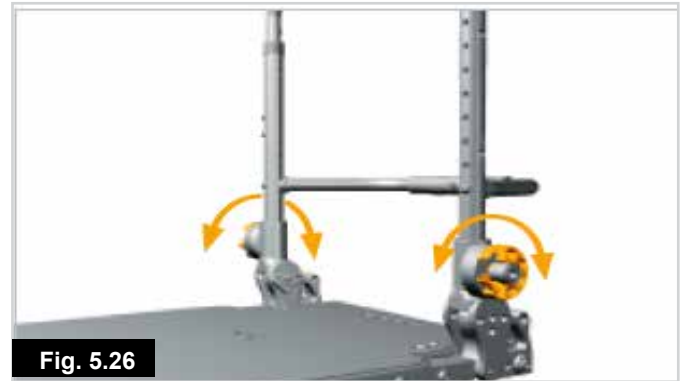
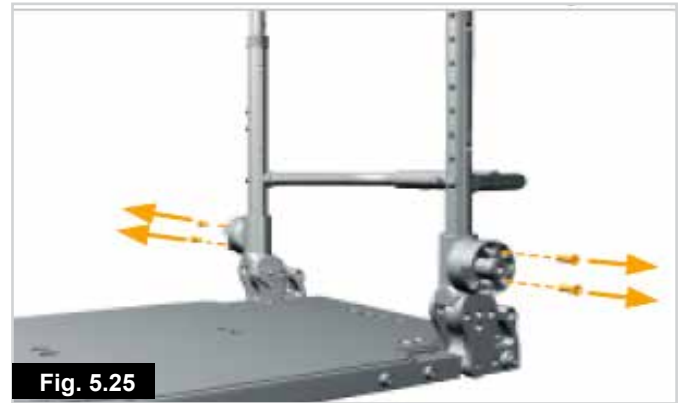
5.8.3. Standard and Recline Armrest Coarse Adjustment.

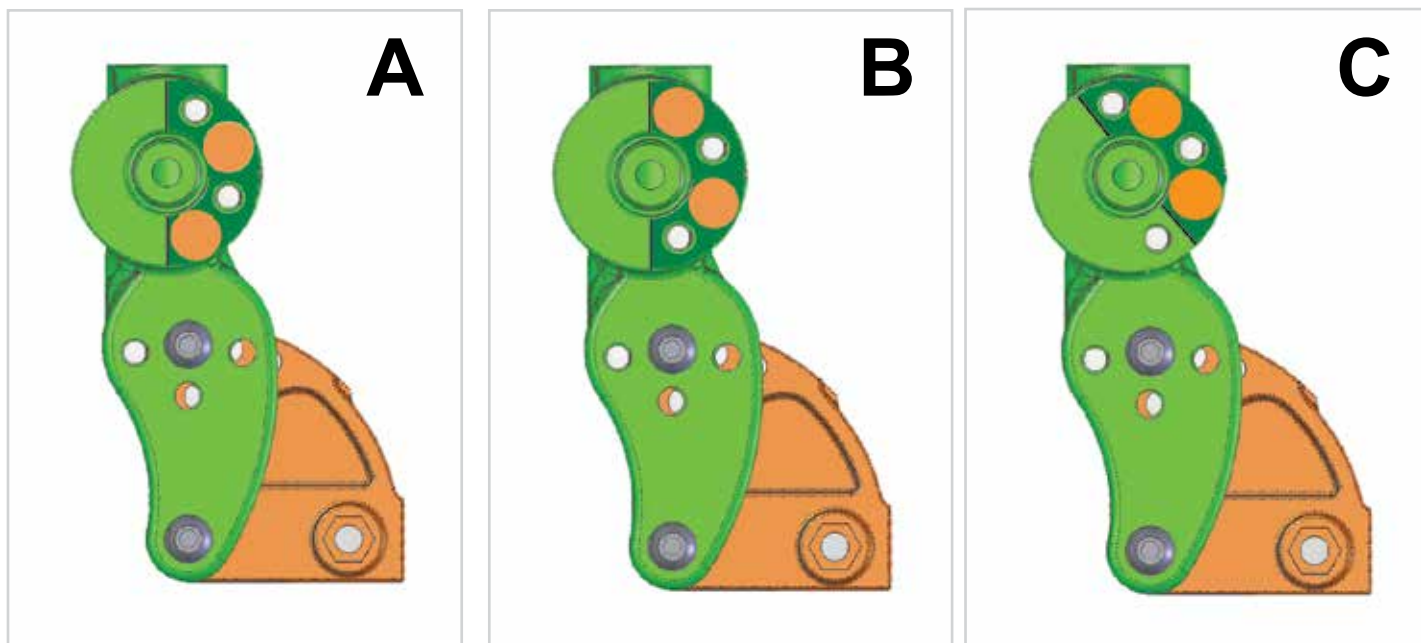
To achieve more than 25 mm Height Adjustment:

1. Use a 6.0 mm Allen key, (hexagon wrench), to loosen the rotation bolts on both armrests (B), (Fig.5.23).
2. Remove both armrest assemblies, (Fig.5.24).
3. Remove both sets of 4mm armrest adjustment ring bolts, (Fig.5.25).
4. Rotate both the armrest height adjustment rings, (Fig.5.26) ,to match the desired height designated in the Configuration Chart, (Fig.5.35), on next page.
5. Replace both sets of armrest adjustment ring bolts according to the configuration chart overleaf. (Fig.5.29)
6. Use 10 N/m or 88.5in/lb of torque.
7. Refit both armrest assemblies. (Fig.5.28)
8. Refit the armrest pivot bolts on both sides of the seat, but do not tighten completely, (Fig.5.23).
9. Follow steps, 2 to 8 in the previous section 5.8.2.

⚠WARNING!

Check all bolts periodically for tightness. If loose the armpad could slip down when pressed.





STANDARD CONFIGURATION CHART		
BACKREST ANGLE (Degrees)	ARMREST HEIGHT (mm)	SETTING RING POSITION
-4	305 - 254	A
-4	252 - 229	B
0	305 - 254	A
0	252 - 229	B
4	305 - 267	A
4	279 - 229	B
8	305 - 229	B
12	305 - 229	B
12	248 - 229	C
16	305 - 254	B
16	260 - 229	C

Fig. 5.29

5.8.4 Standard Arm pad Position Adjustment

To Adjust the Arm Pad Depth:

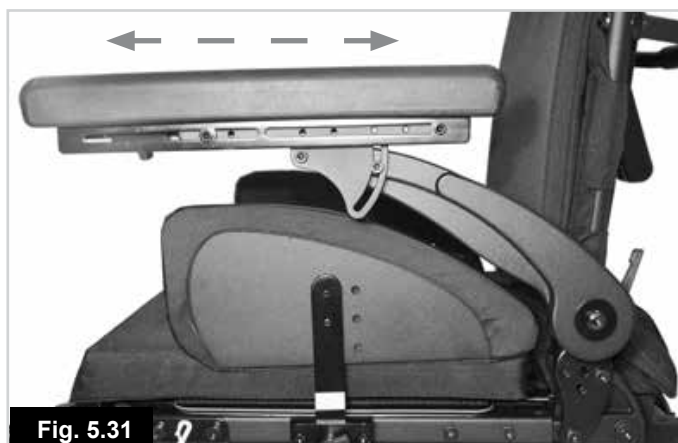
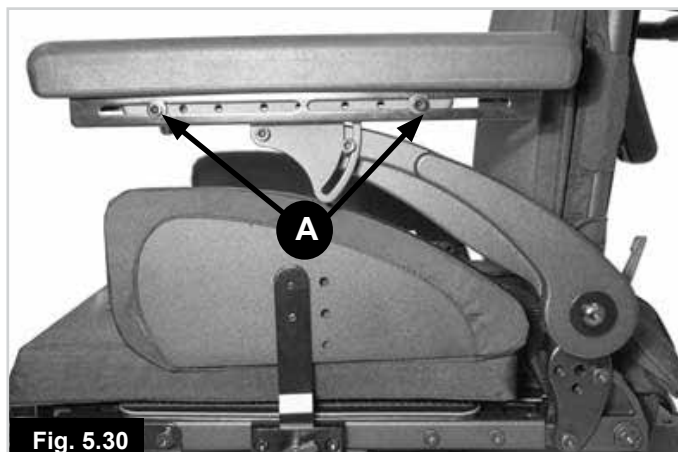
1. Using a 5.0 mm Allen Key, (Hexagon Wrench), loosen the two arm pad adjustment screws (A).
2. Slide the arm pad forward or backward as required.
3. Retighten both adjustment screws (A). Use 10 N/m or 88.5 in/lb of torque, (Fig.5.30, 5.31).

WARNING!

Ensure the two Allen screws are fully tightened prior to use, especially when transporting your wheelchair .

CAUTION!

Please check that the new arm rest position does not interfere with any seat positioning settings.



5.8.5 Arm Rest Replacement

Please refer to your appropriate armrest type.

To Remove The Standard Armrest:

- Use a 6.0 mm Allen Key, (Hexagon Wrench), to undo the rotation screw, (A).
- Remove the screw.
- Pull the Armrest assembly away from the bracket, (Fig.5.32).
- To refit, reverse the above procedure.
- Tighten screw to 20 Nm.

5.9 Leg Rests



WARNING!

- Be aware of your environment to make sure you do not injure your legs when Leg Rests are extended.
- Always ensure that the Leg Rests or foot plates do not come into contact with the castors before driving the wheelchair .
- Leg Rests are not to be used for lifting or carrying the wheelchair under any circumstances.
- As with all moving parts be careful not to trap your fingers.

5.9.1 Uni Leg rest removal

To swing away the leg rest:

- Depress the retaining catch and swing the leg rest out, (Fig.5.33).
- Pull the retaining pin out, (Fig.5.34).
- Lift the leg rest up and off if removal is required, (Fig.5.35).

To refit:

- Line up the holes in the legrest to the studs on the receiver, (Fig.5.35).
- Drop the leg rest into the receiver, (Fig.5.35.1).
- Push the retaining pin back in place, (Fig.5.34).
- Push the leg rest inwards until it clicks shut, (Fig.5.47).

5.9.2 Uni Seat Hanger depth adjustment

- Remove both sets of 5 mm crash test bracket bolts, (Fig.5.36).
- Remove both skirt guard receivers, (Fig.5.37).
- Slide both hanger receivers to the desired location, (Fig.5.38).
- Refit the skirt guard receivers and the crash test brackets.
- Tighten all bolts, (19 - 20 Nm).

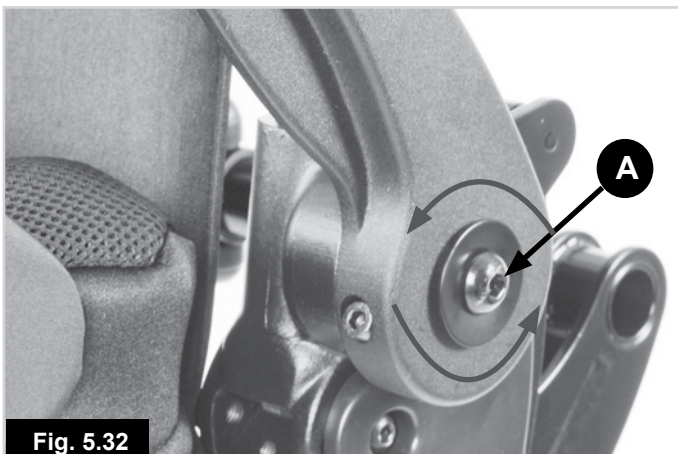
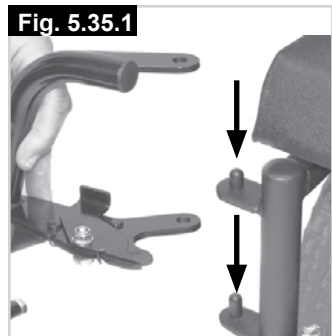
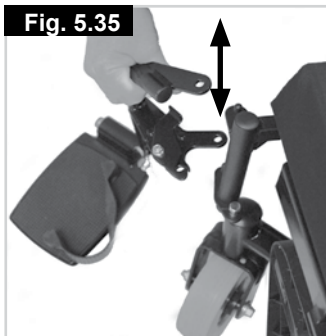
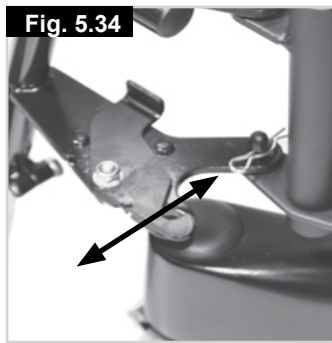


Fig. 5.32



5.9.3 Leg rest removal

To swing away the leg rest:

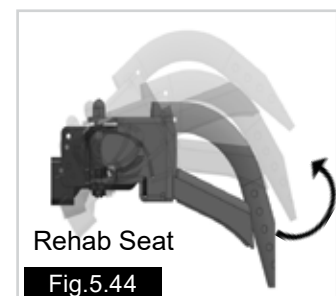
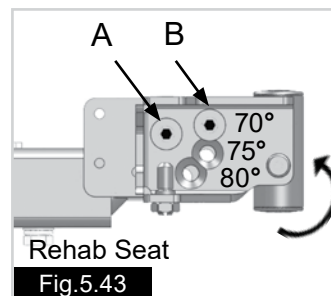
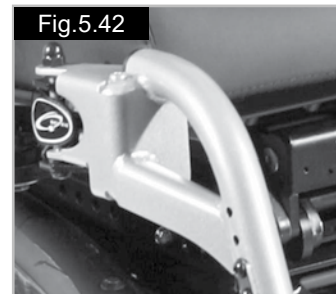
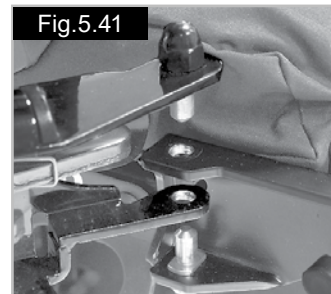
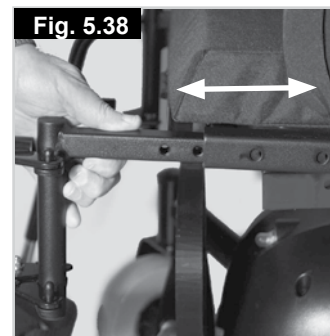
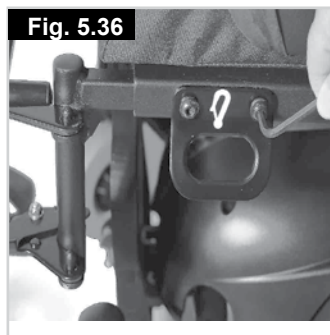
- Depress the retaining catch and swing the leg rest out, (Fig.5.39).
- Lift the leg rest up and off if removal is required, (Fig.5.40).

To refit:

- Line up the holes and studs, (Fig.5.41).
- Drop the leg rest into the receiver.
- Push the leg rest inwards until it clicks shut, (Fig.5.42).

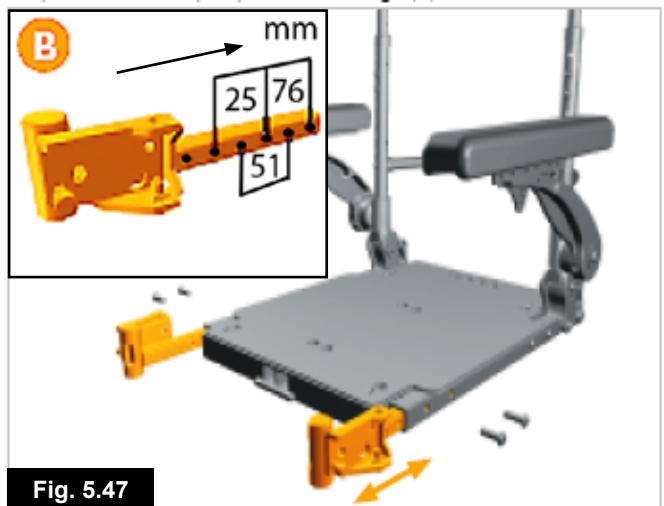
To adjust the angle: (Fig 5.43-5.44).

- Use a 5.0mm Allen key and 13.0mm spanner to loosen stud A,
- Remove stud B.
- Tilt the receiver until the required hole lines up with the top hole.
- Refit the stud



5.9.4 Standard Seat Hanger depth adjustment

- Remove both sets of 5mm hanger depth adjustment bolts, (Fig.5.45).
- Slide both hanger receivers to the desired location, (Fig.5.46, inset B).
- Replace both sets of depth adjustment bolts, (Fig.5.47).
- Use 20 N/m or 177 in/lb of torque.



5.9.5 Foot plates

The foot plates may be flipped up to aid entry and exit from the wheelchair.



WARNING!

Do not use the foot plates to stand on as the full weight of your body may cause the wheelchair to tip forwards. This could result in injury and could damage the foot rests.

5.9.4 Adjusting the foot rest length:

Salsa Type:

To adjust the foot rest length:

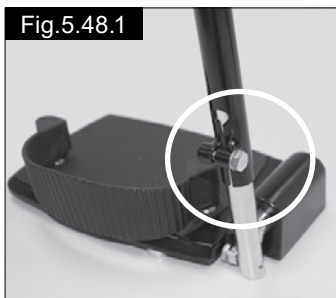
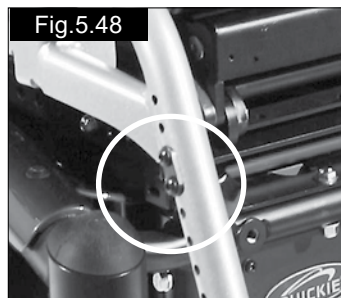
- Remove the bolts/screws on the foot rest stem as shown in (Fig. 5.48),
- Adjust the length to suit.
- Ensure the bolts/screws are firmly located and tightened prior to use.

NOTE: The internal foot rest stem may require cutting down in length to allow the foot plate position to be raised. Contact your approved Sunrise Medical dealer.

Uni Type:

To adjust the foot rest length:

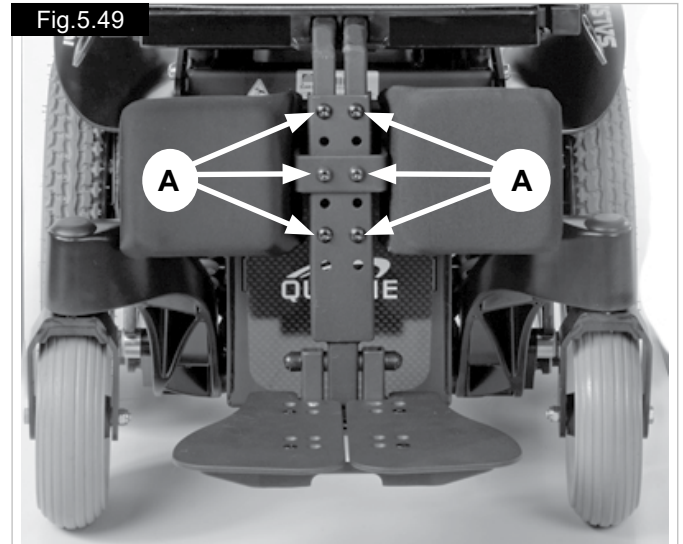
- Use a 11.0 mm spanner to loosen the pinch bolt, (Fig.5.48.1).
- Adjust the length to suit.
- Tighten the pinch bolt.
- Ensure the bolts/screws are firmly located and tightened prior to use.



5.9.6 Manual Centre Mount Leg rest

To adjust the foot rest length:

- Remove the bolts/screws on the foot rest stem as shown in (A-Fig. 5.49),
- Adjust the length to suit.
- Refit bolts/screws.
- Ensure the bolts/screws are firmly located and tightened prior to use.



5.9.7 Manual Articulating / Elevating Leg rest

To elevate:

Pull the leg rest upwards and stop at the desired height. The leg rest will automatically lock in the chosen position.

To lower:

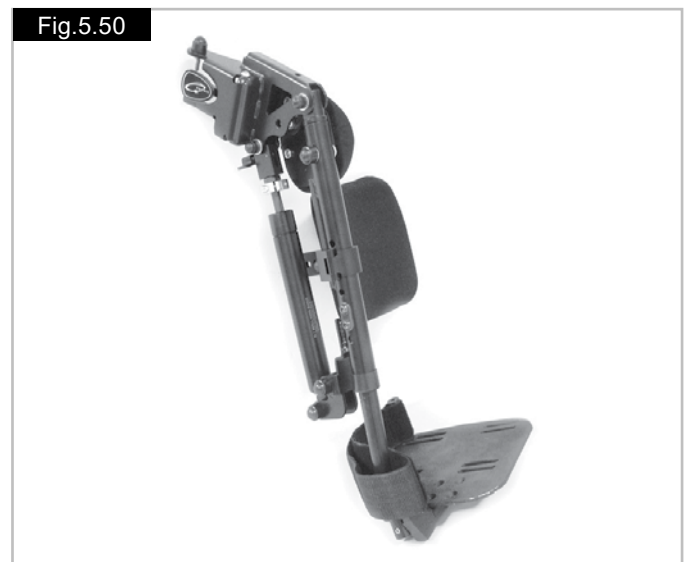
Push the release lever slowly forward. The leg rest will lower the angle. As soon as you release the lever, the leg rest will be locked in the current position, (Fig.5.50).



WARNING!

Keep hands clear of the adjustment mechanism between the frame and the movable parts of the leg rest while elevating or lowering the leg rest.

Keep hands clear of the adjustment mechanism between the frame and the movable parts of the leg rest while elevating or lowering the leg rest.



5.9.8 Powered elevating leg rest, (ELR, Fig.5.51) or articulating leg rest, (ALR, Fig.5.52).

NOTE: Both left and right leg rests can also be operated simultaneously.

To operate a powered ELR, or ALR leg rest:

VR2 Control:

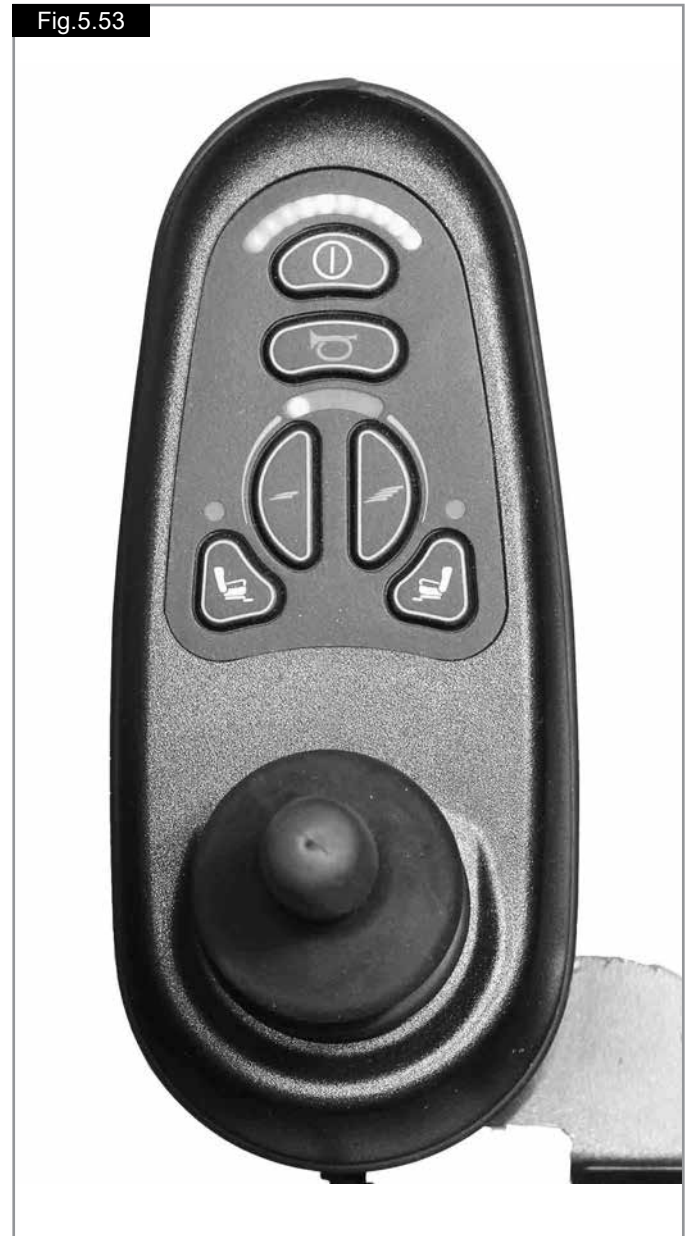
The actuator buttons can operate any factory approved actuator. Operation is dependent on what options are fitted to your wheelchair, (Fig.5.53).

To operate the leg rests, seat tilt, seat lift or backrest recline:

- Push one of the actuator buttons that has the seat icon on it to select actuator mode.
- Operate the joystick left or right to select the actuator required (actuator 1 or actuator 2). Selection is indicated via the lighting of the red LED adjacent to the desired actuator button.
- Operate the joystick in the forward or rearward direction to move the leg rest/seat lift/tilt or recline up or down.
- Release the joystick when the desired angle is reached.
- To return to drive mode press the actuator button again.

CAUTION!

Once the leg rest is fully lifted or in its lowest position do not hold the joystick in its operating position as this could damage the actuator.



6.0 Seating

6.1 Firm seat board

The firm seat board is designed to allow pressure relief cushions such as Jay to be used, (Fig.6.1).

6.2 Seat cushions

Seat cushions supplied by Sunrise Medical will have Velcro® strips that correspond to patches on the seat, (Fig.6.2).

WARNING!

You must ensure these are aligned prior to using the wheelchair . Other cushions used should also have Velcro® strips in a similar position to ensure the cushion does not slip off the seat.

NOTE: The seat cushions, supplied by Sunrise Medical all have removable covers.

6.3 Removable seat covers

The seat covers are all fully removable using zips or Velcro®. Once brackets are removed seat covers can be removed. The zip for the backrest is located on the underside of the cushion.

6.4 Backrest upholstery

The wheelchair is supplied with optima backrest upholstery, which can be adjusted in tension to the individual's requirements.

Tension adjustable back:

To change the shape and/or tension of the 'Optima' backrest, remove the padded cover from the rear of the backrest and expose the tension straps. Loosen or tighten the straps to suit. (The most comfortable and supportive position is achieved with the wheelchair user seated in the wheelchair). Ensure the straps are securely fastened and replace the padded cover prior to use, (Fig.6.3).

6.5 JAY backrests

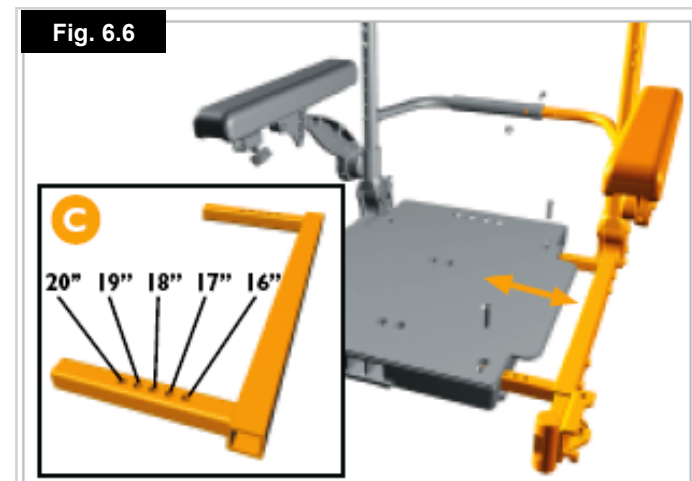
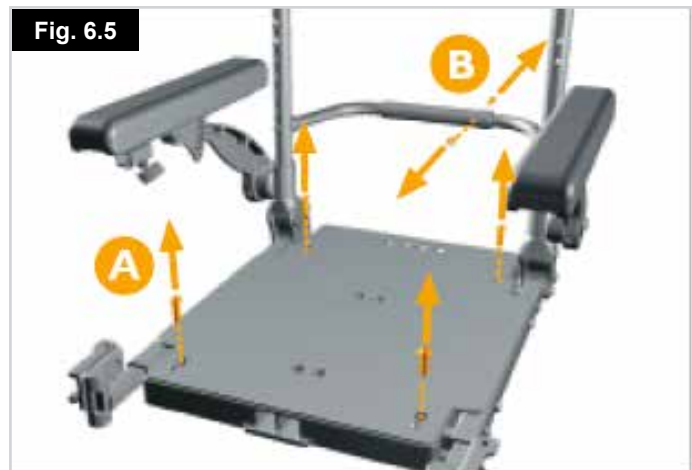
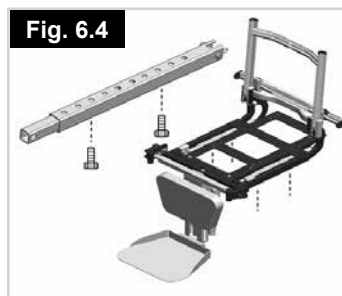
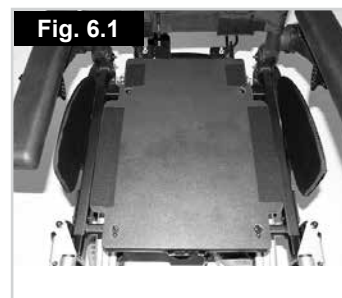
The rehab backrest assembly will allow the fitting of a JAY backrest, which is available as an optional extra.

WARNING!

You must ensure all 4 screws are securely tightened and the backrest is correctly and firmly in position prior to using your wheelchair.

6.6 Standard Seat width adjustment

1. Remove the 5mm width adjustment bolts (A) and the 4mm towel bar adjustment bolt (B), (Fig.6.5) .
2. Move the left side seat rail, armrest and backrest assembly to the desired position. See seat width position settings (C), (Fig.6.6). Refit bolts and tighten to 10Nm, (A-B)



6.7 Standard Seat height adjustment

WARNING!

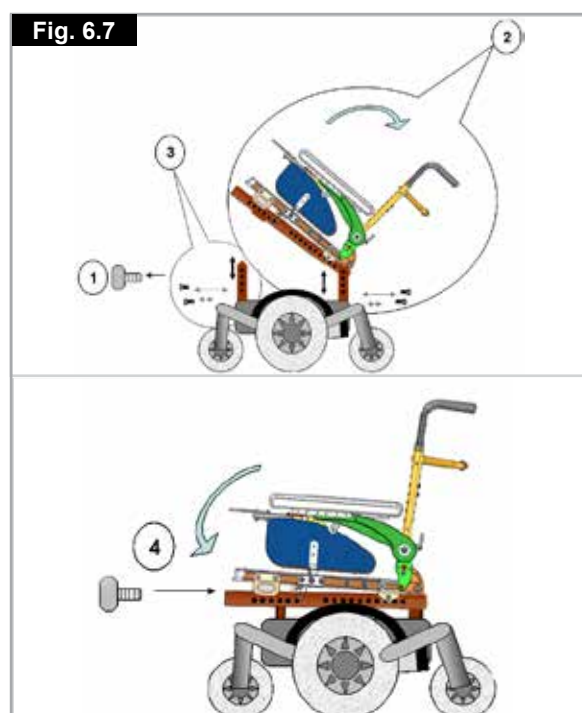
- Sunrise Medical strongly recommend that you contact your Sunrise Medical dealer to carry out this task.
- Make sure the top frame does not trap your fingers. Get someone to hold the seat steady during adjustment.

To change the seat height:

- Release the two handle screws under the front of the seat frame that connect the seat frame with the seat module interface.
- Flip the seat frame backwards and secure it with the safety bar, (like the bonnet of a car).

CAUTION!

- Depending on options, the seat may be heavy to lift. It is recommended that two people carry out this action.
- Avoid pivoting the seat more than 60° rearwards.
- Remove the 2 socket studs from the back seat posts.
- Lift/lower the seat to the required position.
- Align the holes then refit & tighten the socket studs.
- Remove the 2 socket studs from the front seat posts.
- Lift/lower the posts to match the required position.
- Align the holes then refit & tighten the socket studs.
- Close the seat, refit & tighten the hand wheels, (fig.6.7).

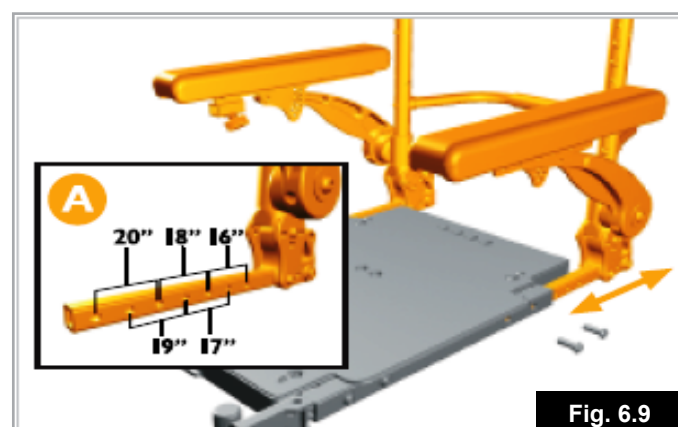


6.8 Standard Seat Depth Adjustment

1. Remove the 5mm depth adjustment bolts from both sides of the seat, (Fig.6.8).



2. Slide the rear backrest and armrests into the desired seat depth position. Reference seat depth position patterns (A), (Fig.6.9).



3. Replace both sets of depth adjustment bolts. Use 20 N/m or 177 in/lb of torque, (Fig.6.10).



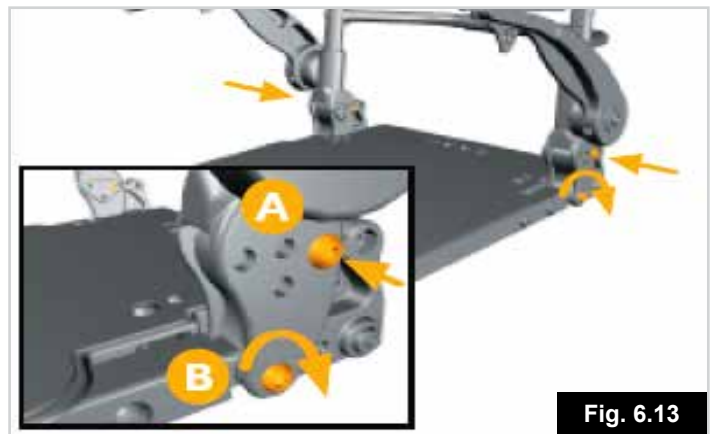
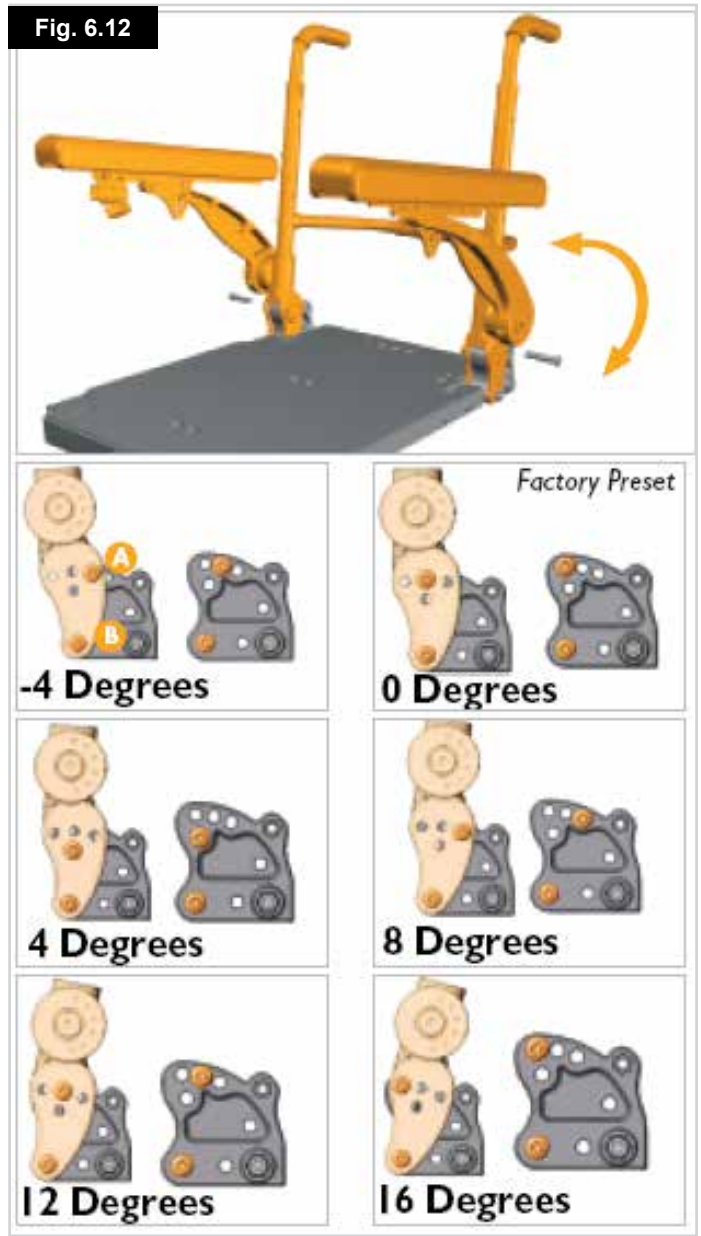
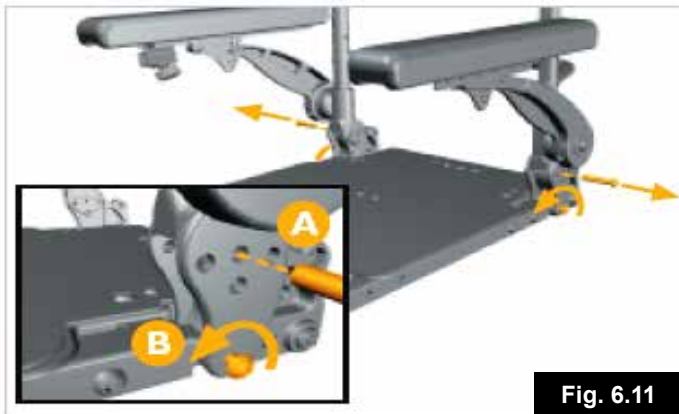
6.9 Backrest Angle Adjustment

1. Remove the 5mm backrest bracket index bolts (A) on both sides of the backrest. Loosen the 5mm backrest bracket pivot bolts (B) on both sides of the backrest.

NOTE: The index bolt (A) may be in a different starting position than shown below in Fig.6.11.

2. Tilt the backrest assembly forward or backward to the desired angle. See angle configurations below, (Fig.6.12).
3. Reinsert and tighten both backrest bracket index bolts and bracket bolts (A & B). Use 20 N/m or 177 in/lb of torque, (Fig.6.13).

NOTE: Figure 6.13 represent the 8° angle.



6.10 Back Height Adjustment

1. Begin by removing the upholstery cover, (Fig.6.14).



2. Loosen the upholstery straps. It is not necessary to remove the upholstery, (Fig.6.15).



3. Remove the top upholstery screws. The upholstery can now be moved and vertically compressed to provide access to the hidden Phillips-head bolts, (Fig.6.16).



4. Remove the 4mm towel bar bolts and the towel bar, (Fig.6.17).



NOTE: This step is not necessary in every case. If the push handles are high enough, the towel bar bolts might not thread into the push handle tubes. To test, skip this step and move to Numbers 5 and 6. If the towel bar does not impede movement of the push handles, the towel bar may be left intact.

5. Remove the 4mm back post adjustment bolts, (Fig.6.18).



6. Move both back posts to the desired height, (Fig.6.19).



7. Replace the backpost adjustment screws. Use 10 N/m or 88.5 in/lb of torque, (Fig.6.20).



8. If removed in Number 4, replace the towel bar and the towel bar bolts. Use 10 N/m or 88.5 in/lb of torque, (Fig.6.21).

NOTE: The towel bar may be repositioned at this point as well.



9. Replace both top upholstery bolts. Ensure the bolts thread through the top upholstery eyelets (A), (Fig.6.22).



10. Retighten the upholstery straps, (Fig.6.23).



11. Reattach the upholstery cover, (Fig.6.24).



6.11 Manual adjustable backrest (Standard seat)

For depth adjustment see section 6.8.

To recline the backrest angle:

- Pull the lever at the top of the backrest which operates the gas strut.
- Hold the lever and adjust the back angle required.
- If you release the lever, the angle will stay in the adjusted position.
- If you want to adjust the backrest into the upright position, you might need to support the upward motion (Fig.6.25).



Fig. 6.25

6.12 Manual setting of the seat angle.

To set the seat angle, release the bolt fixing the “Banana” bracket between the seat interface module and the seat packer module. Set the seat angle at, 3° or 6° and 9°, then replace and retighten the bolt between the seat interface module and the seat packer module. (Fig.6.26).

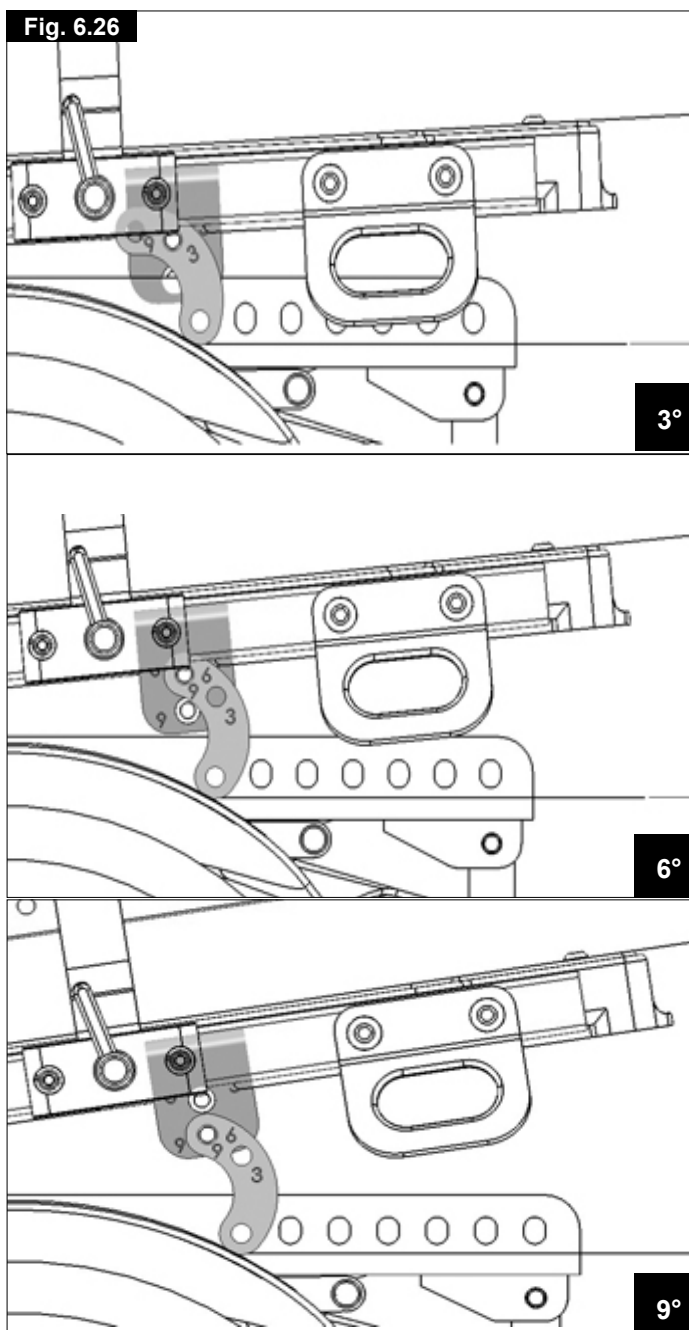


Fig. 6.26

3°

6°

9°

6.13 JAY backrests

The standard backrest assembly will allow the fitting of a JAY backrest, which is available as an optional extra.

6.14 Headrest

To fit the Standard headrest, fit the location bracket to the push handles, using the screws and nuts supplied, ensuring that they are fully tightened.

To fit the Rehab headrest, fit the location bracket to the backrest bracket, using the screws and nuts supplied, ensuring that they are fully tightened.

Adjusting the Headrest (All).

The headrest height is changed by loosening the adjustment knob and sliding the inner vertical tube to the desired position and tightening the knob. The headrest to seat depth is adjusted by loosening the 6mm Allen screws and moving the hinge to the desired position and then tightening the screws securely. To adjust the headrest angle, loosen the screws at the headrest upholstery, position the headrest as required and tighten the screws securely. (Fig.6.27).

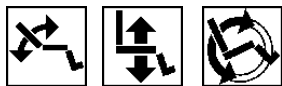


6.15 Powered Seating

Powered adjustable backrest.

Powered seat Lift.

Powered Seat Tilt



⚠️ WARNINGS!

- Lowering the backrest by an angle of greater than 15° from vertical alters the balance of your wheelchair. Never exceed 15° of recline when on any gradient or when driving your wheelchair.
- Operating the powered tilt greater than 9° from its lowest position will bring the wheelchair into "creep mode". If this operation occurs simultaneously with the seat lifted the wheelchair will be inhibited and will not drive.

Elevating the powered lift from its lowest position will bring the wheelchair into "creep mode". Resetting the powered lift to its lowest position will allow full speed.

VR2 CONTROL (Fig.6.28)

⚠️ WARNING!

It is possible to reverse the direction of an actuator relative to the direction of the joystick. Ensure you know which direction to move the joystick for the desired operation. Failure to do so may result in damage and/or injury.

NOTE: Please refer to Section 7 or 8 for details of your hand control.

NOTE: If fitted, all of the above power seating options are controlled via the VR2 Control, in the same way. Please see the section, "To operate the Actuators", below.

NOTE: The seat can lift up to 300 mm by operating it through your control system.

To operate the Backrest Actuators:

- Push the mode button to select actuator mode
- Operate the joystick left or right to select the actuator required (actuator 1 or actuator 2). Selection is indicated via the lighting of the orange LED adjacent to the desired actuator number.
- Operate the joystick in the forward or rearward direction to move the backrest up or down.
- Release the joystick when the desired angle is reached.
- To return to drive mode, press the actuator button again.

⚠️ CAUTION!

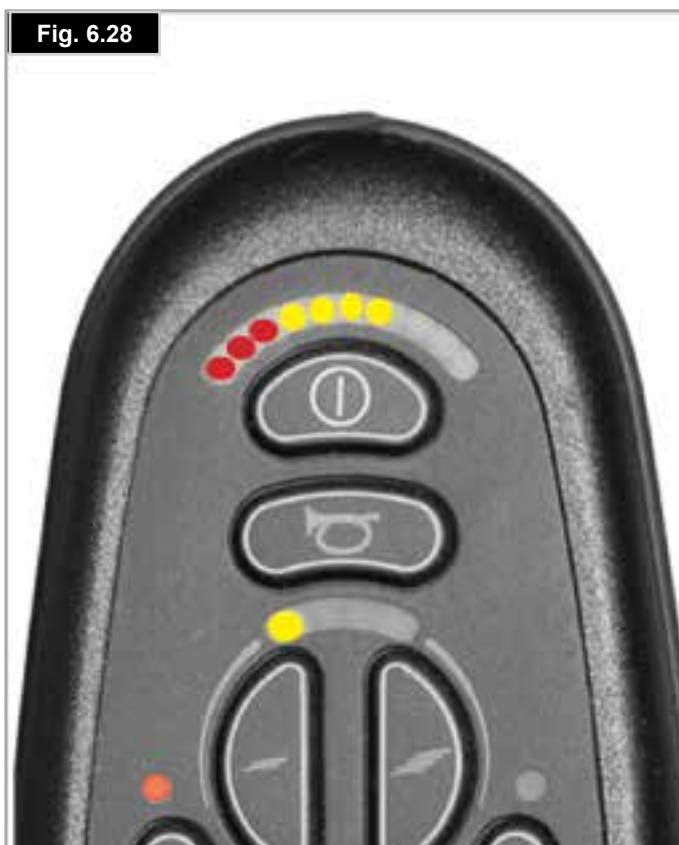
Once the back is fully reclined/forward, or the lift is fully raised/lowered, or the seat is fully tilted backwards/forwards, do not continue to hold the joystick in its operating position as this could damage the actuator.



R-net Control

Please refer to your R-net Owner's Manual for details.

Fig. 6.28



6.15.2 Powered seat lift

The seat can lift up to 300 mm by operating it through your control system.

WARNING!

- Before operating the seat lift function ensure that the immediate area around the wheelchair is clear of possible obstructions,
- (eg wall shelving), and potential hazards, (eg small children and pets).
- Operating the tilt will limit the drive speed of the wheelchair .
- Operating the seat lift and another electric option will stop the drive all together.

VR2 Control:

To operate the powered lift:

- Push one of the actuator buttons that has the seat icon on it to select actuator mode.
- Operate the joystick left or right to select the actuator required (actuator 1 or actuator 2). Selection is indicated via the lighting of the red LED adjacent to the desired actuator button.
- Operate the joystick in the forward or rearward direction to move the seat lift up or down.
- Release the joystick when the desired height is reached.
- To return to drive mode press the actuator button again.

CAUTION!

Once the seat is fully raised or fully down, do not hold the joystick in its operating position as this could damage the actuator



R-net Control

Please refer to your R-net Owner's Manual for details.

6.15.3 Powered seat tilt

The seat can be tilted by operating your control system.

VR2 Control:

To operate the powered tilt please follow the instructions listed in section 6.11.2, but select the actuator button associated with the Tilt function.

WARNING!



- Before operating the seat Tilt function ensure that the immediate area around the wheelchair is clear of possible obstructions, (Fig. 6.29).
- (eg wall shelving), and potential hazards, (eg small children and pets).
- Operating the seat Tilt will limit the drive speed of the wheelchair .
- Operating the seat Tilt and another electric option will stop the drive all together.



R-net Control

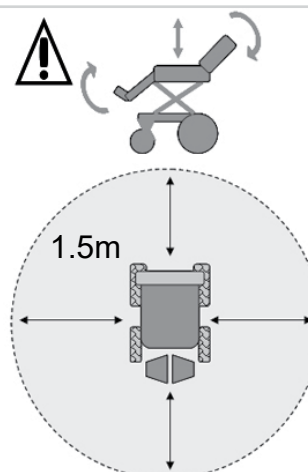
Please refer to your R-net Owner's Manual for details.

NOTE: With the seat lift raised the maximum speed is limited to approximately 10% of its normal value. This is known as "Creep Mode".

Raising the seat in combination with other powered seating options, such as tilt/recline/leg rests, can suspend the normal drive options, (depending on programming). This is quite normal and is a safety feature.

To start driving the wheelchair again, bring the seating options back to their start positions.

Fig.6.29



7.0 Control System

7.0 R-net control system information

An alternative control system called R-net is available as an option for the wheelchair .

The R-net system has extended options and is suitable for individuals with complex needs or when there is a preference for screen based menu options and information displays.

The R-net control system offers simple, effective solutions to many situations, thereby enhancing the lifestyle and independence of the user.

The operation of the R-net wheelchair control system is simple and easy to understand. Both the R-net and VR2 control systems incorporate state-of-the-art electronics, the result of many years of research, to provide you with ease of use and a very high level of safety.

Because of the comprehensive nature of the R-net control system, a separate R-net Owner's Manual is supplied whenever this system is fitted.



Please refer to the R-net Owner's Manual for details of R-net hand control functions.

7.0.1 Gyro Module

If your Salsa M2 Mini is fitted with the R-net control system, a Gyro Module with the latest GYRO module technology can be fitted.

Gyro technology adds an extra dimension to controlling a wheelchair, by maintaining the desired drive direction irrespective of the external forces acting upon the wheelchair.

GYRO benefits are:

- Superior drive control.
- Eliminates spin-out.
- Eliminates fish-tailing.
- Enhances control on cambers.
- Straight line driving over obstacles.
- Enhances drive profiles when switched speciality controls, (such as head arrays), are used.

WARNING!

- The Gyro CANNOT be used on moving vehicles, such as buses, trains or boats. When travelling on moving vehicles the GYRO MUST be disabled by selecting drive profile 1 on your controller.
- DO NOT remove the GYRO from your product. If the GYRO is disconnected the powerchair maximum speed will be limited by 50%.

7.1 VR2 control system information

On/off button:

The on/off button applies power to the control system electronics, which in turn supply power to the wheelchairs motors.

CAUTION!

Do not use the on/off button to stop the wheelchair unless there is an emergency. (If you do you may shorten the life of the wheelchair drive components).

Battery gauge:

The battery gauge shows you that the wheelchair is switched on. It also indicates the status of the wheelchair . Refer to chapter 8.

Locking/unlocking the wheelchair :

The VR2 control system can be locked to prevent unauthorised use. The locking method is via a sequence of key presses and joystick movements as detailed below.

To lock the wheelchair :

- While the control system is switched on, depress and hold the on/off button.
- After 1 second the control system will beep. Now release the on/off button.
- Deflect the joystick forwards until the control system beeps.
- Deflect the joystick in reverse until the control system beeps.
- Release the joystick, there will be a long beep
- The wheelchair is now locked.

To unlock the wheelchair :

- Use the on/off button to switch the control system on. The maximum speed/profile indicator will be rippling up and down.
- Deflect the joystick forwards until the control system beeps.
- Deflect the joystick in reverse until the control system beeps.
- Release the joystick, there will be a long beep.
- The wheelchair is now unlocked.

Operating the control joystick:

When engaging the main On/Off button, allow a few seconds prior to moving the joystick. This allows the system to self check. If you move the joystick too soon, the battery level indicator display will not illuminate until the joystick is released.

If it is off null for more than 5 seconds a system error will occur. Whilst this is not harmful to your wheelchair, you will need to switch off and then back on to clear the system.

NOTE: This is a safety feature to prevent unintended movement.

Proportional control summary

1. To steer, move the joystick in the direction you wish to go.
2. The further you move the joystick, the faster you will go.
3. The brakes will automatically stop the wheelchair from any speed when the joystick is released.

 **WARNING!**

New users should use slower speeds until they feel confident when driving the wheelchair.

 **WARNING!**

It is important that the wheelchair is stationary when changing direction from reverse to forward.

 **WARNING!**

Always switch off before getting into or out of the wheelchair.

Maximum speed/profile indicator:

This is a gauge which shows the maximum speed setting for the wheelchair or if the control system is programmed for drive profile operation, the selected drive profile. This gauge also indicates if the speed of the wheelchair is being limited or if the control system is locked.

The horn button:

The horn will sound while this button is depressed.

Speed / Profile decrease button:

This button decreases the maximum speed setting or, if the control system is programmed for drive profile operation, selects a lower drive profile.

Speed / Profile increase button:

This button increases the maximum speed setting or, if the control system is programmed for drive profile operation, selects a higher drive profile.

Actuator button and LEDs:

Depending on whether your wheelchair is fitted with one or two actuators the operation of these buttons will differ.

Wheelchairs with one actuator

Depressing either actuator button will enter actuator adjustment mode. This will be indicated by the illumination of both actuator LED's. Actuator adjustment can then be made by deflecting the joystick forwards or backwards. To re enter drive mode, depress either actuator button

Wheelchairs with two actuators

Depressing either actuator button will enter actuator adjustment mode.

If the left button is depressed the associated LED will be illuminated, and deflection of the joystick will adjust the actuator motor connected to that channel.

If the right button is depressed the associated LED will be illuminated, and deflection of the joystick will adjust the actuator motor connected to the other channel.

To re enter drive mode, depress the selected actuator button, as indicated by the associated LED

It is also possible to select the other actuator by left or right movements of the joystick

**R-net Control**

Please refer to your R-net Owner's Manual for details.

Charging and programming socket:

WARNING!

This socket should only be used for programming and charging the wheelchair .

WARNING!

This socket should not be used as a power supply for any other device. Connection of other electrical devices may damage the control system or affect the EMC performance of the wheelchair
See section 11 about charging.

The programming socket will enable an approved Sunrise Medical authorised dealer to re-programme your wheelchair and also gain useful information when tracing any faults. When the wheelchair leaves the factory, the parameters of the controller are set to default.

WARNING!

Programming the controller of the wheelchair is only allowed through authorised personnel trained by Sunrise Medical. Incorrect controller settings could cause driving outside the safe limits and could result in damage or injury.

WARNING!

SUNRISE MEDICAL does not accept responsibility for damages which result from unexpected stopping of the wheelchair or inappropriate programming or unauthorised use of the wheelchair .



R-net Control

Please refer to your R-net Owner's Manual for details.

7.2 VR2-L, (Lights).

There are common controls between the VR2 and the VR2-L control systems where a control differs it will be described below. All common controls can be found on the previous page.

Lights and indicators:

The SALSA can be equipped with lights and indicators. Where lights are not factory fitted, they may be fitted as an optional extra by an approved Sunrise Medical authorised dealer.

WARNING!

Ensure that the lights and indicators are functioning correctly and lenses are clean before going outdoors at night.

Indicators:

To turn on the wheelchairs indicators operate the required button either left or right, the associated LED will also illuminate continuously.

Depress the indicator button to turn off the indicator and the associated LED

CAUTION!

If the LED flashes rapidly either a total short circuit, a single lamp open circuit or a total open circuit in the left or right indicator circuit has been detected

Main lights:

To turn on the wheelchairs lights operate this button, the associated LED will illuminate continuously.

Depress the light button to turn off the lights and the associated LED

CAUTION!

If the LED flashes a short circuit in the lighting circuit has been detected.

Hazard warning lights:

To turn on the wheelchairs hazard warning lights operate this button, the associated LED will flash at the same rate. The left and right turn indicator LEDs will also flash.

Depress the hazard warning button to turn off the lights and the associated LED.

CAUTION!

If the LED flashes rapidly either a total short circuit, a single lamp open circuit or a total open circuit in the entire indicator circuit has been detected

Actuator button and LEDs:

Depending on whether your wheelchair is fitted with one or two actuators the operation of this button will differ.

Wheelchairs with one actuator

Depressing the actuator button will enter actuator adjustment mode. This will be indicated by the illumination of both actuator LED's. Actuator adjustment can then be made by deflecting the joystick forwards or backwards. To re enter drive mode, depress either actuator button

Wheelchairs with two actuators

Depressing the actuator button will enter actuator adjustment mode. Depressing the button once illuminates the left LED, and deflection of the joystick will adjust the actuator motor connected to that channel. If the right button is depressed the associated LED will be illuminated, and deflection of the joystick will adjust the actuator motor connected to the other channel.

To re enter drive mode, depress the selected actuator button, as indicated by the associated LED

It is also possible to select the other actuator by left or right movements of the joystick

**R-net Control**

Please refer to your R-net Owner's Manual for details.

7.3 VR2 Dual control unit**Control button and indicator:**

This shows which joystick has control. If the red wheelchair light is on the wheelchair occupants joystick has control. If the green attendant light is on the dual attendant systems joystick has control. The button is used to transfer control between the two choices

Actuator button and LED:

All VR2 dual attendant systems have an actuator button fitted as standard.

NOTE: If the VR2 is programmed with no actuators then this button has no function.

Wheelchairs with one actuator:

Depressing the actuator button once will enter actuator adjustment mode. This will be indicated by the illumination of both actuator LED's. Actuator adjustment can then be made by deflecting the joystick forwards and backwards. To re enter drive mode, depress either the actuator button or the speed button

Wheelchairs with two actuators:

Depressing the actuator button will enter actuator adjustment mode. Depressing the button once illuminates the left LED and deflection of the joystick forwards or backwards will adjust the actuator connected to that channel. Selection between the two actuators is achieved by deflecting the joystick to the left and right.

As the actuator selected changes so will the LED which illuminates. Left for actuator 1 and right for actuator 2

To re enter drive mode, depress either the actuator button or the speed button

Maximum speed button and indicator:

This shows the maximum speed setting for the wheelchair when the dual attendant system has control. There are five settings - setting 1 is the slowest speed and setting 5 is the highest speed. The speed setting is changed with the speed button.

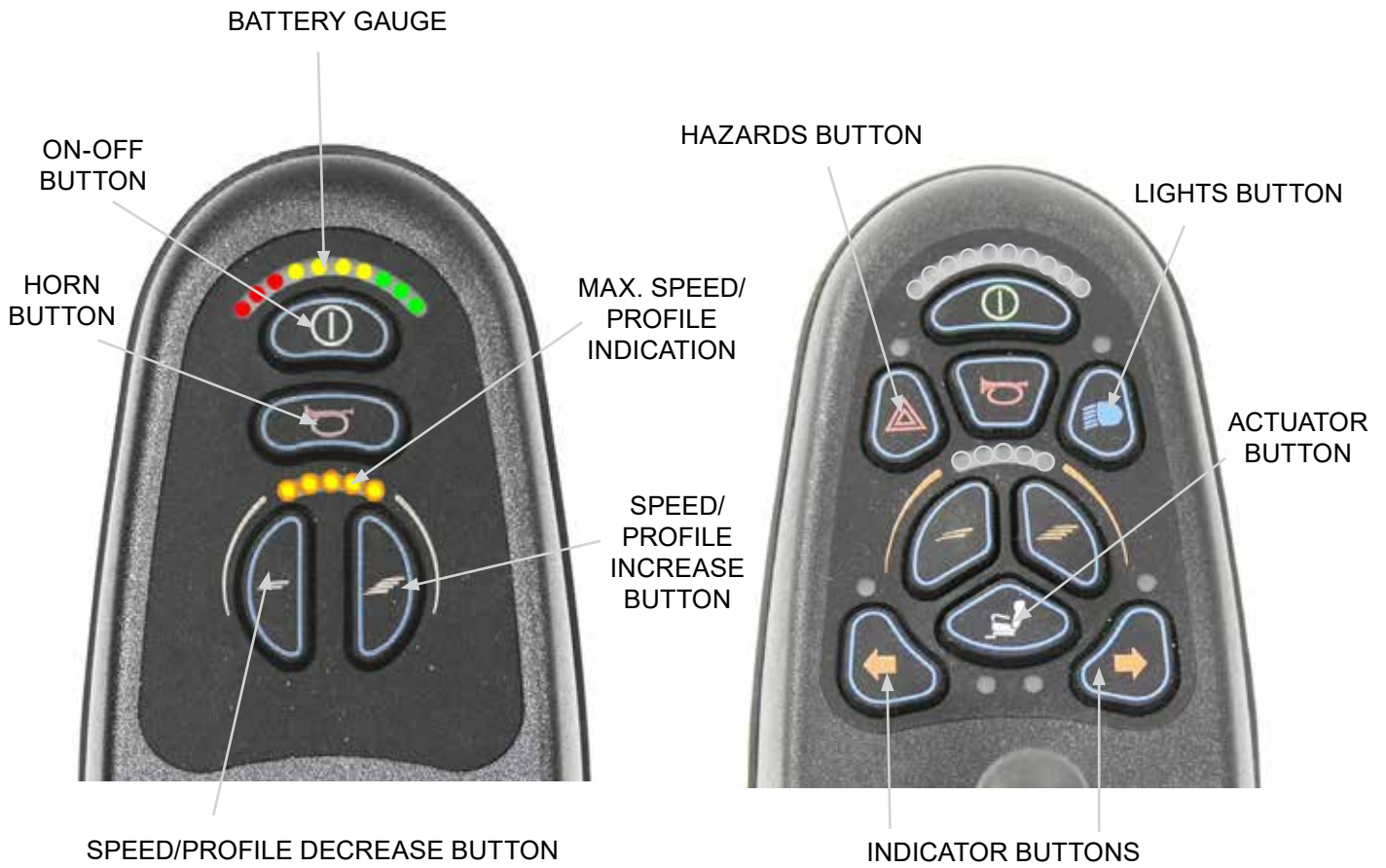
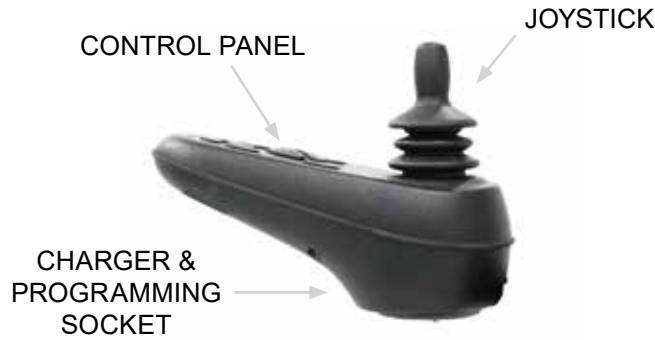
NOTE: If the control system is programmed for drive profile operation, then the dual attendant system speed adjuster will only adjust the speed within the selected profile.

NOTE: Changing between drive profiles can only be achieved using the VR2

**R-net Control**

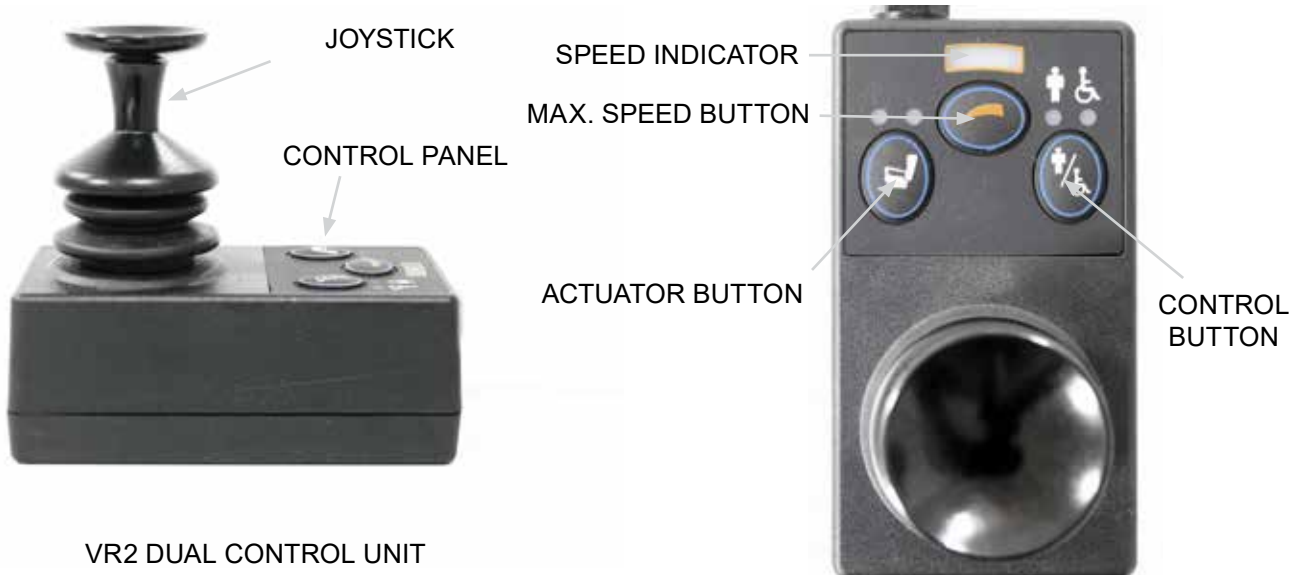
Please refer to your R-net Owner's Manual for details.

Fig.7.1



VR2 CONTROL PANEL LAYOUT

VR2-L CONTROL PANEL LAYOUT



VR2 DUAL CONTROL UNIT

8.0 Troubleshooting using the VR2 Hand Control



WARNING!

Always consult your Sunrise Medical authorised dealer when a diagnostic fault has appeared on your hand control.

The battery gauge and maximum speed/profile indicator show the status of the control system.

Battery Gauge is steady:

This indicates that everything is OK.

Battery Gauge flashes slowly:

The control system is functioning correctly but the batteries need charging as soon as possible.

Battery Gauge steps up:

The wheelchair batteries are being charged. You will not be able to drive the wheelchair until the charger is disconnected and you have switched the control system off and on again.

Battery Gauge flashes rapidly even with the joystick released:

The control system safety circuits have operated and the control system has been prevented from moving the wheelchair .

This indicates a system trip. i.e. the VR2 has detected a problem somewhere in the wheelchairs electrical system.

- Switch off the control system
- Make sure that all connectors on the wheelchair and the control system are mated securely.
- Check the condition of the battery
- If you can't find the problem, try the self help guide given over the page, (Fig.8.1)
- Switch on the control system again and try to drive the wheelchair .



WARNING!

If the safety circuits operate again, switch off and do not try to use the wheelchair .

Contact your Sunrise Medical Authorised Dealer.

Self help guide: (Fig.8.1, overleaf).

If a system trip occurs you can find out what has happened by counting the number of bars on the battery gauge that are flashing.

Go to the number on the list which matches the number of flashing bars and follow the instructions.

Slow or sluggish movement:

If the wheelchair does not travel at full speed or does not respond quickly enough and the battery condition is good, check the maximum speed setting. If adjusting the speed setting does not remedy the problem then there may be a non hazardous fault.

Consult your Sunrise Medical Authorised Dealer.

Speed / Profile Indicator ripples up and down:

This indicates the control system is locked, refer to section 7.1. for details on how to unlock the control system.

Speed / Profile Indicator flashes:

This indicates that the speed of the wheelchair is being limited for safety reasons. The exact cause will depend on the build of the wheelchair but usually indicates that the seat is elevated.

Actuator LED flashes:

This indicates that the actuators may be inhibited in one or both directions.

Consult your Sunrise Medical Authorised Dealer.



R-net Control

Please refer to your R-net Owner's Manual for details.

Fault code		Possible cause	Fig.8.1
		The batteries need charging, or there is a bad connection to the battery. Check the connections to the battery. If the connections are good, try charging the batteries	
		The left hand motor has a bad connection. Check the connections to the left hand motor.	
		The left hand motor has a short circuit to a battery connection. Contact your Sunrise Medical Authorised Dealer	
		The right hand motor has a bad connection. Check the connections to the right hand motor.	
		The right hand motor has a short circuit to a battery connection. Contact your Sunrise Medical Authorised Dealer	
		The wheelchair is being prevented from driving by an external signal. One possibility is that the battery charger is plugged in.	
		A joystick fault is indicated. Make sure that the joystick is in the centre position before switching on the control system	
		A control system fault is indicated. Make sure the control system connections are secure.	
		The parking brakes have a bad connection. Check the parking brake and the motor connections. Make sure that the control system connections are secure	
		An excessive voltage has been applied to the control system. This is usually caused by a poor battery connection. Check the battery connections	
	+ S	S=Speed indicator LED's A communication fault is indicated. Make sure that the joystick cable is securely connected and not damaged	
	+ A	A=Actuator LED's An actuator trip is indicated. If more than one actuator is fitted, check which actuator is not working. Check the actuator wiring.	



R-net Control

Please refer to your R-net Owner's Manual for details.

9.0 Controller Mounts

9.1 General warnings:

⚠️ WARNINGS!

- Do not replace the joystick knob with any unauthorised item. It may cause hazardous operation and loss of control of the wheelchair.
- It is important that the joystick boot is replaced if it is torn or brittle; failure to do so could cause substance damage to the controller and unexpected movement of the wheelchair.
- Ensure that you always have comfortable access to the controls whilst the wheelchair is moving and make sure that the controller is fixed securely to the wheelchair.

9.2 Attendant control:

⚠️ WARNINGS!

- Ensure that you set the speed of the attendant control to a speed that you can comfortably follow.
- Always turn off the power to the controller when leaving the user in the wheelchair. (Fig.9.1).

9.3 Parallel swing-away control:

⚠️ WARNINGS!

- Before adjusting the swing-away arm, switch off the controller to avoid accidental displacement of the joystick which would cause unwanted movement of your wheelchair .
- Keep your fingers and clothing, etc. clear while operating the swing-away mechanism.
- Be aware that the width of your wheelchair has increased if the swing-away arm is out and you may not get between certain obstacles.
- Do not hang any items on or over the parallel swing-away remote assembly as this could damage the swing-away mechanism.
- When transferring to and from the wheelchair do not use the remote as a means of support.
- Ensure the power is switched off while adjusting the parallel swing-away arm.
- Only operate the wheelchair at low manoeuvring speed when the parallel swing-away is in use, (Fig.9.2).



R-net Control

Please refer to your R-net Owner's Manual for details.



9.4 Centre bar mount control (R-net)

WARNING!

- Make sure that the controller is fixed securely to the centre bar.
- Always turn off the power to the controller before moving the controller out of the way.

9.5 Tray mount control (R-net)

WARNING!

- The maximum weight allowed for the tray is 2.5kg.
- Do not overload the tray; this could cause the tray to break or could cause the wheelchair to become unstable.
- Always turn off the power to the controller before moving the tray out of the way.
- Do not leave lit cigarettes or other heat sources on the tray as this could cause the tray to deform and mark.
- Ensure that all extremities and clothing are free when positioning the tray for use.
- Ensure that you always have comfortable access to the controls whilst the wheelchair is moving and make sure that there is nothing on the tray that could interfere with your control of the wheelchair.

9.6 Swing-away tray mounted centre control (R-net)

The swing-away tray mounted centre control enables the hand control to be flipped over, providing a flat surface when the tray is required and back around when the user requires access to the hand control

NOTE: All warnings for the flip up version are the same as the normal version (section 10.4 above) with the following additional warnings:

WARNING!

- Make sure that the controller is turned off before it is flipped over

NOTE: Be aware that when the controller is flipped to the underside of the tray that driving will be inhibited for the user's safety.



Centre bar mount with R-net Control
Please refer to the R-net Owner's Manual for details of R-net hand control functions.

9.7 Forus control (R-net)

WARNINGS!

- Ensure that you set the speed of the forus control to a speed that you can comfortably follow.
- Ensure that you always have comfortable access to the controls whilst the wheelchair is moving and make sure that the controller is fixed securely to the wheelchair.
- It is important that the joystick boot is replaced if it is torn or brittle; failing to do so could cause substance damage to the controller and unexpected movement of the wheelchair.
- Always turn off the power to the controller when leaving the user in the wheelchair.
- Do not replace the joystick knob with any unauthorised item. It may cause hazardous operation and loss of control of the wheelchair.
- Do not hang any items on the handles of the forus control.

The forus attendant control is a mechanical device that translates mechanical attendant movements into joystick movements on a regular remote control. (Fig 10.3)

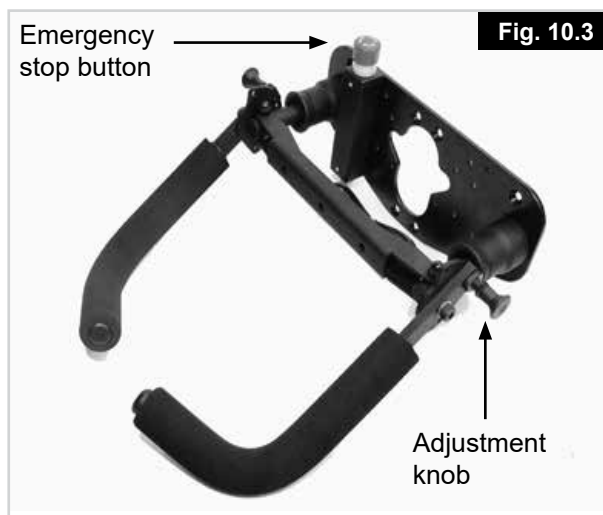
The forus attendant control operates with R-net controls only.



Forus with R-net Control

Please refer to the R-net Owner's Manual for details of R-net hand control functions.

After switching on the hand control, the forus attendant control is ready to use. Pushing the handle downwards drives the wheelchair backwards, pushing the handle upwards drives the wheelchair forwards. A left or right push drives the wheelchair in the respective direction.



The forus push handle mechanism is centred with springs which will always bring it back to its centre position when the attendant's hands are taken off the handles. The push handles can be adjusted in height by releasing the spring loaded pin on the side, adjusting to the right height position and releasing the pin. (Fig 10.3)

9.8 Emergency stop button

The forus attendant control is equipped with an EMERGENCY STOP button (Fig 10.3). When pressed, it brings the wheelchair to a controlled stop.

When the button is pressed, it automatically locks mechanically in that position. To release twist and pull the EMERGENCY STOP button until it locks into the off position. The wheelchair can now be switched on.

NOTE: Always move the wheelchair with care. If the programming of the attendant drive profile(s) needs adjustments to make it more convenient for the attendant and/or the person sitting in the wheelchair please contact your Sunrise Service agent for adaptation.

If the direction of movement of the forus attendant control needs to be altered please contact your authorised Sunrise Medical dealer for adaptation.

9.9 Powered swing away arm (R-net)

This option (Fig 10.4) is used to mount all chin controls or the sip and puff and can be operated by either a buddy button or ribbon switch



WARNING!

Please be aware of your surroundings before operating the swing-away arm. Make sure that you have sufficient room to your side to prevent damage to your control device and to prevent injury to others.



WARNING!

Please be aware that it is possible to accidentally operate your swing-away arm whilst you are driving your wheelchair. Make sure that you are comfortable with the position of your control switch before using your wheelchair

The powered swing away operates with R-net controls only.

Powered Swing-away with R-net Chin Control



Please refer to the R-net Owner's Manual for details of R-net hand control functions



Fig. 10.4

10.0 Speciality Controls

10.1 Proximity head array

WARNINGS

- The sensors used in this product will operate if moisture of any substance that is electrically conductive is present in sufficient quantities.
- Electro magnetic interference from electrical power lines and certain types of phones will cause the sensors to activate.
- These sensors are capacitive in nature and any material that is conductive will activate them. These sensors are electronic sensors and generate an electronic field which can be affected by liquids and radio frequency interference.
- If the user is caught in the rain or some type of liquid is spilled on the sensor pad, the wheelchair has a great potential to act erratically. Try to activate the stop sensor or shut the wheelchair down if possible.
- Avoid use under high power lines and around cell phones which will interfere with the electronic field generated by the sensor.
- A warning must be conveyed to the wheelchair operator that the wheelchair could come to a sudden stop or act in an erratic manner due to liquids or radio frequency interference (RFI).
- Most electronic equipment is influenced by (RFI). Caution should be exercised with regard to the use of portable communication equipment in the area around where the sensors are located in the head array. If RFI causes erratic behaviour, shut the wheelchair off immediately. Leave off while transmission is in progress.

10.2 Driving with the head array (Fig 10.1)

The head array uses 3 zero touch sensors for driving, one in each head pad.

The sensor in the centre of the headpiece controls forward and reverse.

Sensors in the right and left headpieces are for right and left directional motion respectively.

The fourth switch is the mode switch and it toggles the head array between forward and reverse and between driving the wheelchair and operating any ancillary devices (such as powered seating or augmentative communications systems).

Switching modes

A variety of mode switches are available. These can be divided into three types: internal, hardware mounted and external.

- Internal: mode in left pad or right pad
- Hardware mounted: beam switch
- External: fibre optic, button or mode jack 2. All mode switches perform the same tasks.
- Single click of the mode switch will toggle between forward and reverse.
- A double click of the mode switch will change the operating mode of the system. e.g. standby to drive to actuator etc.

For further details refer to the user manual supplied with your module or contact your Sunrise Medical authorised dealer.

10.3 Proportional head control

Operation of the head control (Fig 10.2)

1. The drive is based on displacement of the headrest. A small amount of pressure must be exerted on the headrest to generate results.
2. Neutral position is when the headrest is not displaced.
3. When the headrest moves right or left, the wheelchair will move in the respective direction.
4. For forward or reverse the headrest needs to be displaced in a backwards direction. Use of the mode switch selects the direction of movement. This will be displayed on the enhanced display module.
5. The greater the displacement of the headrest from the neutral position the faster the wheelchair will go.

For further details refer to the user manual supplied with your module or contact your Sunrise Medical authorised dealer.



Head Controls

Please refer to the R-net Owner's Manual for details of R-net hand control functions

Fig. 10.1



Fig. 10.2



10.4 Sip and puff control and buddy buttons

WARNINGS

- Do not wrap the cable around the switch, wrap the cable separately
- Do not pull on the cable of the switch
- Do not overload your switch connection, adhere to maximum current ratings
- Do not immerse the switch in water
- Do not open or attempt to fix switch
- Do not use solvents to clean your switch, use only a damp cloth or alcohol. The pneumatic tube of the sip and puff can be sterilised in a gas autoclave
- Do not expose switch to extreme heat or cold



For further details refer to the user manual supplied with your module or contact your Sunrise Medical authorised dealer



Fig. 10.3 Sip and puff (Fig 10.3).



Fig. 10.4 Buddy buttons (Fig 10.4)

10.5 Switch-It mini joystick as a chin control or hand control

The Switch-It mini joystick (Fig .10.5-10.6) is a small joystick which can be handled with little strength (<10 gr.) and little movement.

The Switch-It mini joystick can be adjusted to the needs of the user via extra handles. In combination with mounting kit it's possible to manipulate the mini joystick by finger, hand, tongue, chin, etc.

The joystick is completely protected against moisture, which makes it suitable to use outdoors and when the joystick isn't used for long periods a hood can be placed over it.



Fig. 10.5



Fig. 10.6

10.6 Proportional chin control (Fig.10.7)

The proportional chin control must be used in conjunction with the Omni Plus module. This is to give visual feedback for the selection of drive profiles and seating options.

WARNING!

- Do not replace the joystick knob with any unauthorised item. It may cause hazardous operation and loss of control of the wheelchair.
- It is important that the joystick boot is replaced if it is torn or brittle; failing to do so could cause substance damage to the controller and unexpected movement of the wheelchair.
- Ensure that you always have comfortable access to the controls whilst the wheelchair is moving and make sure that the controller is fixed securely to the wheelchair.



Fig. 10.7

10.7 Micro pilot Joystick

The Micro Pilot joystick is a miniature joystick based on a different technology than other mini "throw" based joysticks. As little as 10 grams of force with virtually no joystick deflection will activate the wheelchair. All internal metal construction means outstanding durability, (Fig 10.8).



Fig. 10.8



R-net, Omni Plus control

Please refer to the R-net Owner's Manual for details of R-net, Omni Plus control functions

11.0 Batteries and charging



- Please read the owner's manual supplied with the charger carefully.
- Do not expose any part of the battery to direct heat (i.e. naked flame, gas fire).
- When charging always place your charger on a hard surface in a room with good ventilation.
- You should not charge your batteries in outdoor conditions.

11.1 Batteries, (Fig. 11.1 - 11.4)

The batteries are contained within the drive unit located beneath the seat, under the battery shroud.

To remove the batteries:

- Release the two handle screws under the front of the seat frame that connect the seat frame with the seat module interface, (A-Fig.11.1).
- Flip the seat frame backwards and secure it with the safety bar, (B-Fig.11.2).
- Lift off the battery lid, (Fig.11.3).
- Disconnect the 2 pin Anderson connectors from each battery, (C-Fig.11.3).
- There are straps available on each battery where they can be lifted out with the front battery being removed first, (D-Fig.11.4).
- To fit the batteries please reverse the above process.



- The Salsa M2 Mini is fitted with two flexible straps that retain both of the handle screws, (A-Fig.11.5). These are fitted as a safety feature and should not be removed from the wheelchair .
- If the flexible straps are missing, or either of the handle screws are not in place, please stop using the wheelchair immediately and seek assistance to check that the handle screws and straps are fitted correctly, (A-Fig.11.5).
- Ensure both handle screws and straps are in place and secure.

Fig.11.1

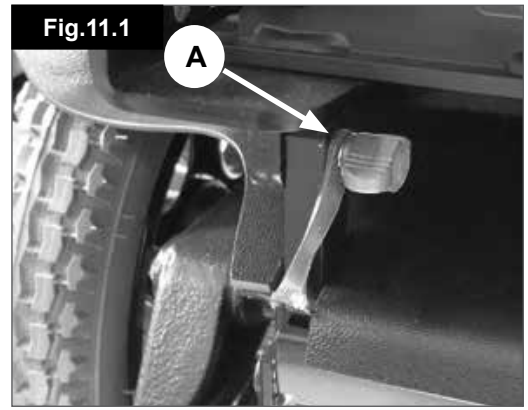


Fig.11.2

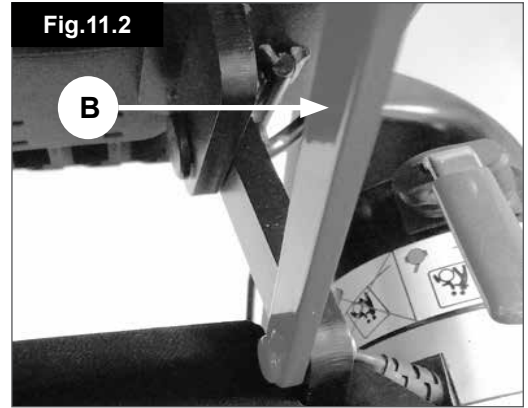


Fig.11.3



Fig.11.4

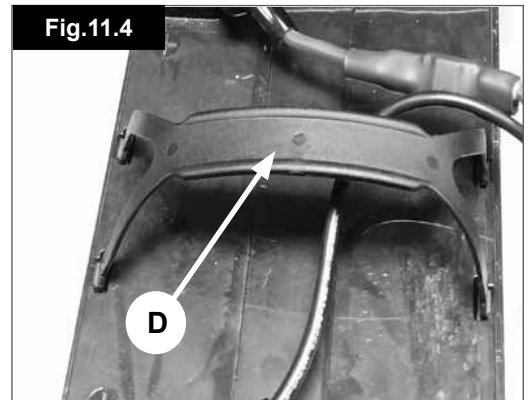
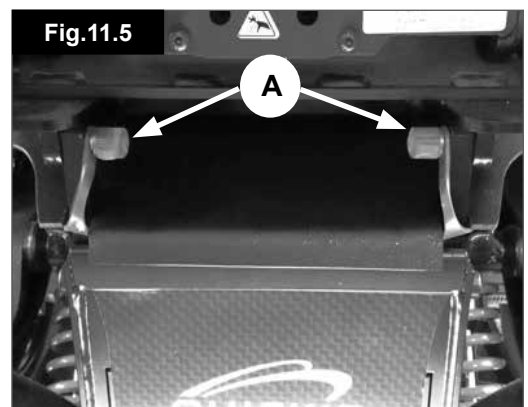


Fig.11.5



11.2 Safety cut-outs

In the event of a short circuit there are several safety systems built into your wheelchair to safeguard your electrical circuits.

- Fusible 100A links are connected into the battery harnesses to protect the batteries and wiring.
- A 15A fusible link for auxiliary power, (when fitted).

To replace them contact your Sunrise Medical authorised dealer, who will also diagnose the fault.



R-net Control

Please refer to your R-net Owner's Manual for details.

11.3 General battery information

Batteries are the power source for almost all of the modern mobility products available today. The design of batteries used in mobility products is significantly different to the batteries used to start a car for example. Car batteries are designed to release a large amount of power over a short period of time, whilst mobility batteries (commonly called deep cycle batteries) release their power evenly, over a long period of time. Therefore, due to the lower production volumes and increased technological requirements, mobility batteries are typically more expensive.

Commonly two 12 volt batteries are used together in a mobility product, giving a total voltage of 24 volts. The size of the battery (e.g. its available power) is expressed in amps per hour e.g. 80 amp/hr. The higher the number, the bigger the battery size, weight and, potentially, the greater the distance you can travel. Sunrise Medical only fit as standard maintenance free batteries into these types of wheelchairs.

11.4 Maintenance free batteries

As the name implies, no maintenance is required other than regular charging. You can safely transport this type of battery without fear of acid spilling. Furthermore, they are approved for transportation on trains and ships.

11.5 Battery care

Below is set out a battery care plan for maintenance free batteries. This has been agreed between Sunrise Medical and the battery manufacturers, to enable you to get the best out of your batteries. If a different care plan is followed, this may result in lower than expected performance from your mobility vehicle.

11.6 Maintenance free battery care plan



WARNING!

Only use an approved Sunrise Medical charger compatible with the vehicle to be charged.

- Charge your batteries every night, regardless of the amount of use your mobility device has had during the day.
- Do not interrupt the charging cycle.
- If your mobility device is not required for use, it should remain connected to the charger until required. This will not damage your batteries, as long as the mains socket/plug is left switched on. Turning the mains socket/plug off, but leaving the mains cable plugged in will eventually deplete your battery charge.
- If you intend to leave your vehicle for an extended period (more than 15 days) charge the batteries fully and then disconnect the main battery lead.



CAUTION!

- Failure to allow for recharge will damage the batteries and can lead to shortened distances and premature failure.
- Do not top up the charge of your batteries during the day. Wait until the evening for a full overnight charge.

As a general rule, maintenance free batteries take longer to fully charge than lead acid batteries.

The battery terminals need to be checked regularly for signs of corrosion. If any corrosion is apparent, then clean the terminals completely (a wire brush is ideal) and re-grease the terminal using Vaseline petroleum jelly, not ordinary grease. Ensure that the terminal nut and bolt, cable clip and exposed cable are completely covered with jelly.

Following all the points above should result in a healthier battery, greater range for the vehicle user and a longer life for your batteries.

Return the batteries back to Sunrise Medical or directly to the battery manufacturer for recycling, when they no longer hold charge.

11.7 General charger information

The external charger has been designed to charge two 12V sealed maintenance free batteries connected in series (= 24 V).

11.8 Charger safety features

The chargers have features which prevent hazards or accidents occurring as a result of connecting batteries the wrong way round, overheating caused by fault conditions or attempting to charge wrong voltage batteries.

The majority of charger sizes are electrically double insulated and no earth connection is required. Some larger sizes may be electrically earthed and this will be clearly stated on the label.

The 3 pin UK mains input plug contains a replaceable fuse. The rating of this fuse is shown on the charger label.

WARNING!

Always replace with the same type and size of fuse as specified. Fitting of different fuses can result in damage to the charger or failure of the charger to operate properly.

If your charger has been specified for use in Continental Europe it will contain a European two pin plug.

11.9 Connecting the charger and charging

The wheelchair can be charged via the charger socket at the front of the VR2 remote control. (Fig.11.6).

Connect the charger to the mains supply by means of the mains plug and switch on.

CAUTION!

Do not leave the charger connected to the battery with the mains disconnected or switched off. This could result in damage to your battery being caused by deep discharge over a period of time.

WARNING!

Always switch the battery charger off at the mains before connecting or disconnecting it to the wheelchair .

Fig.11.6



11.10 Charger safety and caution notes

WARNING!

- The charger is designed for indoor use. Do not use outdoors or expose to rain, snow, spray or moisture.
- When buying replacement batteries or charger always consult your Sunrise Medical service agent.

11.11 The range of your vehicle

Most manufacturers of mobility products state the range of their vehicles either in the sales literature or within the Owner's Manual. The range stated sometimes differs from manufacturer to manufacturer even though the battery size is the same. Sunrise Medical measure the range of their vehicles in a consistent and uniform manner, but variances still occur due to motor efficiencies and overall product load weight.

The range figures are calculated to I.S.O. Standard 7176. Part 4: Wheelchair Energy Consumption Theoretical Range

This test is carried out in controlled conditions with new, fully charged batteries, on a level test surface and a user weight of 100 kg. The range figures stated should be seen as a theoretical maximum and could be reduced if any single, or combination, of the following circumstances occur:

- User weight heavier than 100 kg.
- Batteries whose age and condition are less than perfect.
- The terrain is difficult e.g. very hilly, sloping, muddy ground, gravel, grass, snow and ice.
- The vehicle climbs kerbs regularly.
- The ambient temperature is very hot or very cold.
- Incorrect tyre pressures in one or more tyres.
- Lots of start/stop driving.
- Also thick pile carpets within the home can affect range.
- Use of additional power consumption options (e.g. light, actuators, etc.)

The battery sizes available on each Sunrise Medical product should give sufficient range to cope with the majority of customer's lifestyles.

11.12 Common battery statements

Over the years, battery technology has moved forward but, unfortunately, some of the advice given on battery care has not. This has resulted in a number of confused and at times contradictory instructions on the 'best' way to care for your batteries.

This section will help to dispel some of these myths and legends.

WARNINGS!

- To reduce the risk of damage to electric plug and cord, pull by the plug rather than the cord when disconnecting the charger.
- Make sure the cord is located so that it will not be stepped on, tripped over or otherwise subjected to damage or stress.

WARNINGS!

- An extension cord should not be used unless absolutely necessary.
- Use of an improper extension cord could result in a risk of fire and electric shock.
- If any extension cord must be used, make sure the pins on the plug of the extension cord are the same number, size and shape as those of the plug on the charger; and that the extension cord is properly wired and in good electrical condition.
- Do not rest a battery on top of the charger.
- Do not stand the charger on a carpet or other soft surface. Always place it on a hard flat surface.
- Do not operate the charger if it has received a sharp blow, been dropped or otherwise damaged in any way. Take it to a qualified technician.
- Do not disassemble charger; only have it repaired by the manufacturers. Incorrect re-assembly may result in a risk of electric shock or fire.
- To reduce the risk of an electric shock, unplug the charger from the outlet before attempting any maintenance or cleaning. Turning off the controls will not reduce the risk.
- Never place the charger directly above the battery being charged; gases from the battery will corrode and damage the charger.
- Never smoke or allow a spark or flame in the vicinity of battery or charger.
- Be extra cautious to reduce the risk of dropping a metal tool onto the battery. It could spark or short circuit the battery or other electrical parts that may cause an explosion. Also take off all personal metal effects and dangling objects when working on the battery.
- Never charge a frozen battery. A fully charged battery will rarely freeze but the electrolyte of a discharged battery can freeze at -9° Centigrade. Any battery that is suspected of being frozen should be thawed completely before charging.
- Never sit with the charger on your lap when charging your batteries.
- The charger casing will get hot during its normal operation.

11.13 Battery warranty

Battery warranties are subject to periods set by the manufacturers. However, most of these warranties are subject to a wear and tear clause, and if you genuinely wear out your batteries in 6 months, it will not be possible to obtain a replacement under warranty.

12.0 Transportation

A wheelchair secured in a vehicle will not provide the equivalent level of safety and security of a vehicle seating system. Sunrise Medical recommends that the user transfers to the vehicle seating and uses the vehicle-installed restraint system wherever possible. Sunrise Medical recognises that it is not always practical for the user to be transferred and in these circumstances, where the user must be transported whilst in the wheelchair, the following advice must be followed:

12.1 Transportation warnings:

⚠️ WARNINGS!

- The occupied wheelchair must be located in a forward facing position and secured by the wheelchair tie down and occupant restraint straps (WTORS), meeting the requirements of ISO 10542 or equivalent in accordance with the WTORS manufacturer's instructions. Refer to the section 'Tie Down Instructions' for further information on transporting your wheelchair.
- The wheelchair's use in other positions within a vehicle has not been tested e.g. transportation in a side facing position must not be carried out under any circumstances, (Fig 12.1).
- Wherever possible remove and stow safely away from the wheelchair, all auxiliary equipment, for example, Kerb climbers, Tray tables, Crutches & Loose cushions.

⚠️ DANGER!

- The safety of the user during transportation depends upon the diligence of the person securing the tie down restraints and they should have received appropriate instructions and/or training in their use.
- Wherever possible remove and stow safely away from the wheelchair all auxiliary equipment, e.g. : crutches, loose cushions, tray tables, etc.
 - i. Removed and secured separately in the vehicle, or
 - ii. Secured to the wheelchair, but with energy-absorbing padding placed between the table and the user.

- Articulating/elevating leg rest should not be used in the elevated position when the wheelchair and user are being transported.
- If applicable: Reclining backrests should be returned to an upright position.
- If applicable: Seat elevators should be in the lowest position.
- If applicable: The manual brakes must be firmly applied.

⚠️ WARNINGS!

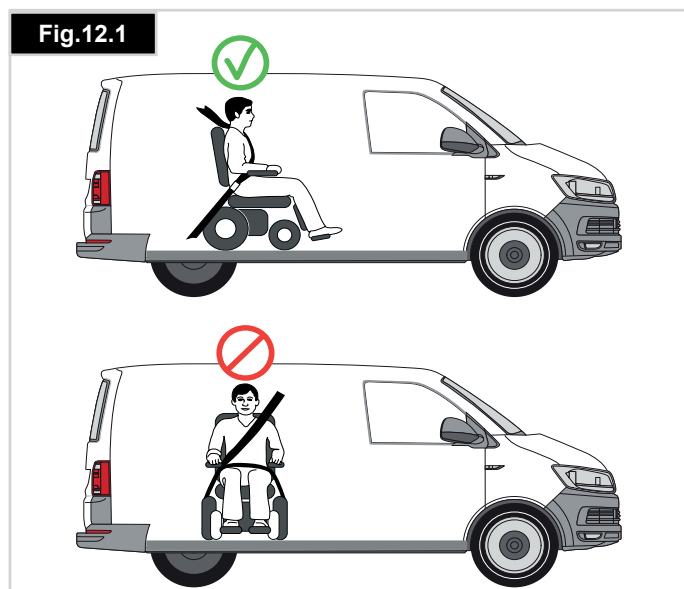
- Alterations or substitutions must not be made to the wheelchair securement points or to structural and frame or components without consulting the manufacturer. Failure to do so will invalidate the ability of the wheelchair to be transported within a vehicle.
- The wheelchair should be inspected by a Sunrise Medical authorised dealer before re-use following involvement in any type of vehicle impact.

⚠️ WARNING!

Both pelvic and upper torso restraint belts must be used to restrain the occupant to reduce the possibility of head and chest impacts with the vehicle components, (Fig 12.2).

⚠️ WARNINGS!

- This wheelchair has been successfully crash tested. Sunrise Medical recommends that you use a suitably positioned headrest when being transported in the wheelchair. However it is highly recommended that as a preference you transfer from your wheelchair to a seat within the motor vehicle.
- Postural supports (lap straps, lap belts) should not be used or relied on for occupant restraint in a moving vehicle unless they are labelled as meeting the requirements specified in ISO 7176-19.
- Spill proof sealed batteries such as "gelled electrolyte" or "AGM" must be installed on powered wheelchairs when used in a motor vehicle.



⚠️ WARNINGS!

When the user being transported is a child, less than 22Kg mass and the vehicle involved has less than eight (8) seated passengers it is recommended that they be transferred to an UNCE Regulation 44 compliant child restraint system (CRS).

This type of restraint system provides a more effective occupant restraint system than the conventional 3 point occupant restraint system and some CRS systems also include additional postural supports to assist in maintaining the position of the child when seated. Parents or care providers may consider the option, in some circumstances, for their child is to remain in their wheelchair whilst in transport due to the level of posture control and comfort provided by the set up in the wheelchair.

We would recommend in such circumstances that a risk assessment be carried out by your healthcare professional and relevant competent persons.

12.2 Occupant restraint instructions

⚠️ WARNINGS!

- The pelvic restraint belt must be worn low across the front of the pelvis (Fig 12.2) so that the angle of the pelvic belt is within the preferred zone of 30° to 75° to the horizontal, (Fig 12.3).
- A steeper (greater) angle within the preferred zone is desirable i.e. closer to, but never exceeding 75°.
- Restraint belts must not be held away from the body by wheelchair components or parts such as the armrests or wheels.
- The upper torso restraint belt must fit over the shoulder and across the chest as illustrated.
- Restraint belts must be adjusted as tightly as possible consistent with user comfort.
- Restraint belt webbing must not be twisted when in use.

⚠️ WARNINGS!

- Restraints should not be held away from body by wheelchair components such as armrests or wheels.
- Headrest should be positioned to support the back of the head fully and not rest in the nape of the neck.
- Pelvic restraints should make full contact across the front of the body near the junction of the thigh and pelvis

Fig.12.3

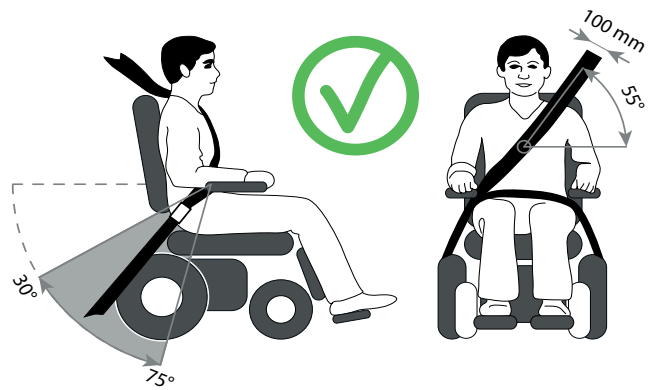


Fig.12.4

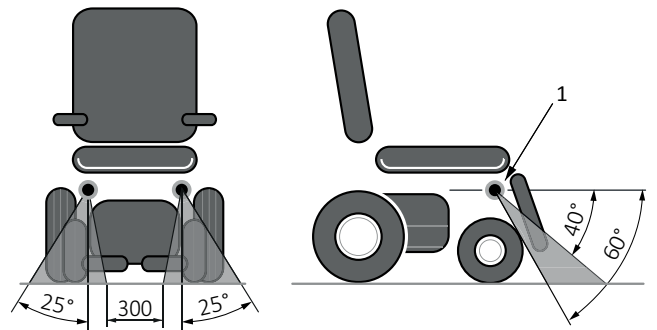
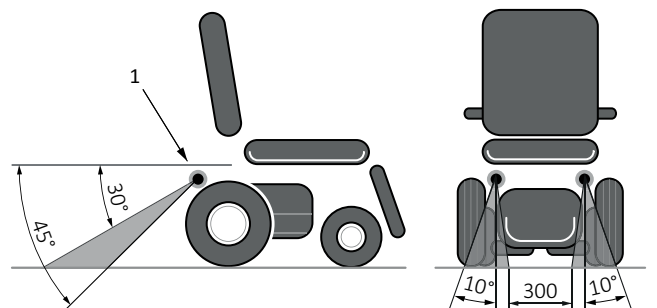


Fig.12.5



12.3 Crash testing on the SALSA, all models.

A representative Salsa M2 Mini wheelchair has been tested in accordance with the dynamic performance requirements specified in ISO 7176-19: "Wheeled Mobility Devices for use in Motor Vehicles" using an Unwins four-point strap restraint system that conform to ISO 10542 or equivalent and was used in accordance with the WTORS manufacturer's instructions.

The Unwins restraint system was used for these tests. However other restraint systems can be used as long as they conform to ISO 10542 or equivalent and are used in accordance with the WTORS manufacturer's instructions. They must also be checked to make sure that they are sufficiently specified for the weight of the wheelchair and rider

WARNINGS!

- All restraint systems must conform to ISO 10542 or equivalent.
- All restraint systems must be used in accordance with the WTORS manufacturer's instructions.
- All restraint systems must be checked to make sure that they are sufficiently specified for the weight of the wheelchair and rider

12.4 The tie down label and placement

The label shown in Fig 12.6 is used to identify the tie down points on all wheelchair models.

Fig. 12.7 - 12.8 show the tie down label placements on the Salsa M2 Mini. Fig.12.9 - 12.10 shows the tie down straps front and aft.

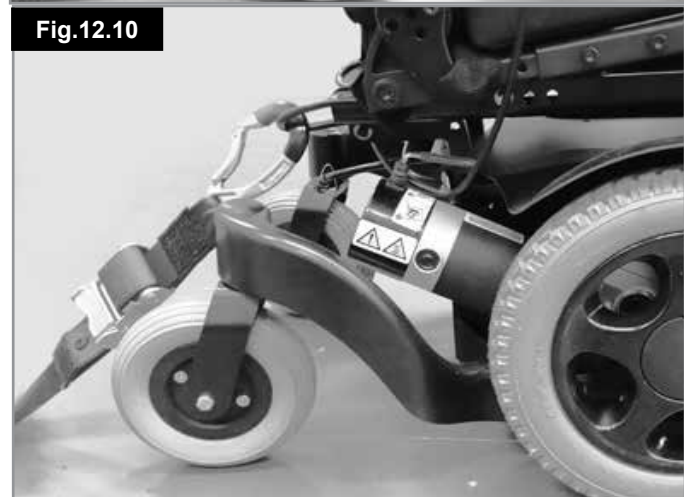
Fig.12.6



Fig.12.8



Fig.12.10



12.5 Securing the wheelchair into the vehicle

(Fig. 12.9 - 12.10 on previous page)

WARNING!

All SALSA wheelchairs require a multi-point tie down system for transportation.

To secure the wheelchair into a vehicle consult the instructions supplied with the restraint system. If no instructions are available Sunrise Medical recommends the following procedure:

Front Tie-down: (Fig.12.9)

- Attach the front tie-down straps to the front tie-down loops on the wheelchair .
- This may be a two-point or a four-point system, depending upon the type of restraint system and the total mass of wheelchair , (see warnings page 59),
- Secure the tie-down straps to the vehicle floor and tighten.
- The straps should form an angle as close to 45° as possible between the vehicle floor and the wheelchair .

Rear Tie-down: (Fig.12.10)

- Attach the rear tie-down straps to rear tie-down loops on wheelchair .
- Secure the tie-down straps to the vehicle floor and tighten.
- The straps should form an angle as close to 45° as possible between vehicle floor and wheelchair .
- Attach the front tie-down straps to the front tie-down loops on the wheelchair .
- Secure the tie-down straps to the vehicle floor and tighten.
- The straps should form an angle as close to 45° as possible between the vehicle floor and the wheelchair .

WARNINGS!

- All seating must be returned to its home position with the seat tilt fully level and the backrest fully upright.
- Always make sure that the wheelchair is not left in freewheel.

12.6 Neptune2 Special Instructions

The Section 12.3 also applies to the Salsa M2 Mini with Neptune2 seating system. However the tie-down locations are unique to this combination as shown below (Fig. 12.11).



12.7 Hoisting the wheelchair:

(Fig.12.12)

The Salsa M2 Mini can be hoisted, unoccupied, by means of four suitably rated lifting straps. Connect the straps to the wheelchair using the four tie-down brackets.

Refer to section 12.4 for details of the tie-down points.



CAUTION!

- Before you travel, please contact the appropriate carrier.
- The travel operator will be able to supply details of any special requirements/instructions.

12.8 Using the Dahl Docking System

CAUTION!

The installation should be performed or supervised by a technician. Read all instructions carefully before proceeding with the installation.

To install Docking Plate use Dahl Adaption Kit #501798

1. Cut the 5 mm spacer boards shown using Stanley knife and steel rule. (Fig. 12.13).
2. Fit the 8 mm spacer onto the lock plate (Fig. 12.14).
3. Use more spacers to achieve desired thickness with regards to, for instance, user weight and tire pressure.

Additional spacers can be mounted under the locking station (Fig. 12.15). To align the height of the lock plate under wheelchair with the docking station fit spacers between the docking station and the vehicle floor to raise the docking station.

4. Put the five screws through the lock plate, the mandatory 8 mm spacer and the selected optional spacers (gray in picture) (Fig. 12.16).

WARNING!

Do not use any other screws than those supplied from Dahl engineering (Part #502800 which is Quality 14.9 with Torx Key Size 27). Standard screws will not be strong enough in the event of a collision. Only use screws provided in the Dahl Kit.

Fig.12.13

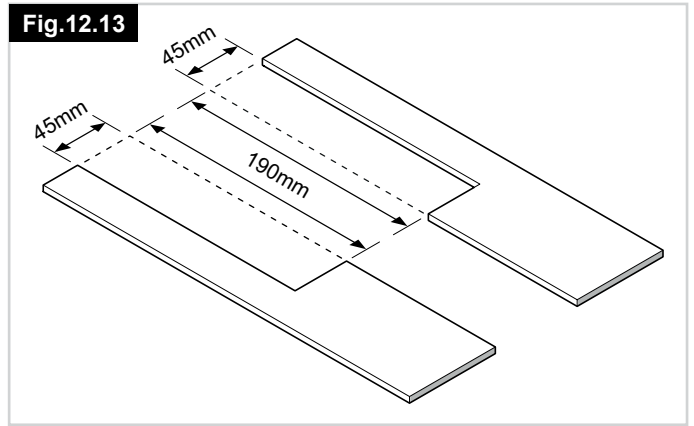


Fig.12.14

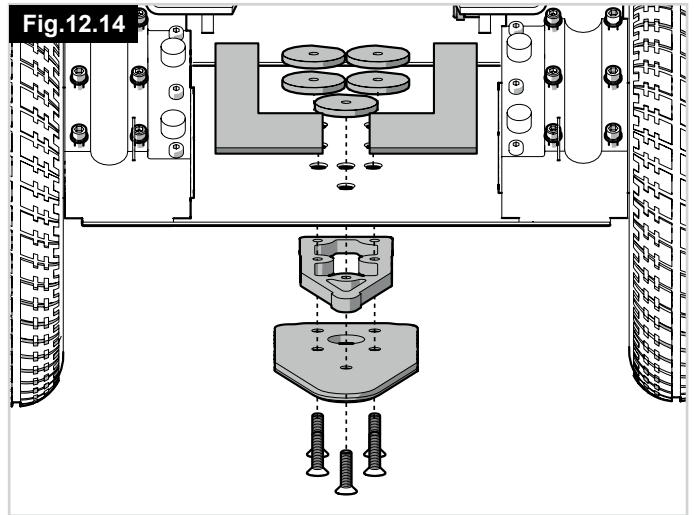


Fig.12.15

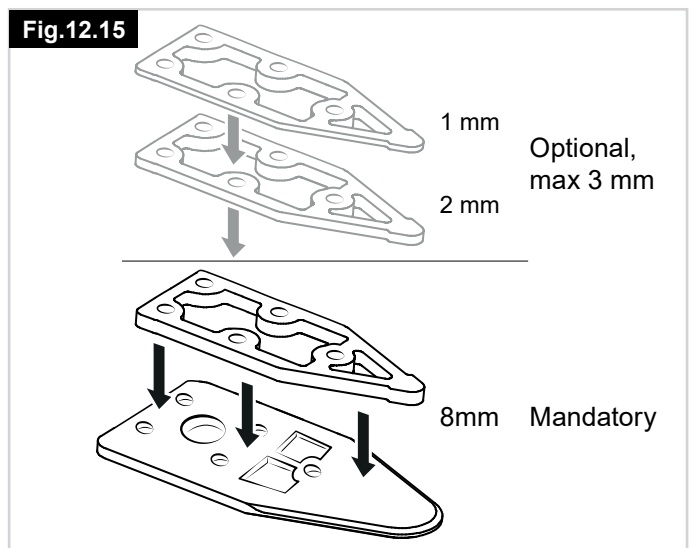
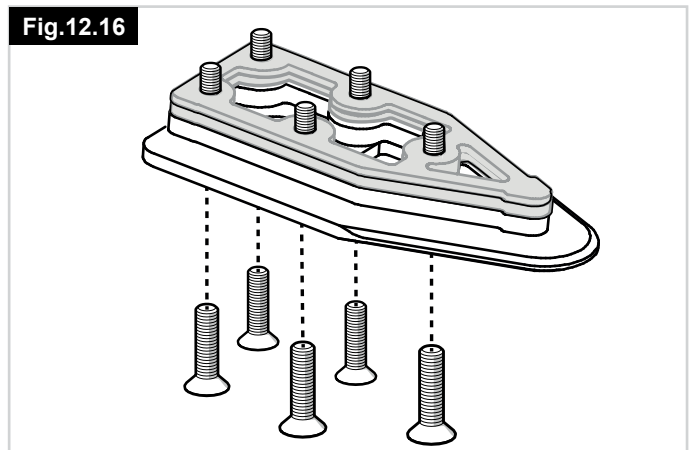
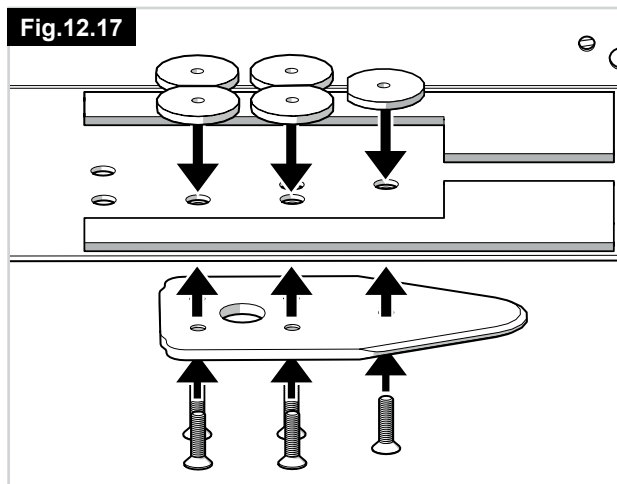


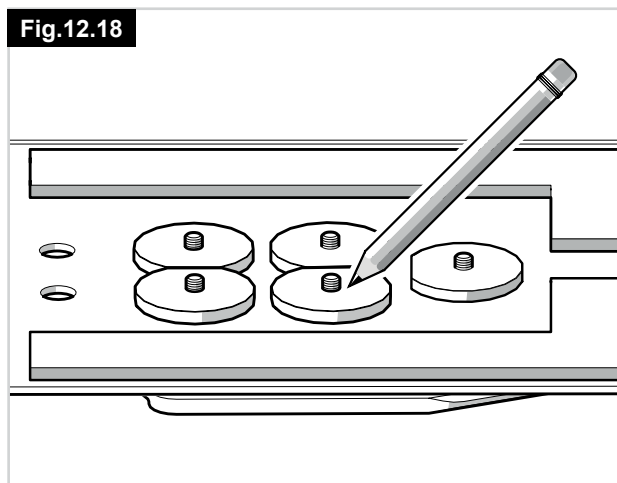
Fig.12.16



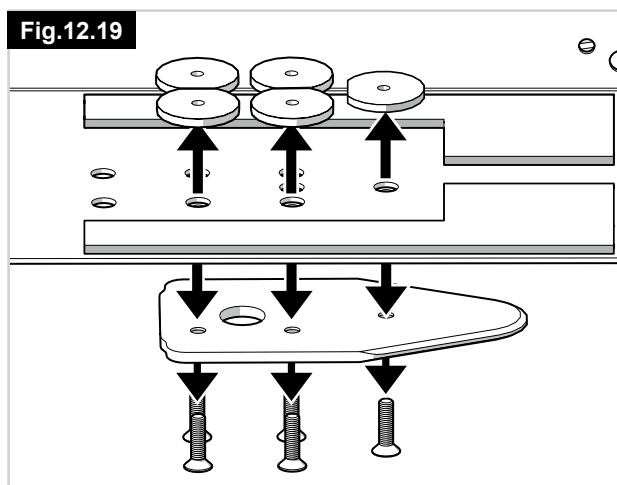
5. Mount the five screws together with the spacer/ spacers and the lock plate on the underside of the chassis box (Fig. 12.17).



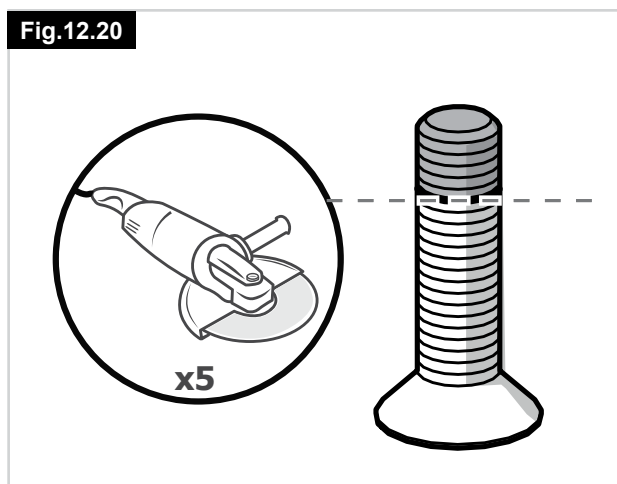
6. Mark where to cut the screws. (Fig. 12.18).



7. Remove the screws together with the spacer/spacers (Fig. 12.19).

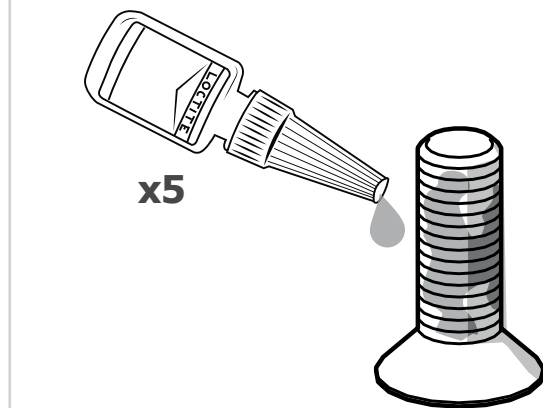


8. Cut the screw where the mark is (Fig. 12.20).
It is very important that the fitter checks that the length of the bolts are correct. If bolts are too short to reach through all the threads - they will not have the strength to carry the loads required. If bolts are too long the batteries or other wheel chair components can be damaged. If necessary replace with longer bolts, or shorten them.



- Apply Loctite 222 (or an equivalent product) onto the screw (Fig. 12.21).

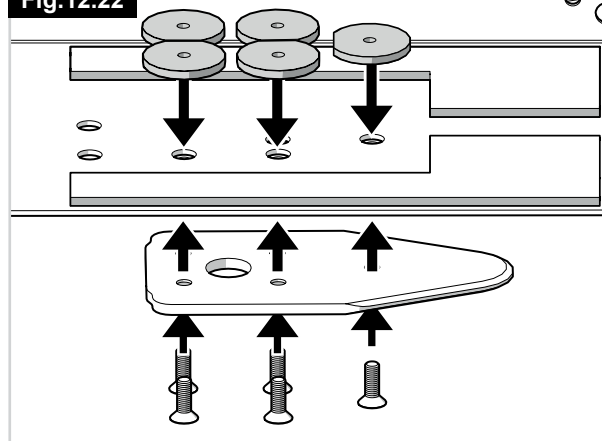
Fig.12.21



- Attach the five screws together with the plastic spacer/spacers (to prevent the batteries from coming into contact with the nuts) and the lock plate on the underside of the chassis box. Tightening torque: 16-18 Nm/13.3 lb.ft (Fig. 12.22).

Please refer to Section 11.1 of this manual for reverse the procedure to replace batteries.

Fig.12.22

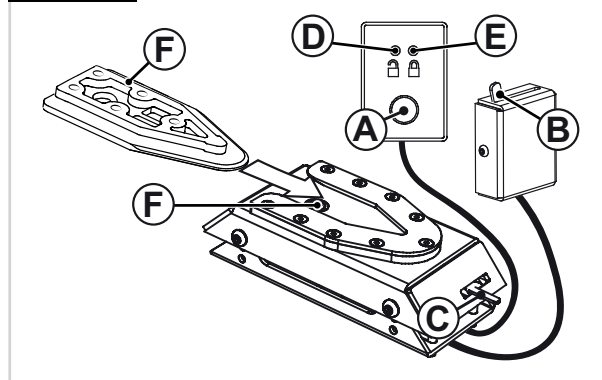


- Perform final check by connecting the wheelchair to the docking station. Check that it is securely locked and make sure that all release methods work as intended (Fig. 12.23).

A warning tone will sound if the lock plate is not properly engaged.

- (A) Release button.
- (B) Manual operating lever.
- (C) Emergency release.
- (D) Red LED.
- (E) Green LED.
- (F) Lock Plate.
- (G) Lock Pin.

Fig.12.23

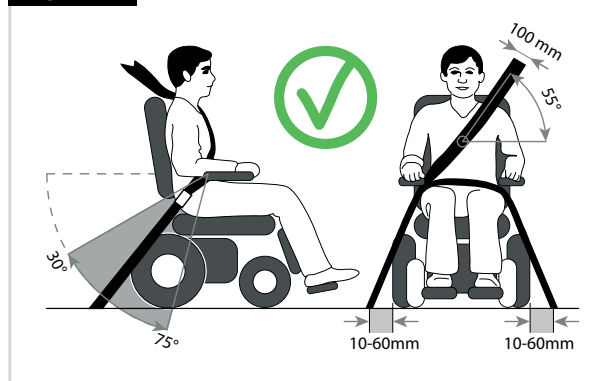


NOTE:

For use with Dahl Docking system only (Fig. 12.24)

When using wheelchair with Dahl Docking system, the floor anchorage points for occupant restraint should be located 10-60 mm outside wheels, on each side.

Fig.12.24



Securing the wheelchair in the docking station:

Make sure that the leg rests are not colliding with the ramp or the docking station when entering the vehicle.

1. Maneuver the wheelchair slowly and in a uniform direction over the docking station. The lock plate under the wheelchair helps to guide the wheelchair into place in the docking station. When the lock plate is fully engaged in the docking station, a spring-action locking pin automatically secures the lock plate.
2. The docking station is equipped with a control switch that indicates whether the lock plate is correctly secured in the docking station. As soon as the lock plate comes into contact with the locking pin, a warning tone will sound (a high-pitched howl), and the red diode/lamp (LED) in the control panel will light up until the lock plate is either fully engaged or else the wheelchair is removed from the docking station.
3. As an indication that the wheelchair is properly secured, the warning tone will cease, the red diode in the control panel will go out and the green diode lamp (LED) will light up.
4. Do not forget to buckle up for driving.

Release from the docking station

1. When the vehicle has been brought to a halt, remove the safety belt.
2. To unlock commence by driving the wheelchair forward to release pressure on the lock pin and then press the red release button in the control panel. The locking pin will be triggered/released for approx. 5 seconds, after which the locking pin is automatically locked/activated again. Do not attempt to reverse out of the docking station until the red LED on the control module, which indicates the unlock position, has been illuminated.

 **WARNING!**

Attempting to reverse the wheelchair before the red LED has been illuminated will result in blocking the docking stations lock mechanism, which makes it impossible to reverse. If this happens repeat above unlocking procedure.

3. Move the wheelchair away from the docking station within this 5-second period.

Manual release in case of electrical failure

1. In the event of electrical failure, a manual emergency release is located at the front edge of the docking station. Move wheelchair forward to release pressure on the lock pin and push the red release arm to one side and hold it there while the wheelchair reverses out of the docking station.
2. A cable-activated manual operating lever can also be fitted (accessory). The red release arm must pushed to one side and should be held there whilst the wheelchair moves away.
3. If the described manual release procedures fails, an emergency release tool made from red plastic comes with each docking station.

Move wheelchair forward to release pressure on the lock pin and place the emergency release tool in the gap between the locking plate and the docking station. Push the release tool forward until the locking pin will has been forced down - after which the wheelchair can be reversed out of the docking station.

Please also refer to Dahl Engineering instructions for Installation, Use and Maintenance**12.9 Wheelchairs and train travel within the EU:**

If you wish to use your wheelchair on the train, we recommend that you contact the train operator in advance when planning your journey.

Railway carriages have provision for a "wheelchair " space where you can sit on your wheelchair during the journey.

Please note that the overall length of your wheelchair may be greater than the available length of the "wheelchair " space in the railway carriage.

We recommend you check with the following points with the train operator:

- There is suitable boarding access available to allow you to access the railway carriage.
- There is suitable access to the intended "wheelchair " space.
- On joining and leaving the train and there is suitable access onto the platform.
- The boarding access is suitable for the combined mass of your wheelchair and the occupant.
- The slope of the access is not greater than the maximum safe slope of the wheelchair .
- Any steps or risers are no greater than the maximum height of the wheelchair obstacle climbing height.
- There is adequate turning space within the access area to the train and on the train itself.

Most train operators will provide assistance provided that arrangements have been made in advance. We suggest you have the Owner's Manual ready when planning your journey and when contacting them.

12.10 Other Transport requirements:

The wheelchair may be transported by road, rail, sea or air as luggage, (see warning below).

Before you travel, please contact the appropriate carrier or travel operator. You may be asked to provide certain information about the wheelchairsuch as the wheelchair mass and overall dimensions. This information can be found in the relevant model tables in section 14.0.

⚠WARNING!

The wheelchair may be transported by road, rail, sea or air as the batteries supplied conform to IATA regulations. If the batteries are replaced by non-IATA approved batteries then they will need to be removed for air travel. Your dealer can assist in supplying batteries that are IATA approved.

If transporting the wheelchair by road as luggage, it may need to be secured to prevent unintended movement into other vehicle passengers in the event of a sudden stop or placed in a space reserved for luggage. Your wheelchair can be secured by attaching suitable restraints, (see section 12.5).

Docking Systems:

The Salsa M2 Mini is approved for use with Wheelchair Adapted Vehicles (WAV). Product prescribers or users should consult with the wheelchair docking system supplier, and the WAV adaption installer to ensure compatibility with the Salsa M2 Mini and the end user's vehicle.

⚠WARNING!

Do not sit in your wheelchair when it is transported as luggage.

12.11 Storage Spec removal of parts before travelling:**⚠CAUTION!**

Before you travel, please contact the appropriate carrier. The travel operator will be able to supply details of any special requirements/instructions.

- Ensure that any detachable parts are secured with your mobility aid or separately packed and labelled so they do not get lost during loading and unloading.
- Take this Owner's Manual with you.
- The carrier will need to refer to the following sections.
- How to lock/unlock the Joystick, (Section 7).
- How to disconnect the batteries, (Section 11).
- How to disconnect the drive, (Section 5).

12.12 Medium to long term storage:

When storing your wheelchair for long periods of time (in excess of one week), follow these simple instructions:

- Fully charge the wheelchair for at least 24 hours.
- Disconnect the batteries.

⚠CAUTION!

Never store your wheelchair for medium to long periods of time:

- Outside.
- In direct sunlight, (plastic parts may discolour).
- Near a source of direct heat.
- In a damp environment.
- In a cold environment.
- With the batteries connected, (even if the controller is switched off).

Avoiding all of the above will minimise battery deep cycle discharge and extend battery lifetime.

When returning the wheelchair to use, please reconnect the batteries/battery boxes and charge the wheelchair for at least 24 hours before using again.

12.11 Storage temperature & humidity:

Storage Temperature: Min: -40°C Max: 65°C

Moisture resistance: IPx4.

No restrictions on humidity and air pressure.

CAUTION!

It is important that you follow the following cleaning and maintenance schedule in order to keep your wheelchair in tip top condition.

13.1 Tyre maintenance and pressures

WARNING!

If pneumatic tyres are fitted to your wheelchair it is important to regularly check the air pressure and for signs of wear.

CAUTION!

The correct pressures are between the minimum of 137 kilo Pascals (20 psi, 1.37 bar) and the maximum 280 kilo Pascals (40 psi, 2.8 bar) for the drive wheels. The pressure can be varied depending upon user requirements.

NOTE: See side of tyre for max pressure and tyre size.

WARNING!

- IT IS IMPORTANT that wheels on a common axle are inflated to the same pressure as a pair.
- The inflator pump, such as a foot pump, provides the safest method of inflating your wheelchair tyres and the pressure can be checked with a standard motor vehicle pressure gauge.
- Do not inflate beyond the maximum allowed tyre pressure.

13.2 Tyre wear

WARNING!

Check the tyres weekly. Bald or damaged tyres can cause punctures or reduce traction, both of these problems can lead to loss of control of the wheelchair .

When inspecting the tyres for signs of wear, look for significant scuff marks, cuts and a diminished tyre tread. Tyres will need to be changed when such damage is evident or if the tread cannot be seen over the complete surface of the tyre.

13.3 Drive wheel tyre repair

WARNING!

Wheel removal and tyre changing is a safety critical task. If you do not feel confident in carrying out the following instructions, please contact your Sunrise Medical Approved Dealer.

- With the drive wheels on the ground, use a 5.0 mm Allen key, (hex wrench), to loosen the FOUR studs, (Fig.13.1).
- The button head studs protrude through to the back of the wheel. Loosen the corresponding nylok nuts using a 13.0mm spanner, (Fig.13.2).
- Lift the wheel off the ground & secure the wheelchair with blocks or stands, (Fig.13.3).
- Remove the loosened studs and lift the drive wheel off the hub, (Fig.13.4).
- Ensure any air is expelled by pressing the valve with a small screwdriver and squeezing the tyre, (Fig.13.5).
- Use a 6.0mm Allen key, (hex wrench), to undo the FIVE rim studs in the order shown, (Fig.13.6).
- Remove the inner rim, (Fig.13.7).
- Lift the tyre and tube off the outer rim, (Fig.13.8).

NOTE: Photos for the following steps are on Page 64.

- Gently get hold of the inner tube just behind the valve and carefully feed the tube out of the tyre, (Fig.13.9).

To refit

- Place the tube inside the tyre & rest it on the outer rim
- With the valve stem aligned with the cut out in the rim. Face the valve stem outward, (Fig.13.10).
- Place the inner rim over the tyre, tube & outer rim. Align the cut out to fit over the valve stem & match it up to the cut out in the outer rim, (Fig.13.11).
- Make sure the stud mounts are in line on both rims.
- Tighten the studs in the sequence shown earlier taking care not to pinch the tube, (Fig.13.6).
- Slowly inflate to the pressure marked on the tyre.
- Refit the wheel back onto the motor shaft and fix it safely with the 4-bolts to a torque of 47Nm.

In case a solid tyre is used the wheel needs to be replaced as a complete assembly. The SALSA solid tyre drive wheel can be removed and repaired/exchanged by following the procedure for removing the drive wheel, as above.



Fig.13.1



Fig.13.2



Fig.13.3



Fig.13.4



Fig.13.5



Fig.13.6



Fig.13.7



Fig.13.8

Fig.13.9



Fig.13.10



Fig.13.11



13.4 Removing the castor wheel

⚠ WARNING!

Castor wheel removal is a safety critical task. If you do not feel confident in carrying out the following instructions, please contact your Sunrise Medical Approved Dealer.

- Use two 13mm spanners to undo axle bolt (fig 13.12)
- remove nyloc nut.
- Withdraw bolt taking care to capture washers located on each side of castor wheel (fig 13.13).
- Remove castor wheel.
- To refit, reverse above procedure taking care not to force bolt through bearing spacer.
- Gently move the wheel back and forth until bolt slips through.
- Tighten to a torque of 19Nm.

Fig.13.12



Fig.13.13



13.6 Inspection of the upholstery/seating

Tears, dents, wearing or slackening of upholstery particularly near to metal could result in poor posture or lower levels of comfort and pressure relief.

13.7 Cleaning seating

- You can wash all parts of the covers with a gentle-wash detergent at 40°C.
- You can spin-dry the covers.

CAUTION!

Do not dry the covers in a dryer.

- You can remove all parts of the covers independently of each other and wash them separately.
- Take out the foam inlays prior to washing and close the Velcro fasteners.
- Where upholstery cannot be removed, clean regularly to prevent build up or soiling.
- Clean with a damp soapy cloth however disinfectants may be used in dilution as specified by their manufacturer. Ensure surfaces are rinsed well with clean water and dried thoroughly.

WARNING

Do not use a hose or a pressure washer to clean your wheelchair.

Cleaning instructions for Comfort seating:

- Clean regularly to prevent build up or soiling.
- Clean with a damp soapy cloth and rinse well with clean water.
- Dry the surface thoroughly.
- A soft brush with soapy water may be used to remove stubborn dirt. Ensure surfaces are then rinsed and dried.

Some chemical colourings, e.g. ball point pen, food colourings or clothes dyes should be removed immediately to prevent long term staining.

CAUTION!

Do not use solvents, bleaches, abrasives, synthetic detergents, wax polishes or aerosols. Disinfectants may be used in dilution as specified by their manufacturer. Ensure surfaces are then rinsed with clean water and dried thoroughly.

13.8 Cleaning controls

Clean the control system and the joystick with a cloth dampened with diluted detergent.

CAUTION!

Be careful when cleaning the joystick.
Never use abrasive or spirit based cleaners

Speciality controls

Ensure that wafer boards, joysticks (all variants), head arrays and switches (all variants) are cleaned with a mild disinfectant and a cleaning cloth to avoid any cross infection possibilities. Following removal from wheelchair regularly wash the sip & puff mouth piece and tube to maintain cleanliness and functionality.

WARNING!

Ensure control is switched off before cleaning.

13.9 Lighting maintenance

WARNING!

Maintaining lights and indicators is a safety critical task. If your lights and indicator system shows a defect, please contact your Sunrise Medical Approved Dealer.

All lights and indicators are state of the art LED low energy, no maintenance units. There are no light bulbs used. The high intrinsic reliability of these units means that they are extremely unlikely to fail under normal usage. If a failure should occur, (may be as a result of an impact), the damaged light assembly must be replaced in its entirety. The individual LED's cannot be replaced.

CAUTION!

We recommend the use of Sunrise Medical authorised spare parts only.

NOTE: Be advised that all lighting circuits are electronically protected. In the event of a short circuit current will be limited to a safe level. Once the fault is removed the system resets automatically.

13.10 Electrical connections

When inspecting electrical connections, pay attention to the battery connections, the connection of batteries to power loom and plug in sockets for the joystick, control box and lights and indicators.

13.11 How to connect the cables to the batteries

Also refer to section 11

WARNINGS!

- If you are in any doubt, please contact your Sunrise Medical authorised dealer.
- Batteries are heavy, please use correct lifting techniques and always use the straps provided to lift the batteries.
- No smoking.
- Remove any conductive jewellery such as neck chains, bracelets, watches etc.
- Before connecting the battery terminals it is very important to identify the correct connection for each battery terminal. Failure to adhere to this will result in the wheelchair not functioning or a ruptured fuse.
- Connect all battery terminals before inserting the connectors.
- After connecting battery terminals and connectors ensure all wiring is tidy and cannot get entangled in any moving parts.

Salsa M² Mini

Parts in the battery box:

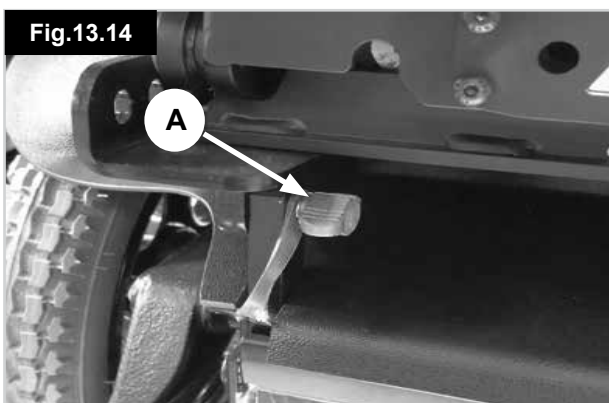
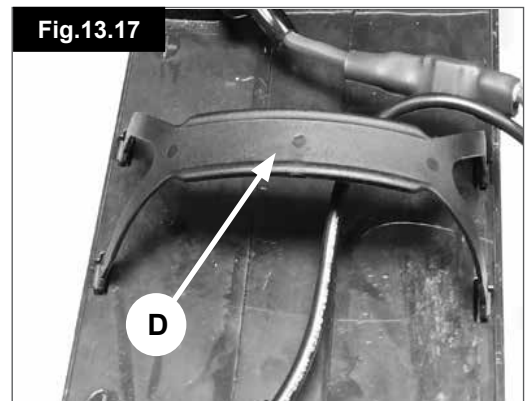
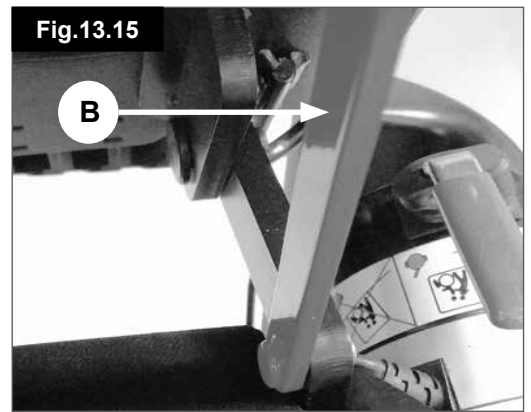
- Plastic battery box cover for 2 x 12V batteries.
- 2 x battery looms with fuse and ring terminals.
- Battery link harness with grey connectors.

Accessing the Batteries

- Release the two handle screws under the front of the seat frame that connect the seat frame with the seat module interface, (A-Fig.13.14).
- Flip the seat frame backwards and secure it with the safety bar, (B-Fig.13.15).

CAUTION!

- Depending on options, the seat may be heavy to lift. It is recommended that two people carry out this action.
- Avoid pivoting the seat more than 60° rearwards.
- The Battery Cover is secured by hook and eye pads located on the body shroud. Use gentle but firm hand pressure to lift the battery cover off.
- Lift off the battery lid
- Disconnect the 2 pin grey connectors from each battery, (C-Fig.13.16).
- There are straps available on each battery where they can be lifted out with the front battery being removed first, (D-Fig.13.17).
- Peel back the insulative cover and use a 5.0 mm Allen key, (hex wrench), to undo & remove the terminal bolt. Repeat for the other terminal/battery, (Fig.13.18).
- On refitting, the battery terminals must be covered after connection with the caps provided on the cable, (Fig.13.19).



13.12 Controller access

Accessing the Controller:

- Release the two handle screws under the front of the seat frame that connect the seat frame with the seat module interface, (A-Fig.13.20).
- Flip the seat frame backwards and secure it with the safety bar, (B-Fig.13.21).

CAUTION!

- Depending on options, the seat may be heavy to lift. It is recommended that two people carry out this action.
- Avoid pivoting the seat more than 60° rearwards.

The Battery Cover is secured by hook and eye pads located on the body shroud.

- Use gentle but firm hand pressure to lift the battery cover off.
- Lift off the battery lid.
- The controller is fitted just below the battery cover, (C-Fig.13.22).

To refit the seat locking screws, please refer to section 11.1.

WARNING!

- The controller is a non-servicable part.
- The controller is a safety critical part.
- Do not attempt a repair.
- If a fault with the controller is suspected, contact your authorised Sunrise Medical service agent immediately.

13.13 Storage

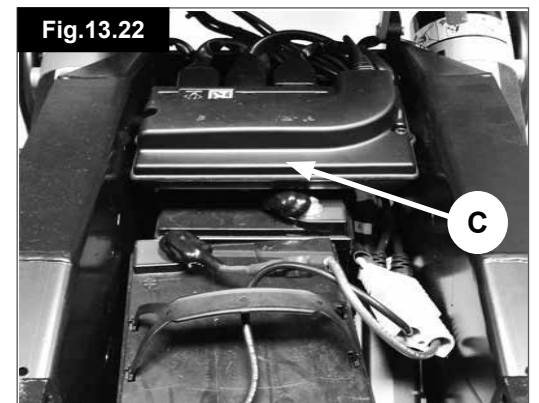
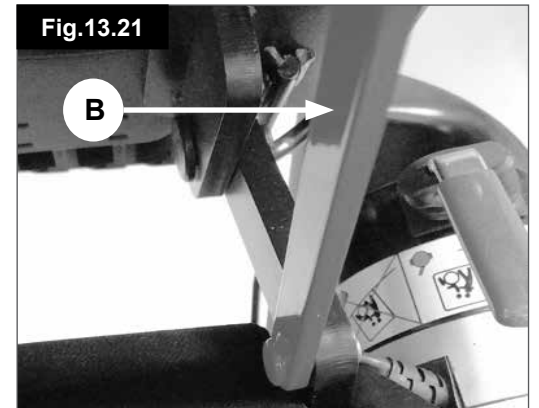
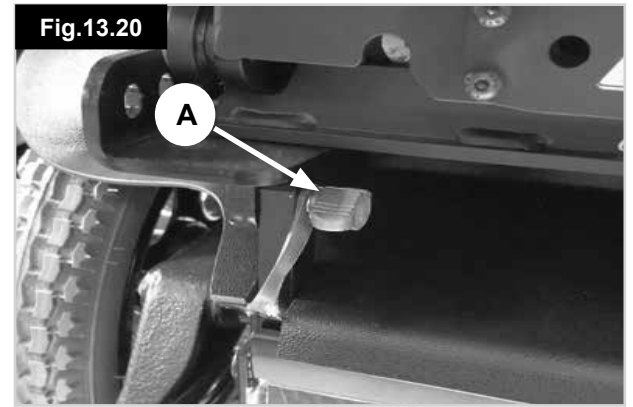
When storing your wheelchair for long periods of time (in excess of one week) first fully charge, and then disconnect the batteries, to minimise battery discharge.

CAUTION!

Never store your wheelchair in direct sunlight or in a damp/outdoor environment. It might bleach plastic parts and components.

13.14 Authorised Sunrise Medical service agents

The annual full service must be performed by an approved Sunrise Medical authorised dealer. For a list of approved authorised dealers in your area please contact Sunrise Medical Customer Service at the address in section 1.0.



13.15 Recommended maintenance routines

(Fig13.35)

Tools required:

Battery charger, Tyre pump, Stiff brush, Petroleum jelly
Cleaning cloth and dilute disinfectant.

WARNING!

If in any doubt about performing any maintenance on your wheelchair, contact your Sunrise Medical authorised dealer.

Daily checks:

With the control system switched off, check that the joystick is not bent or damaged and that it returns to the centre when you push and release it.

Weekly checks:

CAUTION!

Parking brake:

This test should be carried out on a level floor with at least one metre clearance around the wheelchair.

- Switch on the control system.
- Check that the battery gauge remains on, or flashes slowly, after one second.
- Push the joystick slowly forwards until you hear the parking brakes operate. The wheelchair may start to move.
- Immediately release the joystick.
- You must be able to hear each parking brake operate within a few seconds.
- Repeat the test a further 3 times, pushing the joystick slowly backwards, left and right.

Connectors:

Make sure that all connectors are securely mated.

Cables:

Check the condition of the cables and connectors for damage, ensuring that no cables can snag or foul any moving parts.

Joystick gaiter:

Check the thin rubber gaiter or boot around the base of the joystick shaft for damage or splitting. Check visually only, do not handle the gaiter.

Mounting:

Make sure that all components of the control system are securely mounted. Do not over-tighten any securing screws.

CAUTION!

Please refer to the table below, (Fig.13.34), for any information about Torques.

Fastener Matrix	Torque Setting (Nm)
M3 Bolt / Stud	1
M4 Bolt / Stud	2.5 - 3
M5 Bolt / Stud	5 - 6
M6 Bolt / Stud	9 - 10
M8 Bolt / Stud	19 - 20 (15 Nm for all backrest screws)
M10 Bolt / Stud	30 Nm (5Nm on manual & electric backrest recline actuator)
M12 Bolt / Stud	47.5
M16 Bolt / Stud	54
No6 Screw	1.5
Castor fork nut & bolt	25
Castor wheel axle studs	19
Drive wheel hub studs	25

Fig.13.34

The table shown in Fig.13.34 contains generic, (and some specific), torque values set out as an industry standard. There will be specific torque setting required for some tasks. If specific torques are required, the value in each instance will be contained within the text description, title or clearly labelled within the photo.

NOTE: It will be necessary to use a torque wrench.

WARNINGS!

- It is highly recommended that all specific instruction manuals and safety recommendations supplied with the torque wrench, should be read and understood before such equipment is used.
- It is recommended that all mandatory safety procedures are strictly adhered to.
- No responsibility is accepted by Sunrise Medical for any consequence, directly or indirectly, resulting from incorrect use of tools / equipment during any service procedure pertaining to this or other Technical / Workshop Manuals issued by Sunrise Medical.

13.16 Performance checks

After performing any maintenance or repairs on the wheelchair you must make sure that it is functioning correctly before it is used.

- Visually inspect the wheelchair to make sure the legrests, armrests etc are correctly positioned and attached to the wheelchair and all fasteners are sufficiently tightened.
- Make sure that the backrest is correctly fitted and adjusted.
- Make sure that all of the cushions are in place
- Switch on the hand control – Do the lights flash? This signifies that there is a fault in the electronic system. Refer to section 8 for basic troubleshooting.
- Perform the parking brake check.
- Operate all of the electric options, including lights and indicators (if fitted) to make sure that they work correctly.

- With the seating in an elevated position, drive the wheelchair to make sure that the 'creep' mode works which will slow the wheelchair .
- Drive the wheelchair in each of the drive profiles to make sure the wheelchair performs as it did before.

CAUTION!

- If you are in any doubt about the performance requirements of your wheelchair contact your Sunrise Medical authorised dealer.
- You should check the items on this chart at the indicated intervals. If any of the items are loose, worn, bent or distorted, immediately have them checked and/or repaired by your authorised Sunrise supplier.
- Frequent maintenance and servicing will improve performance, extend wheelchair life, and help prevent injuries.

Fig.13.35

Maintenance & Inspection Schedule	Daily *	Weekly	Quarterly	Annually
Check battery level indicator and charge if necessary	*			
Check the joystick of the hand control is not bent or damaged	*			
Ensure all parts and assemblies are securely fastened	*			
Check anterior pelvic support for wear and make sure the buckle is operational	*			
Motor Brake Test	*			
Check tyre condition and wheel fasteners.	*			
Ensure lights and indicators, (where fitted), are operational and clean	*			
Ensure all cables and connectors are sound and are tidy and out of the way	*			
Check upholstery, seating, headrests, arm pads and calf pads for wear.	*			
Inspect all nuts, bolts, studs and fasteners for damage and tightness. Contact your authorised dealer for service assistance.	*			
Clean wheelchair upholstery		*		
Check battery terminals for tightness etc.			*	
Complete inspection, safety check and service should be made by a Sunrise Medical authorised dealer				*

* Daily = Before each use of the wheelchair .

14.0 Specification sheets (EN 12184 & ISO 7176-15)

Sunrise Medical
Thorns Road
Brierley Hill
West Midlands
DY5 2LD
Phone: 0845 605 66 88
www.SunriseMedical.co.uk

Operating temperature: - 25°C to 50°C
Storage temperature: -40°C to 65°C
Moisture resistance: IPx4
No restrictions on humidity and air pressure

Model: Quickie Salsa M² Mini



Maximum occupant mass (test dummy mass): 140 kg

The wheelchair Quickie Salsa conforms to the following standards:

a) requirements and test methods for static, impact and fatigue strengths (ISO 7176-8)

b) power and control systems for electric wheelchairs requirements and test methods (ISO 7176-14)

c) climatic test in accordance with ISO 7176-9

d) requirements for resistance to ignition in accordance with ISO 7176-16

e) the product is specified as a Class B power wheelchair, but with limited range.

ISO 7176-15	Min	Max	Comments
Overall length (with legrest)	-	1120 mm (1,12 m)	With Uni type hangers
Overall width powerbase	-	520 mm	
Overall width seat	530 mm	630 mm	Across std armpads
Folded length	N.A	N.A	Not a folding wheelchair
Folded height	N.A	N.A	Not a folding wheelchair
Total mass (w/batteries)	97kg	112kg	Basic / With 30° tilt
Mass of the heaviest part	69kg	84kg	Removable parts taken off
Static stability downhill	11°	-	Power tilt – 0° Recline – 0° FSH - 470 mm Seat – 16"/400 mm
Static stability uphill	9°	-	Power tilt – 30° Recline – 16° FSH - 470 mm Seat – 20"/500 mm
Static stability sideways	10°	-	Power tilt – 30° Recline – 16° FSH - 470 mm Seat – 20"/500 mm
Energy consumption (Max. range)	-	23 km	
Dynamic stability uphill	6°	8°	Depending on options
Obstacle climbing	50 mm	70 mm	No-run / 500 mm (0.5m run)
Maximum speed forward	3.2km/h (2mph)	6.4 km/h (4mph)	Dep. Programming option
Minimum braking distance from max. speed	-	1200 mm (1,2 m)	
Seat plane angle	-5°	30°	Depends on option
Effective seat depth	410 mm	510 mm	25 mm increments
Effective seat width	410 mm	510 mm	25 mm increments
Seat surface height at front edge	430 mm	49 mm	Depends on option
Backrest angle	-5°	30°	Depends on option
Backrest height	460 mm	510 mm	
Footrest to seat distance	360 mm	510 mm	With Uni type hangers
Leg to seat surface angle	-	84°	With Uni type hangers
Armrest to seat distance	230 mm	310 mm	
Front location of armrest structure	370 mm	470 mm	
Minimum turning radius	-	700 mm	With Uni type hangers
Mass of the test dummy	-	140kg	
EN 12184	Min	Max	Comments
Maximum height of kerb safely descend	-	70mm	
Minimum width of corridor	-	1140mm	With Uni type hangers
Minimum ground clearance	35mm	-	
Speed control operation force	-	1,8 N	
Direction control operation force	-	1,5 N	

15.0 Service History

This section is designed to assist you in keeping a record of any service and repairs to your wheelchair. Should you decide to sell or exchange your vehicle in the future, this will prove most helpful to you. Your Service Agent will also benefit from a documented record and this manual should accompany the wheelchair when service or repair work is carried out. The Service Agent will complete this section and return the manual to you. All our wheelchairs, wheelchairs and power wheelchairs undergo rigorous tests to ensure that they meet our requirements of comfort, safety and durability.

Our success is based on the strong traditions of quality, value for money and genuinely caring for our customers. We pride ourselves not only on designing and building the most innovative products but also on our commitment to offer an excellent standard of customer service both during and after sale.

Fig.15.1

Model					Serial No				
Year	1	2	3	4	Year	1	2	3	4
Date					Date				
Controller					Chassis				
Horn					Tightness of All Fasteners				
On/Off switch					Condition				
Output plug					Steering				
Joystick					Upholstery				
Brakes					Seat				
Programme configuration					Backrest				
Batteries					Armrests				
Level					Electrics				
Connections					Condition of loom				
Discharge level					Connections				
Wheels					Test run				
Wear					Forwards				
Pressure					Reverse				
Bearings					Emergency stop				
Wheel nuts					Left turn				
Motors					Right turn				
Wiring					Up/Down slope				
Connections					Over obstacles				
Noise					Parking brake				
Brakes					Note: Only use Sunrise Medical parts for service and repairs				
Brushes									

16.0 Disposal

If the wheelchair has been supplied to you free of charge it may not belong to you. If it is no longer required, follow any instructions given by the organisation issuing the wheelchair in order that it may be returned to them.

The following information describes the materials used in the wheelchair in relation to their disposal or re-cycling of the wheelchair and its packaging.

Specific waste disposal or recycling regulations may be in force locally and these should take into consideration when disposal arrangements are made. (This may include the cleaning or de-contamination of the wheelchair before disposal).

Aluminium: - Armrest casting, drive wheels, some foot plates, castor arm castings.

Steel: - Base unit, seat and backrest frame, motor mounts, armpad brackets, castor forks, leg rests, and fasteners.

Plastic: - Handgrips, tube plugs, seat location brackets, castor wheels and tyres, top shroud.

Packaging: - Low density polythene bag, cardboard box.

Upholstery: - Woven polyester with PVC coatings and expanded combustion modified foam.

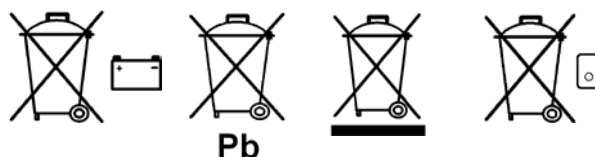
Batteries and Electrical items:

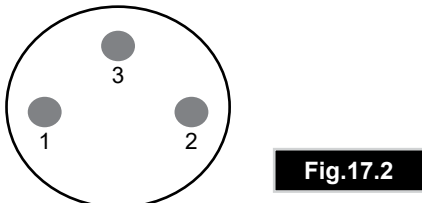
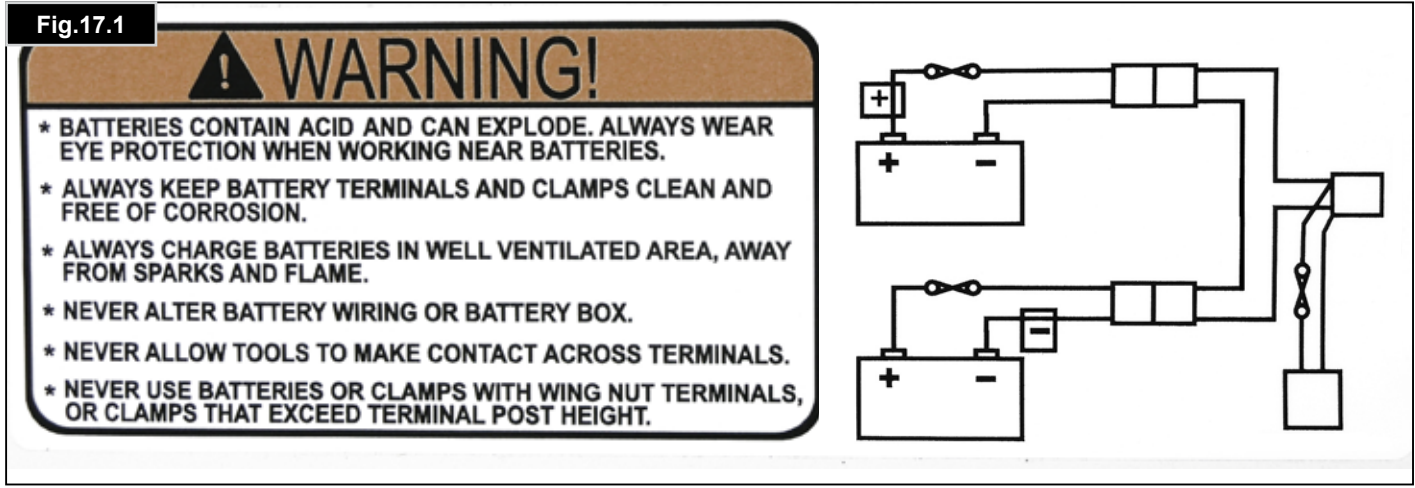
WARNING!

- Do not attempt to open the batteries.
- Batteries contain sulphuric acid.
- Batteries should be returned to Sunrise Medical or your wheelchair dealer.
- Alternatively, batteries should be recycled at a specific licensed disposal centre.

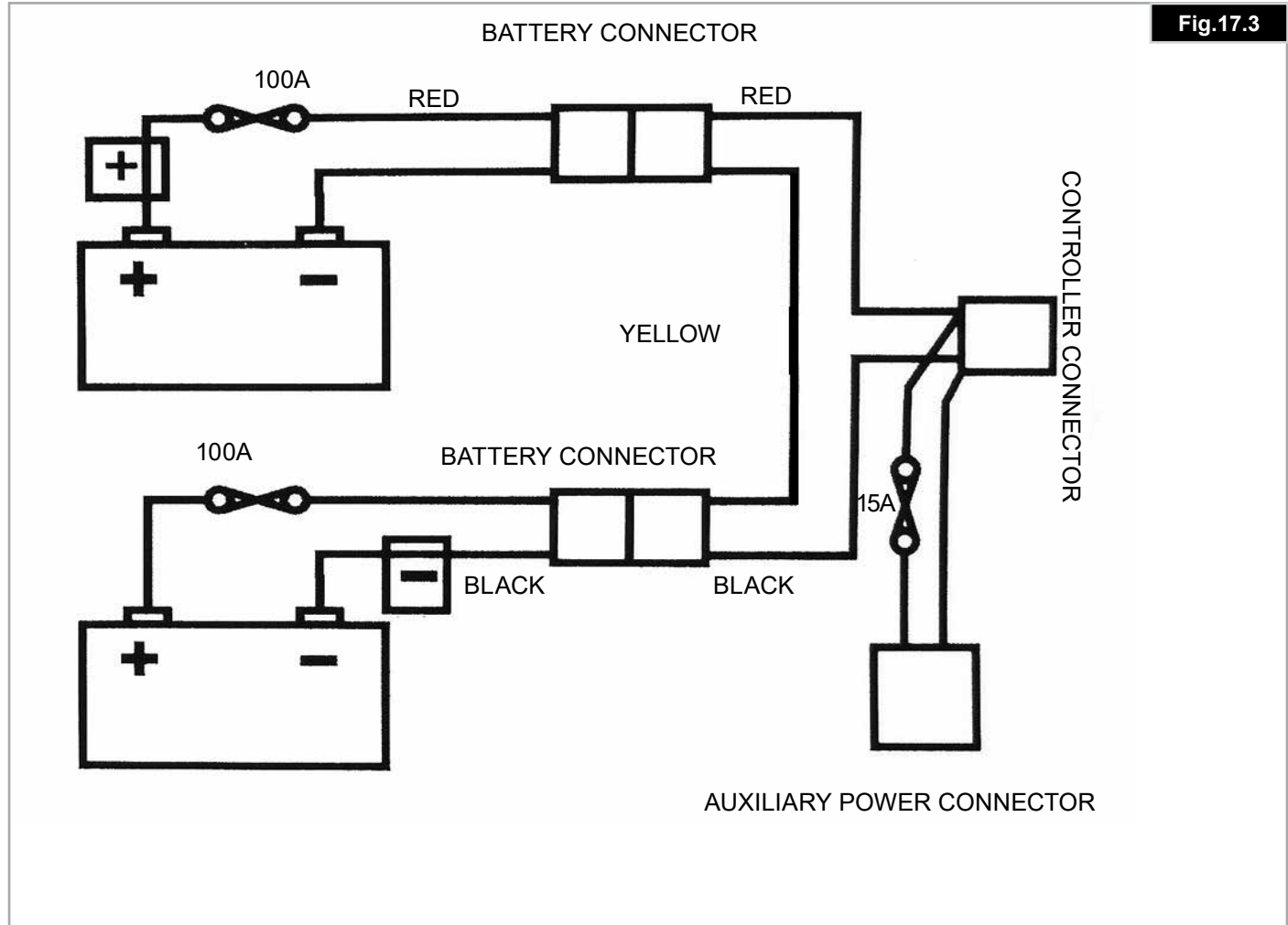
The symbols below mean that in accordance with local laws and regulations your product should be disposed of separately from household waste. When this product reaches the end of its life, take it to the local collection point designated by local authorities. The separate collection and recycling of your product at the time of disposal will help conserve natural resources and ensure that it is recycled in a manner that protects the environment.

NOTE: Ensure you are the legal owner of the product prior to arranging for the product disposal in accordance with the above recommendations.





Charger Socket:
 Pin 1: Battery Positive
 Pin 2: Battery Negative
 Pin 3: Inhibit



Sunrise Medical S.r.l.
Via Riva, 20 – Montale
29122 Piacenza
Italia
Tel.: +39 0523 573111
Fax: +39 0523 570060
www.SunriseMedical.it

Sunrise Medical AG
Erlenauweg 17
CH-3110 Münsingen
Schweiz/Suisse/Svizzera
Fon +41 (0)31 958 3838
Fax +41 (0)31 958 3848
www.SunriseMedical.ch

Sunrise Medical AS
Delitoppen 3
1540 Vestby
Norge
Telefon: +47 66 96 38 00
post@sunrisemedical.no
www.SunriseMedical.no

Sunrise Medical AB
Neogatan 5
431 53 Mölndal
Sweden
Tel.: +46 (0)31 748 37 00
post@sunrisemedical.se
www.SunriseMedical.se

MEDICCO s.r.o.
H – Park, Heršpická 1013/11d,
625 00 Brno
Czech Republic
Tel.: (+420) 547 250 955
Fax: (+420) 547 250 956
www.medicco.cz
info@medicco.cz
Bezplatná linka 800 900 809

Sunrise Medical Aps
Mårkærvej 5-9
2630 Taastrup
Denmark
+45 70 22 43 49
info@sunrisemedical.dk
Sunrisemedical.dk

Sunrise Medical Pty. Ltd.
6 Healey Circuit, Huntingwood,
NSW 2148,
Australia
Phone: 9678 6600,
Orders Fax: 9678 6655,
Admin Fax: 9831 2244.
Australia
www.sunrisemedical.com.au

Sunrise Medical
North American Headquarters
2842 Business Park Avenue
Fresno, CA, 93727, USA
(800) 333-4000
(800) 300-7502
www.SunriseMedical.com



Sunrise Medical GmbH
Kahlbachring 2-4
69254 Malsch/Heidelberg
Deutschland
Tel.: +49 (0) 7253/980-0
Fax: +49 (0) 7253/980-222
www.SunriseMedical.de

Sunrise Medical
Thorns Road
Brierley Hill
West Midlands
DY5 2LD
England
Phone: 0845 605 66 88
Fax: 0845 605 66 89
www.SunriseMedical.co.uk

Sunrise Medical S.L.
Polígono Bakiola, 41
48498 Arrankudiaga – Vizcaya
España
Tel.: +34 (0) 902142434
Fax: +34 (0) 946481575
www.SunriseMedical.es

Sunrise Medical Poland
Sp. z o.o.
ul. Elektronowa 6,
94-103 Łódź
Polska
Telefon: + 48 42 275 83 38
Fax: + 48 42 209 35 23
E-mail: pl@sunrisemedical.de
www.Sunrise-Medical.pl

Sunrise Medical B.V.
Groningenhaven 18-20
3433 PE NIEUWEGEIN
The Netherlands
T: +31 (0)30 – 60 82 100
F: +31 (0)30 – 60 55 880
E: info@sunrisemedical.nl
www.SunriseMedical.nl

Sunrise Medical HCM B.V.
Vossenbeemd 104
5705 CL Helmond
The Netherlands
T: +31 (0)492 593 888
E: customerservice@sunrisemedical.nl
www.SunriseMedical.nl
www.SunriseMedical.eu
(International)

Sunrise Medical S.A.S
ZAC de la Vrillonnerie
17 Rue Mickaël Faraday
37170 Chambray-Lès-Tours
Tel : + 33 (0) 247554400
Fax : +30 (0) 247554403
www.sunrisemedical.fr

