



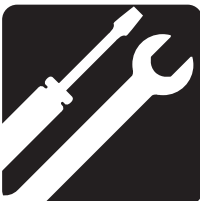
ASSEMBLY



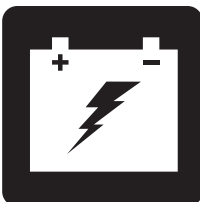
OPERATION



COMFORT



MAINTENANCE



BATTERY  
CHARGING

first choice  
**mobility**  
LTD  
[www.firstchoicemobility.com](http://www.firstchoicemobility.com)  
instore | online | mobile




# FULL-SIZE SCOOTER SERIES

## OWNER'S MANUAL

---

# SCOOTER FEATURES TABLE

Model	Console Style		Frame Style (Assembly/Disassembly)		Anti-tip wheels	Options*			Main Circuit Breaker (Type)		
	A	B	1-piece frame	2-piece frame		Included	Hi-Low Switch	Handbrake	Suspension Seat Post	Reset Button	Reset Lever
											
613	•	•		•	•	•	•	•	•		
614	•	•	•		•	•				•	•
713	•	•		•	•	•	•	•	•		
714	•	•	•			•	•			•	•

*\*NOTE: Scooter options vary by country. Please contact your Provider to determine which options are available for your Scooter.*

*NOTE: Please become familiar with your scooter's model number. The number can be found on the product specification sheet in your owner's package. Throughout this owner's manual, Scooter attributes are identified by model number (far left-hand column on Scooter Features Table). Knowing your unit's model number will aid you in determining your particular scooter's unique characteristics.*

## INTENDED USE

The intended use of the mobility device is to provide mobility to persons limited to a seated position that have the capability of operating a scooter.

## REGARDING DEVICES FOR PRESCRIPTION USE



**CAUTION! Federal law restricts this device to sale by or on the order of a physician or other certified personnel licensed by the law of the State (US only) or region in which this personnel practices to use or order the use of this device.**

*NOTE: This owner's manual is compiled from the latest specifications and product information available at the time of publication. We reserve the right to make changes as they become necessary. Any changes to our products may cause slight variations between the illustrations and explanations in this manual and the product you have purchased. The latest/current version of this manual is available on our website.*

*NOTE: This product is compliant with WEEE, RoHS, and REACH directives and requirements.*

*NOTE: This product complies with IPX4 Classification (IEC 60529).*

*NOTE: The scooter and its components are not made with natural rubber latex. Consult with the manufacturer regarding any after-market accessories.*



# CONTENTS

<b>SAFETY GUIDELINES</b> .....	3
<b>I. SAFETY</b> .....	4
<b>II. YOUR SCOOTER</b> .....	7
<b>III. BATTERIES AND CHARGING</b> .....	19
<b>IV. OPERATION</b> .....	26
<b>V. COMFORT ADJUSTMENTS</b> .....	28
<b>VI. DISASSEMBLY AND ASSEMBLY</b> .....	32
<b>VII. BASIC TROUBLESHOOTING</b> .....	34
<b>VIII. CARE AND MAINTENANCE</b> .....	36

## SAFETY GUIDELINES



**WARNING!** An authorized Provider or qualified technician must perform the initial setup of this scooter and must perform all of the procedures in this manual.

The symbols below are used throughout this owner's manual and on the scooter to identify warnings and important information. It is very important for you to read them and understand them completely.



**WARNING!** Indicates a potentially hazardous condition/situation. Failure to follow designated procedures can cause either personal injury, component damage, or malfunction. On the product, this icon is represented as a black symbol on a yellow triangle with a black border.



**MANDATORY!** These actions should be performed as specified. Failure to perform mandatory actions can cause personal injury and/or equipment damage. On the product, this icon is represented as a white symbol on a blue dot with a white border.



**PROHIBITED!** These actions are prohibited. These actions should not be performed at any time or in any circumstances. Performing a prohibited action can cause personal injury and/or equipment damage. On the product, this icon is represented as a black symbol with a red circle and red slash.

# I. SAFETY

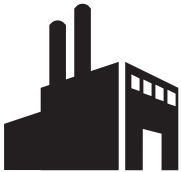
## PRODUCT SAFETY SYMBOLS

The symbols below are used on the scooter to identify warnings, mandatory actions, and prohibited actions. It is very important for you to read and understand them completely.

*NOTE: There are more warnings identified and explained in the Consumer Safety Guide that is included with your scooter. Please become familiar with all the warnings and safety information found in the Consumer Safety Guide and refer to this resource often.*



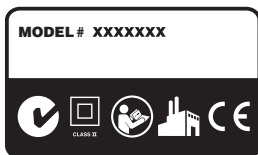
**Read and follow the information in the owner's manual.**



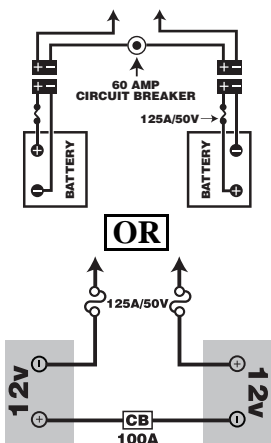
**Manufactured in.**



**Indicates tie-down points on the scooter.**



**Scooter information label.**



### **Battery Set Configuration:**

**+ = Positive (Red) Terminal Post**

**- = Negative (Black) Terminal Post**

**Connect Red wires to Red Positive (+) Terminal Posts.**

**Connect Black wire to Black Negative (-) Terminal Posts.**

# I. SAFETY

## GENERAL



**MANDATORY! Do not operate your new scooter for the first time without completely reading and understanding this owner's manual and the Consumer Safety Guide.**

Your scooter is a state-of-the-art life-enhancement device designed to increase mobility. We provide an extensive variety of products to best fit the individual needs of the scooter user. Please be aware that the final selection and purchasing decision regarding the type of scooter to be used is the responsibility of the scooter user, who is capable of making such a decision and his/her healthcare professional (i.e., medical doctor, physical therapist, etc.).

The contents of this manual are based on the expectation that a mobility device expert has properly fitted the scooter to the user and has assisted the prescribing healthcare professional and/or the authorized Provider in the instruction process for the use of the product.

There are certain situations, including some medical conditions, where the scooter user will need to practice operating the scooter in the presence of a trained attendant. A trained attendant can be defined as a family member or care professional specially trained in assisting a scooter user in various daily living activities.

As you begin using your scooter during daily activities, you will probably encounter situations in which you will need some practice. Simply take your time and you will soon be in full and confident control as you maneuver through doorways, on and off elevators, up and down ramps and over moderate terrain.

Additional general information can be found on the supplemental information sheets and booklets included in your Owner's Package. Please fully read and review the information, and keep it readily available for future reference.

Below are some precautions, tips and other safety considerations that will help you become accustomed to operating the scooter safely.

### PRE-RIDE SAFETY CHECK

Get to know the feel of your scooter and its capabilities. We recommend that you perform a safety check before each use to make sure your scooter operates smoothly and safely.

#### Perform the following inspections prior to using your scooter:

- Check the condition of the tires. Make sure they are not damaged or excessively worn.
- Check all electrical connections. Make sure they are tight and not corroded.
- Check all harness connections. Make sure they are secured properly.
- Check the brakes to ensure they operate properly.
- Check the battery condition meter to ensure the batteries are fully charged.
- Ensure the manual freewheel lever is in drive mode before sitting on the scooter.

If you discover a problem, contact your authorized Provider for assistance. Please refer to the Contact Information insert in your Owner's Package.

# I. SAFETY

## BRAKING INFORMATION

Your scooter is equipped with these powerful brake systems:

- Regenerative: Uses electricity to rapidly slow the vehicle when the throttle control lever returns to the center/stop position.
- Disc Park Brake: Activates mechanically after regenerative braking slows the vehicle to near stop or when power is removed from the system for any reason.
- (Optional) Handbrake: This lever provides you with emergency stopping power. See II. “Your Scooter.”

## HANDBRAKE LEVER (OPTIONAL — MODELS 613, 713, AND 714)

The handbrake lever contains hydraulic fluid. When the lever is depressed, the fluid is pushed through the brake line to engage the brake pads against the brake discs. The handbrake lever is a completely sealed unit, meaning that the hydraulic fluid should not leak; however, there are certain safety measures that should be taken if the handbrake lever becomes cracked or damaged.

- Do not touch spilled material unless wearing protective equipment, such as safety goggles and gloves.
- For small spills, cover the material with dry earth, sand or other non-combustible absorbent material. Once absorbed, enclose the material in a plastic bag and contact your local waste disposal agency for proper disposal measures. Do not expose the material to waterways or sewers.
- If the eyes are exposed, check for and remove contact lenses. Flush eyes with cool, clean, low-pressure water while occasionally lifting and lowering the eyelids. Seek medical attention if excessive tearing, redness or pain persists.
- If the skin is exposed, remove all contaminated clothing. Wipe off excess material and wash exposed skin with soap and water. Seek medical attention if skin appears damaged or if irritation persists. Thoroughly clean contaminated clothing before reuse. Discard contaminated leather goods.
- If ingested, do not induce vomiting or give anything to drink unless directed to by a physician. Never give anything by mouth to a person who is not fully conscious. Seek medical attention immediately.
- If inhaled, move the affected individual to fresh air. If the affected individual is not breathing, immediately begin rescue breathing. If breathing is difficult, 100% humidified oxygen should be administered by a qualified individual. Seek medical attention immediately and keep the affected individual warm and at rest.
- If ignited, use dry chemical, foam, carbon dioxide or water fog to extinguish.

**WARNING! Do not modify the handbrake lever or attempt to replace the hydraulic fluid. If damage occurs, follow the safety information in this section and contact your authorized dealer for handbrake replacement. The hydraulic handbrake should only be serviced or replaced by your authorized dealer.**



**WARNING! The handbrake contains hydraulic fluid that can cause mild skin, eye and nasal/bronchial irritation. Do not attempt to adjust or service the handbrake without proper protective equipment such as safety goggles and gloves and wash hands after handling.**

## II. YOUR SCOOTER

### TILLER CONSOLE

The tiller console houses all of the controls needed to drive your scooter, including the speed adjustment dial, key switch, battery condition meter, status LED, horn buttons, turn signal buttons, handbrake lever, tiller adjustment lever, and the throttle control lever. Please note that some of the features listed in this section are optional items and may not appear on your scooter. See **figure 1**.

**NOTE:** *If your scooter is equipped with an LCD Control Panel, please advance to the page in this section that begins **TILLER CONSOLE: LCD CONTROL PANEL**.*



**PROHIBITED!** Do not expose the tiller console to moisture. In the event that the tiller console does become exposed to moisture, do not attempt to operate your scooter until the tiller console has dried thoroughly.

### IDENTIFICATION KEY

- |                              |                             |
|------------------------------|-----------------------------|
| 1. HORN BUTTON               | 8. SPEED ADJUSTMENT DIAL    |
| 2. *LEFT TURN SIGNAL BUTTON  | 9. BATTERY CONDITION METER  |
| 3. *HAZARD LIGHTS SWITCH     | 10. KEY SWITCH              |
| 4. LIGHT SWITCH              | 11. MIRROR AND MIRROR PLUGS |
| 5. *RIGHT TURN SIGNAL BUTTON | 12. TILLER ADJUSTMENT LEVER |
| 6. *HI-LOW SWITCH            | 13. *HANDBRAKE LEVER        |
| 7. THROTTLE CONTROL LEVER    | 14. BRAKE LOCK              |

\*OPTIONAL COMPONENTS AVAILABLE ON SOME MODELS

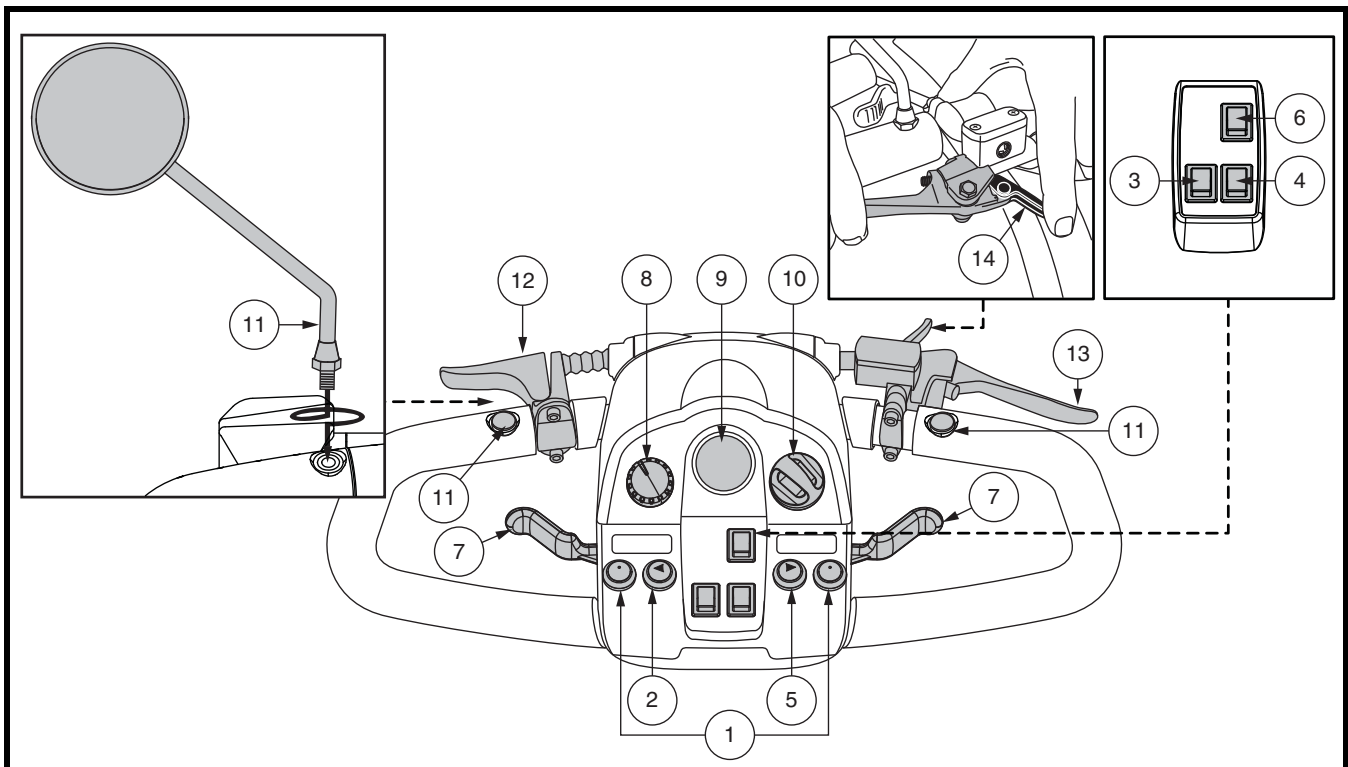


Figure 1. Tiller Console Components - Style A

## II. YOUR SCOOTER

### Horn Buttons

These buttons activate a warning horn. Your scooter must be powered up for the horn to be operational. Do not hesitate to use the warning horn when doing so may prevent accident or injury.

### Turn Signal Buttons

Use these buttons to turn on the left and right turn signal (amber) lights.

- Push the left button to activate the left turn signal light. The turn signal LED located in the battery condition meter will flash.
- Push the right button to activate the right turn signal light. The turn signal LED located in the battery condition meter will flash.
- The turn signals are timed to shut off automatically.

### Lights Switch

This switch controls your scooter's lighting system.

- Toggle the switch forward to turn on the lighting system.
- Toggle the switch rearward to turn off the lighting system.



**WARNING! Scooter users are required to use their lights when visibility is restricted—day or night.**

### Hazard Lights Switch

This switch activates the 4-way flashers on your scooter.

- Toggle the hazard lights switch forward to turn on the flashers.
- Toggle the hazard lights switch rearward to turn off the flashers.

### Hi-Low Switch

This switch toggles the scooter's speed between Hi and Low. Toggle the switch forward (Hi) to achieve the maximum preprogrammed speed for the scooter. Toggle the switch rearward (Low) to achieve half the maximum preprogrammed speed of the scooter.

### Throttle Control Lever

This lever allows you to control the forward speed and the reverse speed of your scooter up to the maximum speed you preset with the speed adjustment dial.

#### To Move Forward, use either of the following:

- Use your left thumb to push the left side of the throttle control lever.
- Use your right hand fingers to pull back on the right side of the throttle control lever.

#### To Move Rearward, use either of the following:

- Use your right thumb to push the right side of the throttle control lever.
- Use your left hand fingers to pull back on the left side of the throttle control lever.

Release the throttle control lever and allow your scooter to come to a complete stop before engaging the other side of the lever. When the throttle control lever is completely released, it automatically returns to the center “stop” position and engages your scooter's brakes.

### Speed Adjustment Dial

This dial allows you to preselect and limit your scooter's top speed.

- The image of the **tortoise** represents the slowest speed setting.
- The image of the **hare** represents the fastest speed setting.



## II. YOUR SCOOTER

### Battery Condition Meter

When the key is fully inserted and turned clockwise to power up your scooter, this meter indicates the approximate battery voltage strength. For further information on battery charging, see III. “Batteries and Charging.”

### Status LED

The status LED alerts you to electrical problems that may occur with the scooter. The LED remains constantly lit while your scooter is on. If your scooter develops an electrical problem, the status LED will flash a code. See VII. “Basic Troubleshooting” for flash codes.

### Key Switch

- Insert the key into the key switch and turn it clockwise to power up (turn on) your scooter.
- Turn the key counterclockwise to power down (turn off) your scooter.



**WARNING! If the key is turned to the “off” position while your scooter is in motion, the electronic brakes will engage and your scooter will come to an abrupt stop!**

### Mirror Positioning and Adjustment

For information on positioning and adjusting your mirror, see V. “Comfort Adjustments.”

### Tiller Angle Adjustment

For information on positioning and adjusting your tiller, see V. “Comfort Adjustments.”

### Handbrake Lever

This lever provides you with emergency stopping power. When in motion, release the throttle control lever and gently squeeze the handbrake lever to come to a stop.

The handbrake can be locked and used as a parking brake by squeezing the handbrake lever fully and moving the brake lock to the locked position. **See figure 1.** To release the brake lock, fully squeeze the handbrake.



**WARNING! The handbrake is intended for use as an emergency brake and/or parking brake only.**

### Off-board Charger Port

The off-board charger power cord plugs into this port during battery charging. The off-board charger port will be located on the tiller. **See figure 2.**

### Electrical System Fuses

Your scooter is equipped with a series of electrical system fuses, which help protect the off-board charging system, key switch, and lighting system from receiving an overload of electrical current. These fuses are the same type used in automobiles and are located in a compartment on the tiller. **See figure 2.**

**NOTE: Keep all electrical areas clean and free of moisture and foreign material.**

### IDENTIFICATION KEY

1. CHARGER POWER CORD RECEPTACLE
2. OFF-BOARD CHARGER FUSE
3. KEY SWITCH FUSE
4. LOWER HEADLIGHT FUSE
5. REAR TAIL LIGHTS FUSE
6. LEFT TURN SIGNAL FUSE
7. RIGHT TURN SIGNAL FUSE

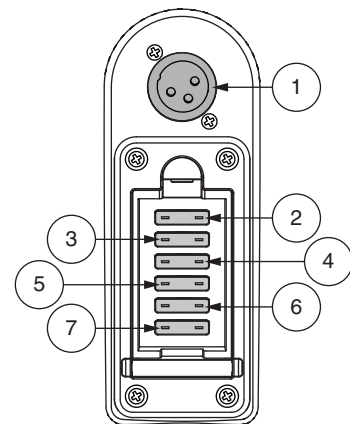


Figure 2. Off-board Charger Port/Tiller Console Fuses

# II. YOUR SCOOTER

## TILLER CONSOLE: LCD CONTROL PANEL

The tiller console and lower tiller house all of the controls needed to drive your scooter, including the LCD control panel, throttle control levers, key switch, and the throttle control lever switch. See figure 3.



**PROHIBITED! Do not expose the tiller console to moisture. In the event that the tiller console does become exposed to moisture, do not attempt to operate your scooter until the tiller console has dried thoroughly.**

### Horn Buttons

These buttons activate a warning horn. Your scooter must be powered up for the horn to be operational. Do not hesitate to use the warning horn when doing so may prevent accident or injury.

### Turn Signal Buttons

- Press the appropriate turn signal button once to activate it. The turn signal will flash on the LCD screen.
- Press the same signal button to turn it off.

*NOTE: The turn signals are timed to shut off after 15 seconds. A warning beep will sound as long as the turn signal is on. See figure 5 for volume control.*

### Lights Button

- Press the lights button once to activate the lighting system. The light symbol will be shown on the LCD screen.
- Press the lights button again to turn the lighting system off.



**WARNING! Scooter users are required to use their lights when visibility is restricted—day or night.**

### LCD Screen and Control Panel Settings

The LCD control panel offers easily intuited feedback information via the LCD screen. See figure 3. The LCD screen is also used during the set-up (activation) of the various control panel settings.

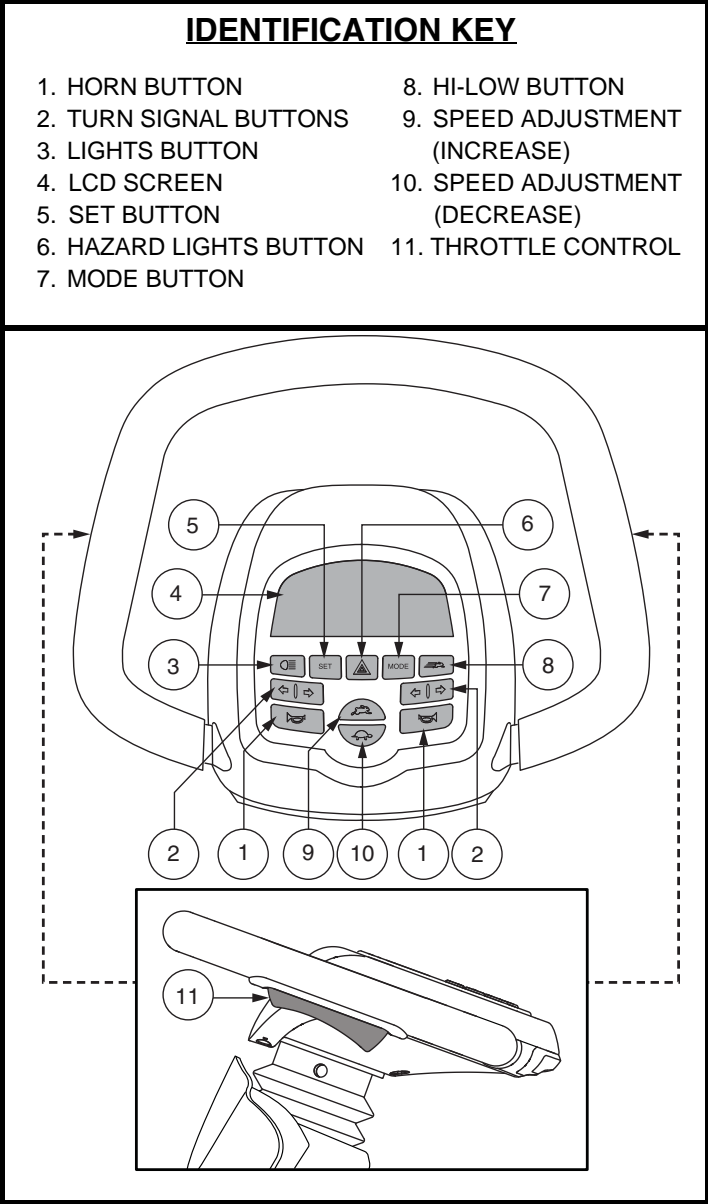


Figure 3. LCD Control Panel - Style B

## II. YOUR SCOOTER

### Hazard Lights Button

This button activates the 4-way yellow flashers on your scooter.

- Press the button once to turn on the flashers.
- Press the button again to turn off the flashers.

*NOTE: The 4-way flashers will flash and a warning beep will sound as long as the hazard lights are on. See figure 5 for volume control.*

### Mode Button

Use the mode button to scroll between the odometer, tripometer, temperature, and clock.

### High-Low Button

This button toggles the scooter's speed between HIGH and LOW.

- Press the **High-Low** button once to set the speed adjustment to high. The High-Low indicator will display on the LCD screen. **See figure 4.** Using this setting in conjunction with the speed adjustment buttons will allow the scooter to achieve speeds up to the maximum preprogrammed speed for the scooter.
- Press the **High-Low** button again to set the speed adjustment to Low. The High-Low indicator will not display on the LCD screen. Using this setting in conjunction with the speed adjustment buttons will allow the scooter to achieve speeds up to the half the maximum preprogrammed speed for the scooter.

### Speed Adjustment Buttons

These adjustment buttons enable you to pre-select and limit your scooter's speed. This is indicated by the maximum speed indicator on the LCD screen. **See figure 4.**

- Press the image of the **tortoise** to decrease the speed of the scooter.
- Press the image of the **hare** to increase the speed of the scooter.

*NOTE: The more bars shown on the maximum speed indicator, the faster your pre-selected maximum speed will be. See figure 4.*

### Throttle Control Levers

These levers allow you to control the forward speed and the reverse speed of your scooter up to the maximum speed you preset with the speed adjustment buttons. A throttle control lever is located on the underside of the left and right side of the tiller handle. **See Figure 3.**

#### To Move Forward:

- Squeeze the rear part of the throttle control lever.

#### To Move Rearward:

- Squeeze the front part of the throttle control lever.

Release the throttle control lever and allow your scooter to come to a complete stop before engaging the other side of the lever. When the throttle control lever is completely released, it automatically returns to the center “stop” position and engages your scooter's brakes.

## II. YOUR SCOOTER

### LCD SCREEN AND CONTROL PANEL SETTINGS

The LCD control panel offers easily intuited feedback information via the LCD screen. See figure 4. The LCD screen is also used during the set-up (activation) of the various control panel settings. See chart 1.

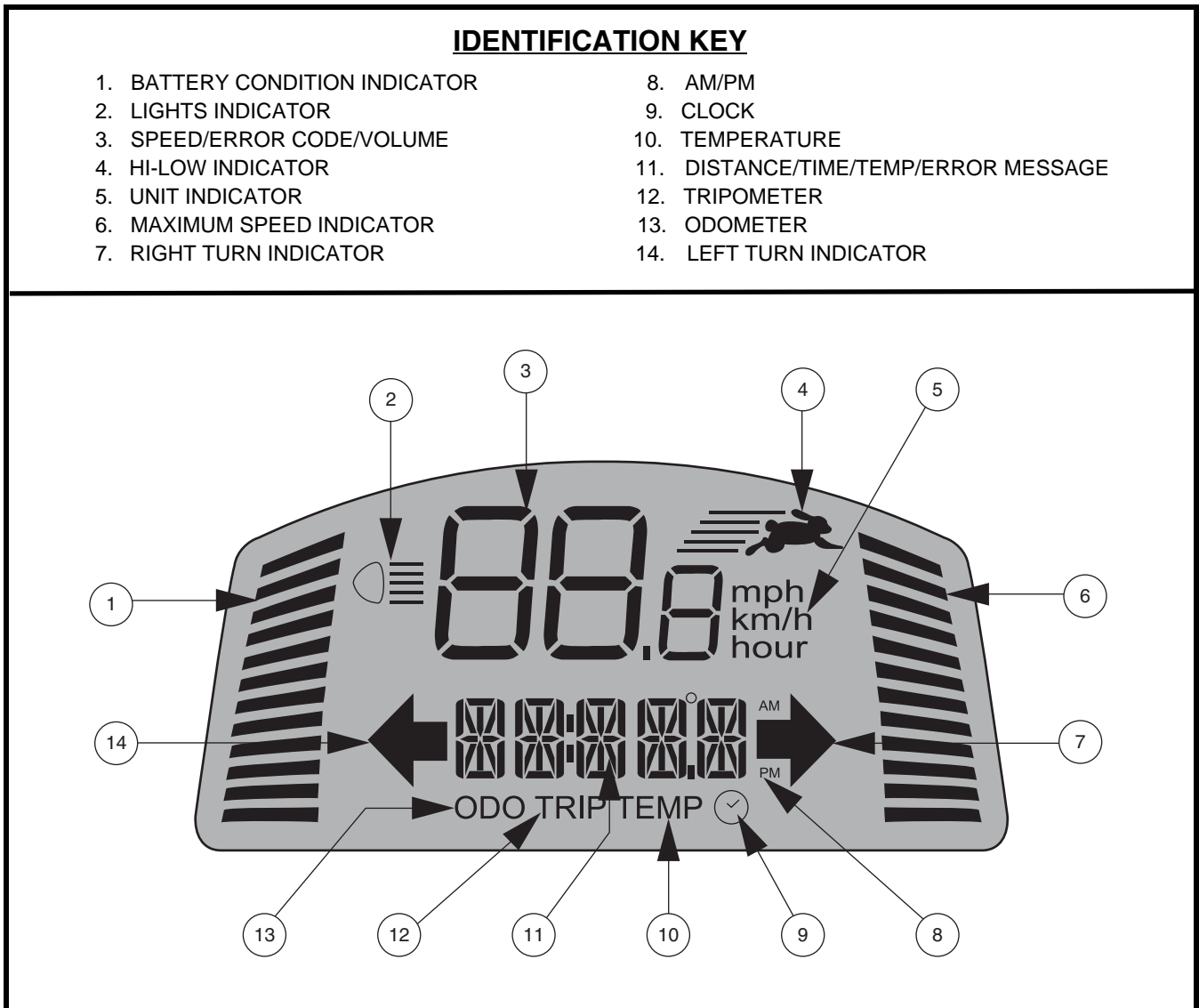




Figure 4. LCD Screen

## II. YOUR SCOOTER

SETTING INFORMATION CHART		
SETTING	CODE	INFORMATION
Odometer	<b>ODO</b>	Measures mph, km/h, and hours of use. Also displays total distance traveled over life of scooter. (Cannot be reset)
Tripometer	<b>TRIP</b>	Displays trip distance traveled. Can be reset to “0”
Temperature	<b>TEMP</b>	Displays current temperature in °F or °C
Clock		Displays time in 12-hour (AM/PM) or 24-hour

**Chart 1. LCD Control Panel Information**

Press **MODE** until the setting you want to change appears on the LED screen. Press and hold **SET** then follow the steps corresponding to your setting in **chart 2**.

	ODO	TRIP	TEMP	
<b>OPERATION</b>	Press the <b>MODE</b> button until <b>ODO</b> option appears.	Press the <b>MODE</b> button until <b>TRIP</b> option appears	Press the <b>MODE</b> button until <b>TEMP</b> option appears	Press and hold <b>MODE</b> button until the clock symbol appears on screen.
<b>SELECTION</b>	Press and hold <b>SET</b> , then simultaneously press the <b>MODE</b> button until the setting option flashes. Scroll through the options by pressing the <b>SET</b> button.	Press and hold <b>SET</b> , then simultaneously press the <b>MODE</b> button for 2 seconds and release. Press and hold <b>SET</b> until Tripometer resets to 0.0.	Press and hold <b>SET</b> , then simultaneously press the <b>MODE</b> button until the setting option flashes. Scroll through the options (°F or °C) by pressing <b>SET</b> button.	Press and hold <b>SET</b> , then simultaneously press the <b>MODE</b> button until the hour digit flashes. Use the <b>SET</b> button to increase the hour to the correct number. Continue to use the <b>MODE</b> and <b>SET</b> buttons to program the minutes and AM/PM setting.
<b>EXIT</b>	When desired option flashes, press any button except <b>SET</b> to exit.	Press any button except <b>SET</b> to exit.	When your choice is flashing, press any button except <b>SET</b> to exit.	Press any button except <b>MODE</b> or <b>SET</b> to exit.

**Chart 2. LCD Control Panel Information**

### Battery Charging Mode

During battery charging, the console will display the clock and the battery condition indicator.

### Battery Condition Indicator

When the key is turned to the “on” position, this LED indicator gives an approximate reading of battery strength. When the scooter’s battery voltage reaches a low enough level, a warning *beep* will sound once, indicating the batteries need charging. The warning beep will not sound again until the scooter is restarted or the throttle control lever is pressed.

## II. YOUR SCOOTER

### Maximum Speed Indicator LED

The maximum speed indicator displays the maximum speed selected with the speed adjustment buttons. The more bars that are lit, the faster the speed. The maximum scooter speed will be determined by the HIGH-LOW setting, which limits the maximum speed to half when set to LOW. The actual travel speed will be shown in the speed display on the LCD screen.

### Volume Control

The volume of the hazard lights, horn, low voltage, turn signals, and error message *beeps* can be increased, decreased, or turned off separately. See **figure 5**.

#### To set the volume:

1. Ensure the key is in the “off” position.
2. Press the appropriate two buttons simultaneously (see **chart 3**), and turn the key to the “on” position.
3. Once the volume control screen appears, release the buttons.
4. Press the hare button to increase the volume and the tortoise button to decrease the volume of the *beep* (0 indicates off and 4 indicates the loudest volume).
5. To exit, press any button except the **hare** or **tortoise**.

**NOTE:** The error message language option is set the same way as the volume.

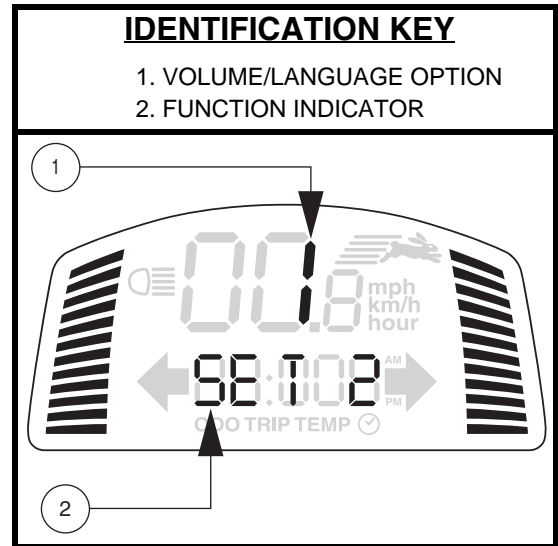


Figure 5. Volume Control Display

FUNCTION	BUTTONS	FUNCTION INDICATOR
Hazard Lights	SET + HAZARD LIGHTS	SET 1
Horn	SET + HORN	SET 2
Low Voltage	SET + LEFT TURN INDICATOR	SET 3
Turn Signals	SET + RIGHT TURN INDICATOR	SET 4
Error Message Language Option	SET + LIGHTS	SET 5 6 - Spanish 5 - Italian 4 - French 3 - German 2 - Dutch 1 - English 0 - Close

Chart 3. Volume Control Information

## II. YOUR SCOOTER

### LOWER TILLER (available on models 614 and 714 only)

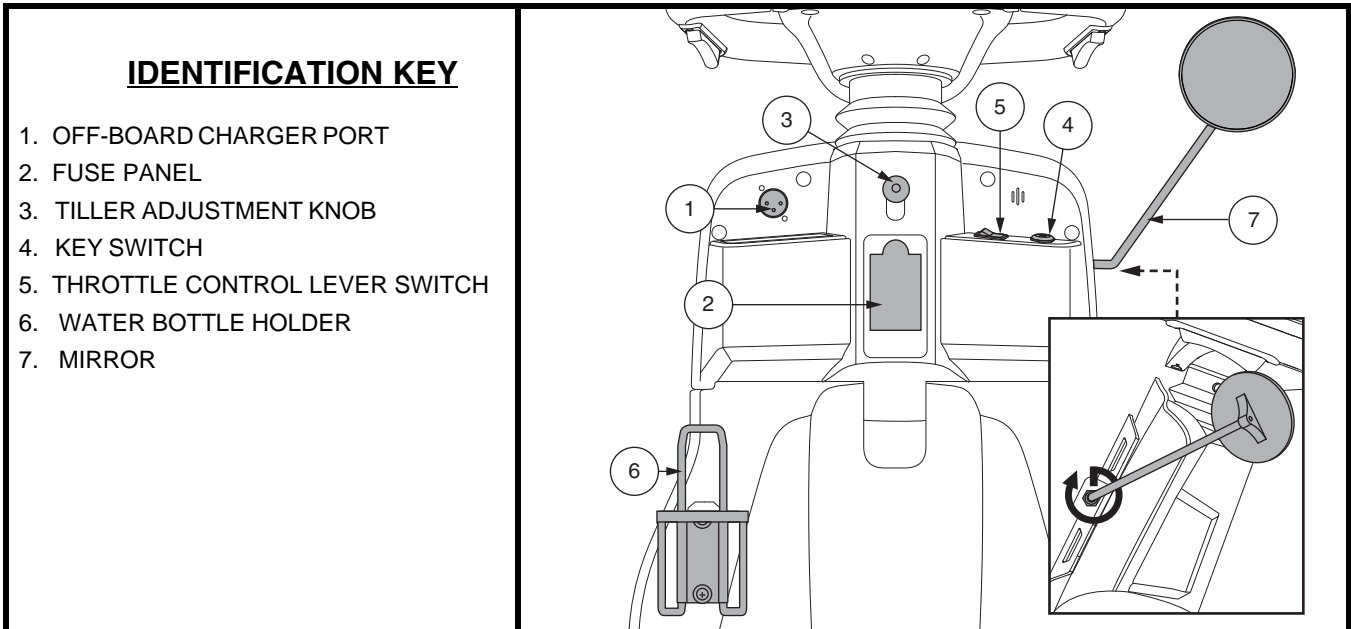


Figure 6. Lower Tiller Components

#### Off-board Charger Port

The off-board charger power cord plugs into this port during battery charging. The off-board charger port will be located on the tiller. See figure 6.

#### Electrical System Fuses

For information and a complete description of the fuse system, see figure 2.

#### Tiller Adjustment Lever or Tiller Adjustment Knob

See V. “Comfort Adjustments”.

#### Key Switch

- Insert the key into the key switch and turn it clockwise to power up (turn on) your scooter. See figure 6.
- Turn the key counterclockwise to power down (turn off) your scooter.



**WARNING! If the key is turned to the “off” position while your scooter is in motion, the electronic brakes will engage and your scooter will come to an abrupt stop!**

#### Throttle Control Lever Switch

This switch dictates which throttle control lever (left or right) will function. See figure 6.

- Toggle the switch to the left to activate the left throttle control lever.
- Toggle the switch to the right to activate the right throttle control lever.

**NOTE: Only one throttle control lever will function at a time.**

#### Water Bottle Holder

The water bottle holder is intended to hold a standard size, plastic water bottle. The holder can be attached to either side of the scooter using the supplied hardware.

## II. YOUR SCOOTER

### REAR COMPONENTS

The manual freewheel lever, anti-tip wheels (if equipped), motor/transaxle assembly, and optional safety flag brackets are located on your scooter as shown. See **figure 7**. The main circuit breaker (reset button) and batteries (not shown) are also located on the rear component section of your scooter.



**WARNING! Before placing your scooter into or taking it out of freewheel mode, remove the key from the key switch. Never sit on a scooter when it is in freewheel mode. Never put a scooter in freewheel mode on any incline.**

#### IDENTIFICATION KEY

1. MANUAL FREEWHEEL LEVER
2. MOTOR/TRANSAXLE ASSEMBLY
3. ANTI-TIP WHEELS (if equipped)
4. SAFETY FLAG BRACKETS

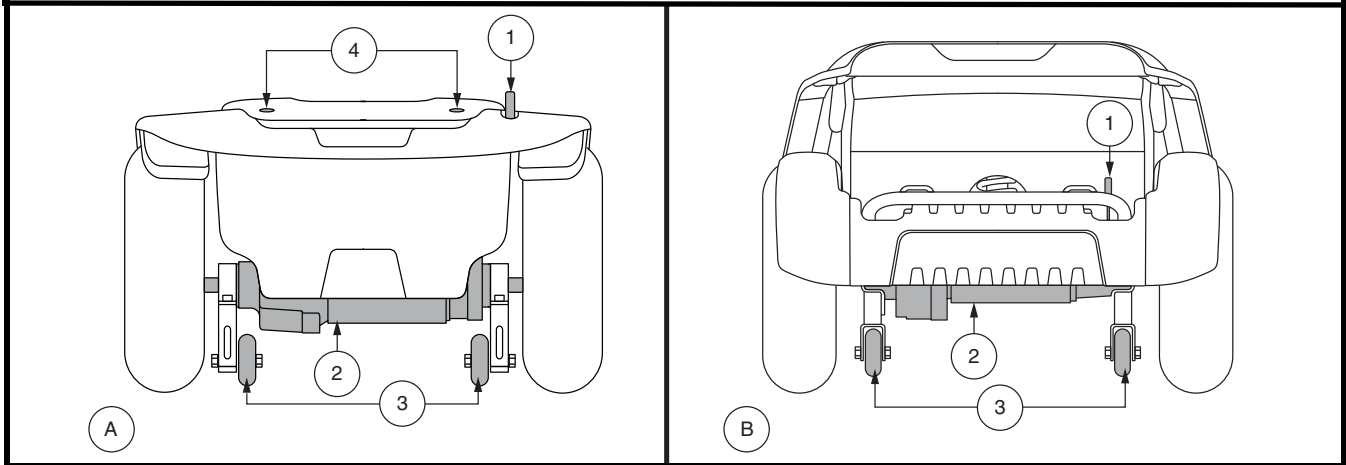


Figure 7. Rear Components

### Manual Freewheel Lever

Whenever you need or want to push your scooter for short distances, you can put it in freewheel mode.

1. Remove the key from the key switch.
2. Push forward on the manual freewheel lever to disable the drive system and the brake system. This will enable you to push the scooter.
3. Pull back on the manual freewheel lever to reengage the drive and the brake systems and take your scooter out of freewheel mode.



**WARNING! When your scooter is in freewheel mode, the braking system is disengaged.**

- **Disengage the drive motors only on a level surface.**
- **Ensure the key is removed from the key switch.**
- **Stand to the side of the scooter to engage or disengage freewheel mode. Never sit on a scooter to do this.**
- **After you have finished pushing your scooter, always return it to the drive mode to lock the brakes.**

**NOTE:** *If the scooter is placed in freewheel mode (manual freewheel lever forward) while the key is in the “on” position, the scooter will not run until the manual freewheel lever is pushed backward and the key is turned to the “off” position, then back to the “on” position.*

### Motor/Transaxle Assembly

The motor/transaxle assembly is an electromechanical unit that converts electrical energy from your scooter’s batteries into the controlled mechanical energy that drives the scooter’s wheels.



## II. YOUR SCOOTER

### Anti-Tip Wheels (If equipped)

The anti-tip wheels are an integral and important safety feature of your scooter. They are bolted to the frame at the rear of the scooter.



**PROHIBITED!** Do not remove the anti-tip wheels or modify your scooter in any way that is not authorized by your Provider.



**WARNING!** The anti-tip wheels may cause interference with the smooth transition of your scooter when ascending or descending a curb. Contact your authorized Provider for more information.

### Batteries

The batteries store electrical energy that powers your scooter. See III. “Batteries and Charging” for information on how to charge your scooter batteries.

### Safety Flag Bracket (Optional — Models 613/713)

Accessory brackets for installing an optional safety flag are mounted at the rear of the scooter. See figure 7.

#### To install the safety flag:

1. Remove the cap from the top of the bracket.
2. Insert the flag pole into the opening.

### Main Circuit Breaker

When the voltage in the batteries becomes low or your scooter is heavily strained because of excessive loads, the main circuit breaker may trip to protect the motor and electronics from damage. When the breaker trips, the entire electrical system shuts down. See figure 8.

- Three types:
  1. **Reset lever** flips down when the breaker trips.
  2. **Reset button** pops out when the breaker trips.
  3. **Automatic reset type** will reset itself after approximately a minute or so.
- Allow a minute or so for the electronics to “rest.”
- Push the reset lever up until you hear a click, or push in the reset button to reset the breaker.
- If the breaker trips frequently, you may need to charge the batteries more often or have your authorized Provider perform a load test on the batteries.
- If the main circuit breaker trips repeatedly, see your authorized Provider for service.

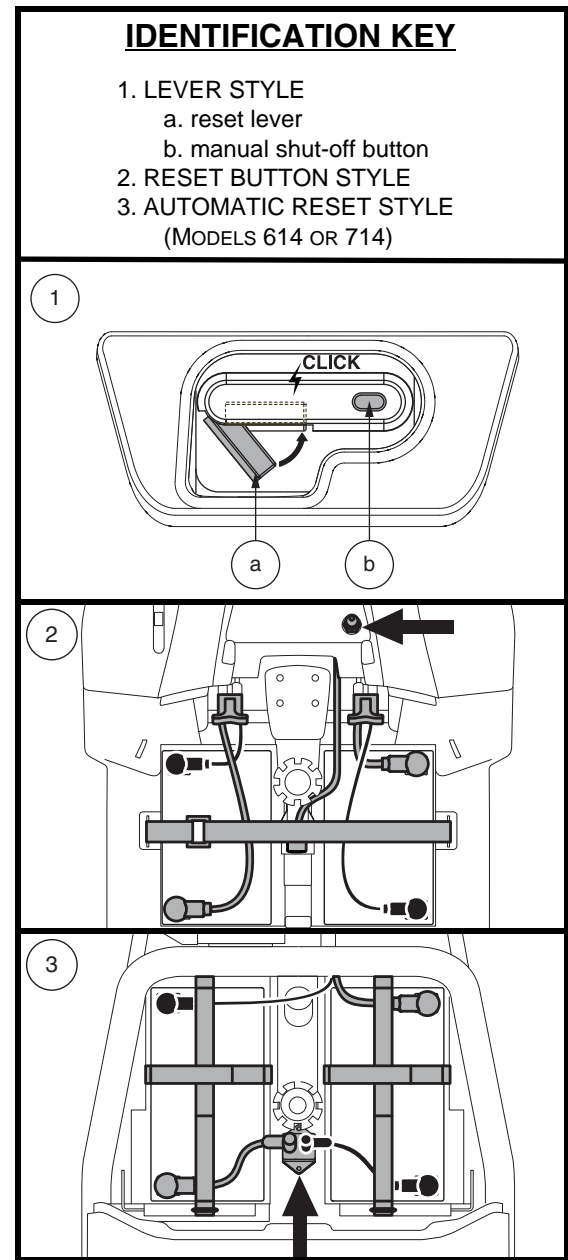


Figure 8. Main Circuit Breaker

# II. YOUR SCOOTER

**NOTICE:** *If you are preparing the scooter for transport or service, or if there is a situation that requires you to manually shut down the electrical system, press the manual shut-off button on the circuit breaker. This will cut all power to the scooter.*

**SECUREMENT POINTS**

Always secure the scooter in a forward-facing position in the vehicle. Attach the four tie-down straps to the designated securement points. **See figures 9 and 10.** Tighten the straps to sufficiently remove all slack. Never attach tie-downs to adjustable, moving, or removable parts of the scooter such as armrests, shrouds, and wheels. These items should be removed. Position the anchor points for the rear tie-down straps directly behind the rear securement points on the scooter. The front tie-down straps should anchor to floor points that are spaced wider than the scooter to provide increased lateral stability.



**WARNING!** Ensure scooters are properly secured to the motor vehicle during transport. Scooters that are not properly secured can become a hazard to the user and to other vehicle passengers in the event of a crash, sudden stopping, or swerving, as the scooter could tip or slide out of place.

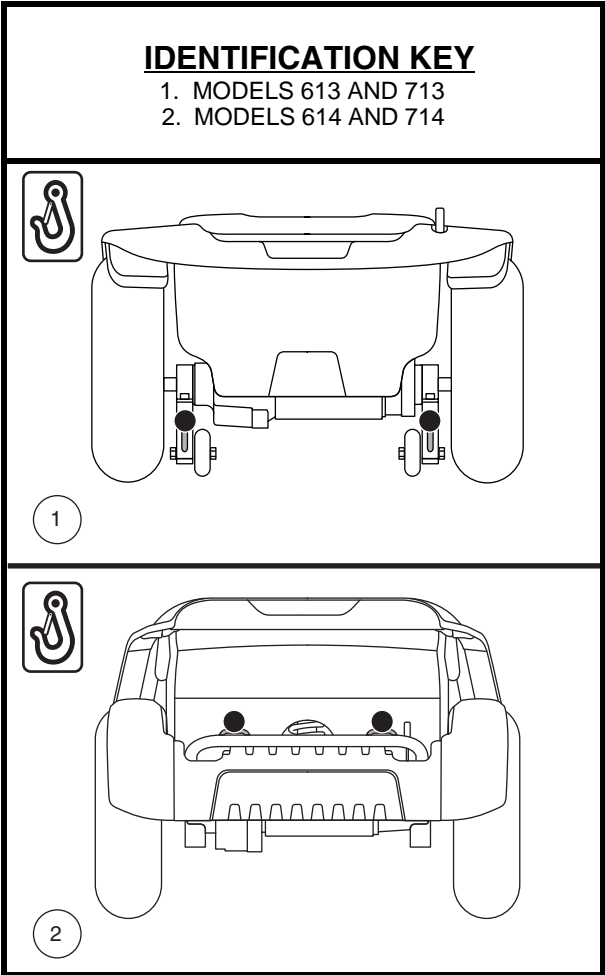


Figure 9. Rear Securement Points (Identified with black dots)

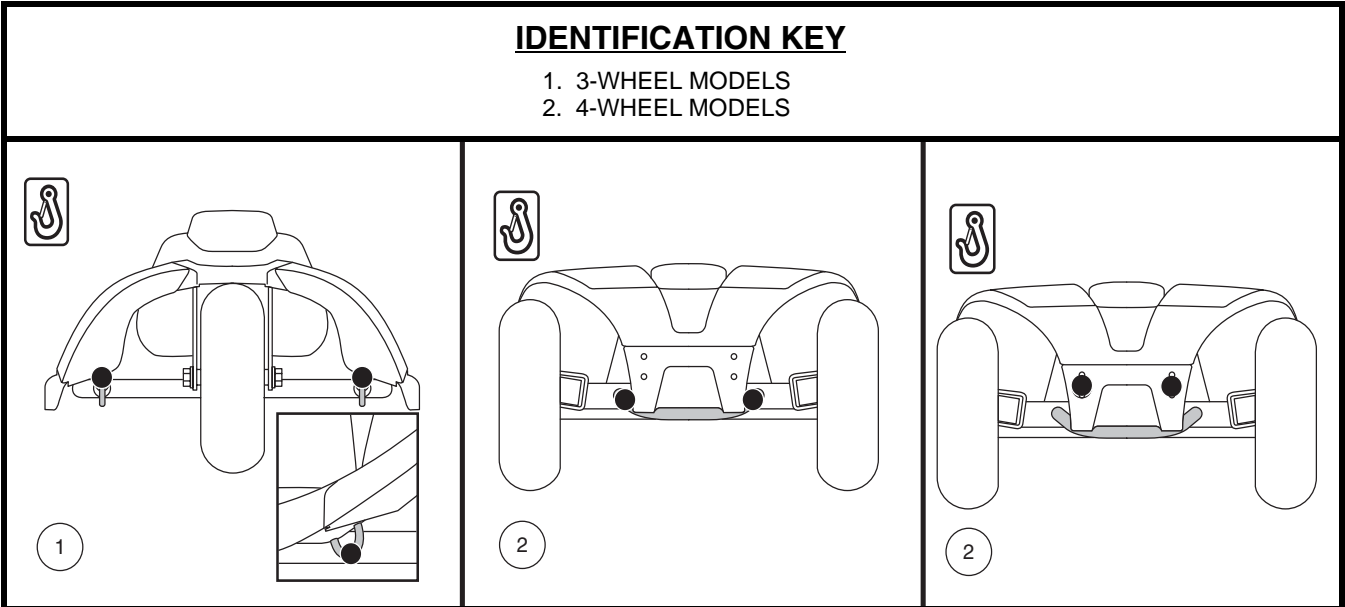


Figure 10. Front Securement Points (Identified with black dots)

# III. BATTERIES AND CHARGING

## BATTERIES AND CHARGING

Your scooter requires two long-lasting, 12-volt, deep-cycle batteries that are sealed and maintenance free. They are recharged by an off-board charging system.

- Charge your scooter's batteries for at least 8 to 14 hours prior to using it for the first time.
- Keep the batteries fully charged to keep your scooter running smoothly.

## READING YOUR BATTERY VOLTAGE

The battery condition meter on the tiller console indicates the approximate strength of your batteries using a color code. From right to left, green indicates fully charged batteries, yellow indicates a draining charge, and red indicates that an immediate recharge is necessary. See figure 11. To ensure the highest accuracy, the battery condition meter should be checked while operating your scooter at full speed on a dry, level surface. For models with the LCD screen, please refer to the "Battery Condition Indicator" section on page 13.

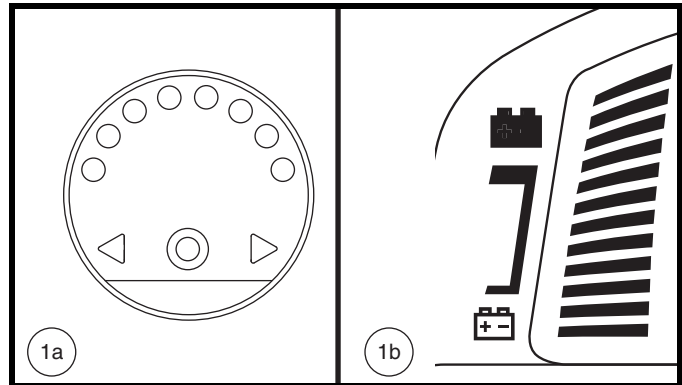


Figure 11. Battery Condition Meter

## CHARGING YOUR BATTERIES



**PROHIBITED!** Removal of grounding prong can create electrical hazard. If necessary, properly install an approved 3-pronged adapter to an electrical outlet having 2-pronged plug access.



**PROHIBITED!** Never use an extension cord to plug in your battery charger. Plug the charger directly into a properly wired standard electrical outlet.



**PROHIBITED!** Do not allow unsupervised children to play near the scooter while the batteries are charging. We recommend that you do not charge the batteries while the scooter is occupied.



**MANDATORY!** Read the battery charging instructions in this manual and in the manual supplied with the battery charger before charging the batteries.



**WARNING!** Explosive gases may be generated while charging the batteries. Keep the scooter and battery charger away from sources of ignition such as flames or sparks and provide adequate ventilation when charging the batteries.

**WARNING!** You must recharge your scooter's batteries with the supplied off-board charger. Do not use an automotive-type battery charger.

**WARNING!** Inspect the battery charger, wiring, and connectors for damage before each use. Contact your authorized Provider if damage is found.



**WARNING!** Do not attempt to open the battery charger case. If the battery charger does not appear to be working correctly, contact your authorized Provider.

**WARNING!** If the battery charger is equipped with cooling slots, then do not attempt to insert objects through these slots.

**WARNING!** Be aware that the battery charger case may become hot during charging. Avoid skin contact and do not place on surfaces that may be affected by heat.



**WARNING!** If your battery charger has not been tested and approved for outdoor use, then do not expose it to adverse or extreme weather conditions. If the battery charger is exposed to adverse or extreme weather conditions, then it must be allowed to adjust to the difference in environmental conditions before use indoors. Refer to the manual supplied with the battery charger for more information.

# III. BATTERIES AND CHARGING

Follow these easy steps to charge the batteries:

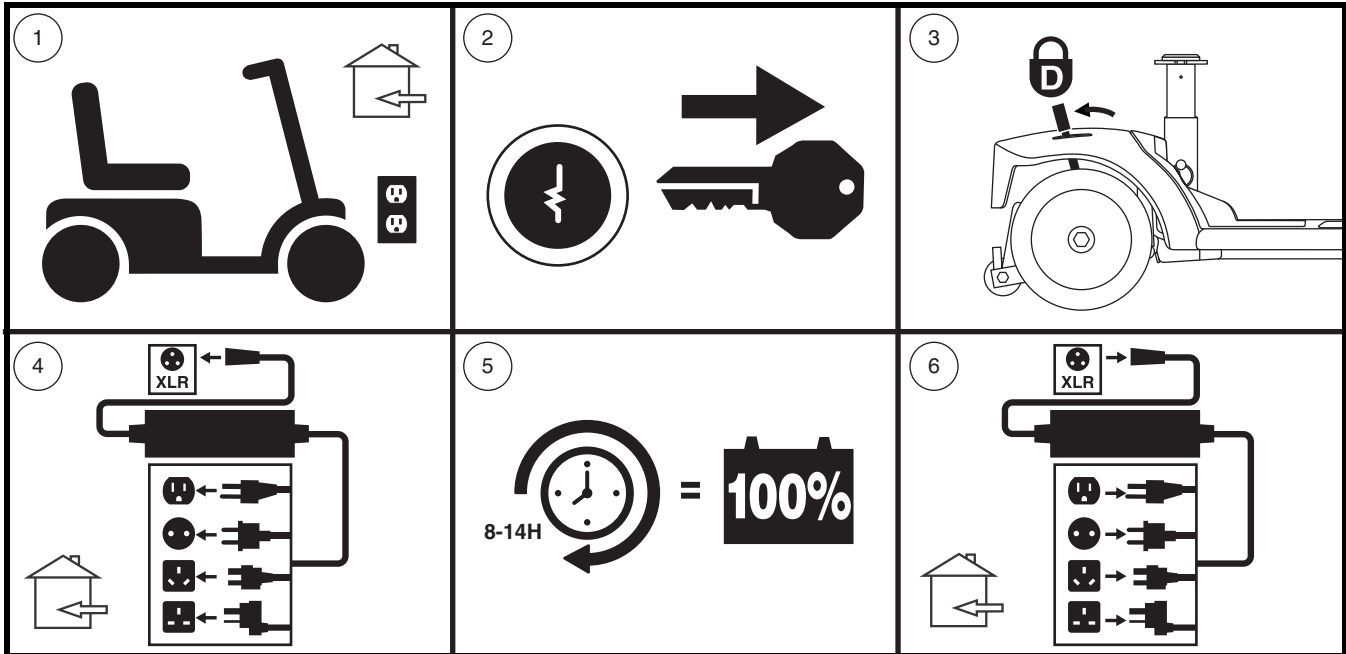


Figure 12. Battery Charging Procedures Diagram



**WARNING!** The LED lights on the charger indicate different charger conditions at various times. If the LED does not indicate that charging is complete within 24 hours, unplug the charger from the outlet and contact your Provider. Refer to the operating instructions supplied with the charger for a complete explanation of these indicators.

**NOTE:** There is a charger inhibit function on your scooter. The scooter will not run and the battery condition meter will not operate while the batteries are charging.

## FREQUENTLY ASKED QUESTIONS

### How does the charger work?

When your scooter's battery voltage is low, the charger works harder, sending more electrical current to the batteries to bring up their charge. As the batteries approach a full charge, the charger sends less and less electrical current. When the batteries are fully charged, the current sent from the charger is at nearly zero amperage. Therefore, when the charger is plugged in, it maintains the charge on your scooter's batteries, but does not overcharge them. Refer to the manual supplied with the battery charger for charging instructions.

### Can I use a different charger?

Chargers are selected precisely for particular applications and are especially matched to the type, size and chemical formulation of specific batteries. For the safest and most efficient charging of your scooter's batteries we recommend only use of the charger supplied as original equipment with your product. Any charging method resulting in batteries being charged individually is especially prohibited.

### What if my scooter's batteries won't charge?

- Ensure the red (+) and black (-) battery cables are connected properly to the battery terminals.
- Ensure both ends of the charger power cord are inserted fully.

# III. BATTERIES AND CHARGING

## **How often must I charge the batteries?**

Two major factors must be considered when deciding how often to charge your scooter's batteries:

- All day scooter use on a daily basis.
- Infrequent or sporadic scooter use.

With these considerations in mind, you can determine how often and for how long you should charge your scooter's batteries. The battery charger was designed so that it will not overcharge your scooter's batteries. However, you may encounter some problems if you do not charge your batteries often enough and if you do not charge them on a regular basis. Following the guidelines below will provide safe and reliable battery operation and charging.

- If you use your scooter daily, charge its batteries as soon as you finish using it for the day. Your scooter will be ready each morning. We recommend that you charge your scooter's batteries for at least 8 to 14 hours after daily use. We recommend that you charge the batteries for an additional 4 hours after the battery charger indicates that charging is complete.
- If you use your scooter once a week or less, charge its batteries at least once a week for at least 24 hours.

***NOTE: Keep your batteries fully charged and avoid deeply discharging your batteries. Refer to the manual supplied with the battery charger for charging instructions. We recommend charging your batteries for at least 48 continuous hours once per month to improve battery performance and battery life.***

## **How can I ensure maximum battery life?**

Fully charged deep-cycle batteries provide reliable performance and extended battery life. Keep your scooter's batteries fully charged whenever possible. Protect your scooter and batteries from extreme heat or cold. Batteries that are regularly and deeply discharged, infrequently charged, stored in extreme temperatures, or stored without a full charge may be permanently damaged, causing unreliable performance and limited service life.

***NOTE: To extend battery life, always turn off scooter and remove the key when not in use.***

## **How can I get maximum range or distance per charge?**

Rarely will you have ideal driving conditions—smooth, flat, hard driving surfaces with no wind or curves. Often, you will face hills, pavement cracks, uneven and loosely packed surfaces, curves, and wind, all of which affect the distance or running time per battery charge. Below are a few suggestions for obtaining the maximum range per battery charge.

- Always fully charge your scooter's batteries prior to daily use.
- Maintain but do not exceed the psi/bar/kPa air pressure rating indicated on each tire.
- Plan your route ahead to avoid as many hills, cracked, broken, or soft surfaces as possible.
- Limit your baggage weight to essential items.
- Try to maintain an even speed while your scooter is in motion.
- Avoid stop-and-go driving.
- We recommend charging your batteries for at least 48 continuous hours once per month to improve battery performance and battery life.
- Make sure all harness connections are secured properly.

# III. BATTERIES AND CHARGING

## What type and size of battery should I use?

We recommend deep-cycle batteries that are sealed and maintenance free. Both AGM and Gel-Cell are deep-cycle batteries that are similar in performance. Do not use wet-cell batteries, which have removable caps.



**WARNING! Corrosive chemicals are contained in batteries. Use only AGM or Gel-Cell batteries to reduce the risk of leakage or explosive conditions.**

**NOTE:** Sealed batteries are not serviceable. Do not remove the caps.

## Why do my new batteries seem weak?

Deep-cycle batteries employ a different chemical technology than that used in car batteries, nickel-cadmium batteries (nicads), and other common battery types. Deep-cycle batteries are specifically designed to provide power, drain down their charge, and then accept a relatively quick recharge.

We work closely with our battery manufacturer to provide batteries that best suit your scooter's specific electrical demands. Fresh batteries are shipped fully charged to our customers. During shipping, the batteries may encounter temperature extremes that can influence their initial performance. Heat diminishes the charge on the battery; cold slows the available power and extends the time needed to recharge the battery.

It may take a few days for the temperature of your scooter's batteries to stabilize and adjust to their new room or ambient temperature. More importantly, it takes a few charging cycles (partial draining followed by full recharging) to establish the critical chemical balance that is essential to a deep-cycle battery's peak performance and long life.

## Follow these steps to properly break in your scooter's new batteries for maximum efficiency and service life:

1. Fully recharge any new battery prior to its initial use. This charging cycle brings the battery up to about 88% of its peak performance level.
2. Operate your new scooter in familiar and safe areas. Drive slowly at first, and do not travel too far from your home or familiar surroundings until you have become accustomed to your scooter's controls and have properly broken in your scooter's batteries.
3. Fully recharge the batteries. They should be at over 90% of their peak performance level.
4. Operate your scooter again, then fully recharge the batteries again.
5. After four or five charging cycles, the batteries are able to receive a charge of 100% of their peak performance level and are able to last for an extended period of time.

## What about public transportation?

If you intend to use public transportation with your scooter, you must contact the transportation provider in advance to determine their specific requirements.

# III. BATTERIES AND CHARGING

How do I change a battery in my scooter?



**MANDATORY!** Battery posts, terminals, and related accessories contain lead and lead compounds. Wear goggles and gloves when handling batteries and wash hands after handling.



**PROHIBITED!** Always use two batteries of the exact same type, chemistry, and amp-hour (Ah) capacity. Refer to the specifications table in this manual and in the manual supplied with the battery charger for recommended type and capacities.

**WARNING!** Do not mix old and new batteries. Always replace both batteries at the same time.



**WARNING!** Contact your authorized Provider if you have any questions regarding the batteries in your scooter.

**WARNING!** Do not replace the batteries while the scooter is occupied.

**WARNING!** The batteries on your scooter should only be serviced or replaced by an authorized Provider or a qualified technician.



**PROHIBITED!** Keep tools and other metal objects away from battery terminals. Contact with tools can cause electrical shock.

You may need the following to change your batteries:

- Metric/standard socket set and ratchet
- Adjustable wrench



**WARNING!** Do not lift beyond your physical capability. Ask for assistance when necessary while disassembling or assembling your scooter.

To change batteries in your scooter:

1. Remove the seat and battery shroud. See figure 13.
  - a.) For models 614 and 714, remove the rear shroud by removing the two (2) thumbscrews that secure it to the scooter frame, and then lifting the shroud straight up and off of the scooter. See figure 13.
  - b.) For models 614 and 714, remove the battery shroud by removing the four (4) thumbscrews that secure it to the scooter frame, and then lifting the shroud straight up and off of the scooter. See figure 13.
2. Disconnect the battery tie-down strap(s).
3. For all models EXCEPT 614 and 714, disconnect the front-to-rear harness. Unplug both battery harnesses by pulling each harness out of its mating plug. See figure 14.



**WARNING!** Do not pull on electrical harness wires directly to detach them from the scooter. Always grasp the connector itself when disconnecting the harness to prevent wire damage.

**WARNING!** Failure to unplug both battery harnesses and front-to-rear harness prior to separating the front and rear sections could result in permanent damage to the scooter.

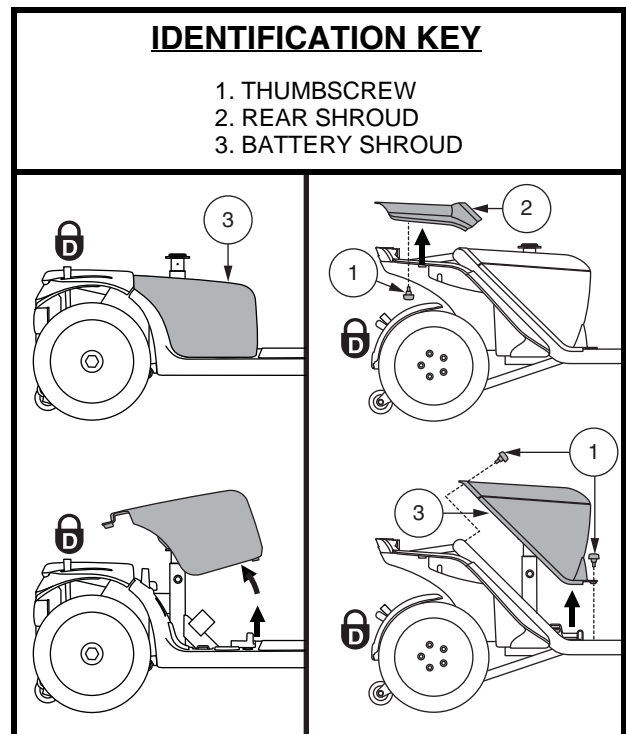


Figure 13. Battery Shroud Removal/Installation



# III. BATTERIES AND CHARGING

## IDENTIFICATION KEY

1. MAIN CIRCUIT BREAKER
  - 1a. Reset Button
  - 1b. Reset Lever
  - 1c. Auto Reset style

2. BATTERY TERMINALS UNDER BOOTS
3. BATTERY TIE-DOWN STRAP
4. BATTERY HARNESS CONNECTORS
5. FRONT-TO-REAR HARNESS CONNECTOR

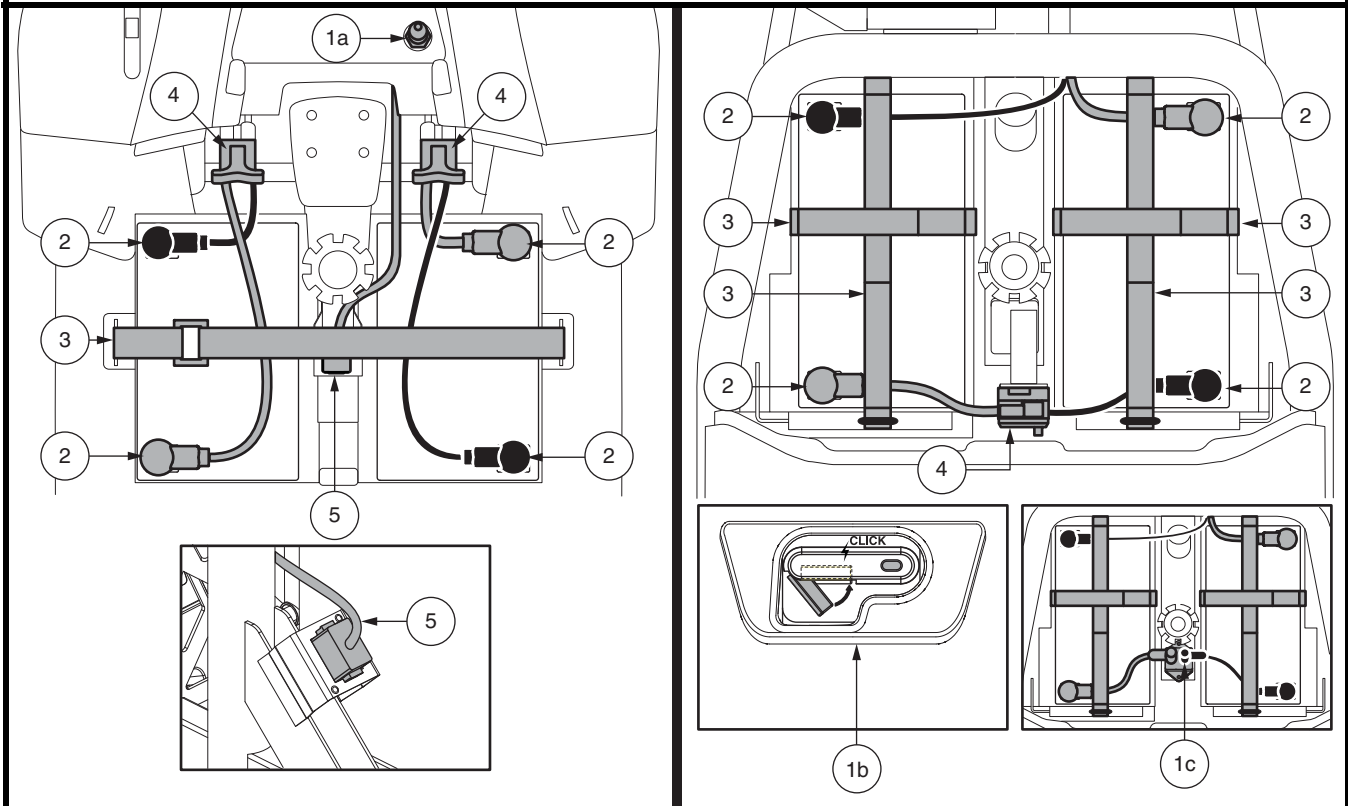


Figure 14. Battery Removal/Installation Terminals and Connections

4. Disconnect the battery cables from the battery terminals by sliding back the terminal boots and unscrewing the nut from the bolt. **See figure 15.**
5. Remove the old batteries from the battery wells.

**NOTE:** Some scooters have spacers installed to secure the batteries. You may want to remove the spacers for safe keeping until the batteries are replaced in the scooter. **See figure 16.**

6. Place a new battery in each battery well. Face the battery terminals of each battery away from the seat post with the positive (+) and negative (-) battery terminals positioned as shown in **figure 14.**

**NOTE:** Models 614 and 714 use battery straps to secure batteries in the battery wells. Please refer to figure 16 for battery strap installing procedures.

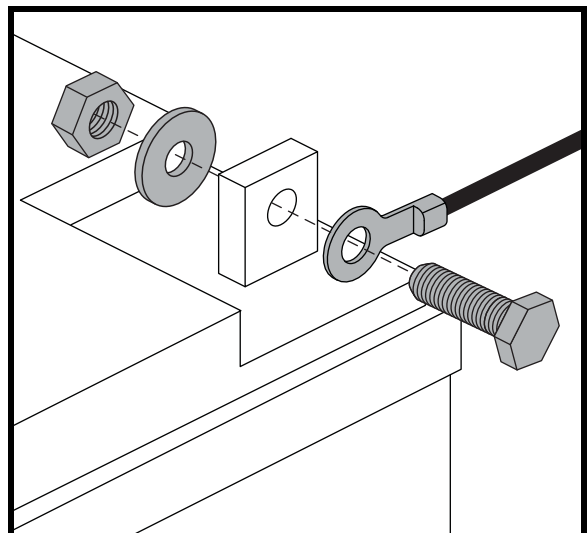


Figure 15. Battery Terminal Hardware



# III. BATTERIES AND CHARGING

7. Connect the red battery cable to the positive (+) battery terminal on each battery.
8. Connect the black battery cable to the negative (-) battery terminal on each battery.
9. Reposition the terminal boots over the battery terminals.
10. Reconnect the battery tie-down straps.
11. Reinstall the battery shroud, the rear shroud, and the seat.

**NOTE:** If you encounter a damaged or cracked battery, immediately enclose it in a plastic bag. Contact your local waste disposal agency or your authorized Provider for instructions on disposal and battery recycling, which is our recommended course of action.

## Battery Securement and Strap Routing

1. Secure the batteries in the battery wells by routing the provided battery straps through the battery well slots as shown.
2. Ensure the short strap runs over the top of the long strap.

**NOTE:** Before securing both straps, ensure the D-ring is positioned as shown here. The D-ring should be positioned within 1 inch (2.54 cm) of, but never touch, the battery well.

3. Any excess strapping should be placed facing the back, or next to the seat post, of the scooter.



**WARNING!** The battery straps should never be positioned under the battery.

## IDENTIFICATION KEY

- |                      |                    |
|----------------------|--------------------|
| 1. REUSABLE FASTENER | 5. FRONT SLOT      |
| 2. SHORT STRAP       | 6. SIDE SLOT       |
| 3. LONG STRAP        | 7. REAR SLOT       |
| 4. D-RING            | 8. BATTERY SPACERS |

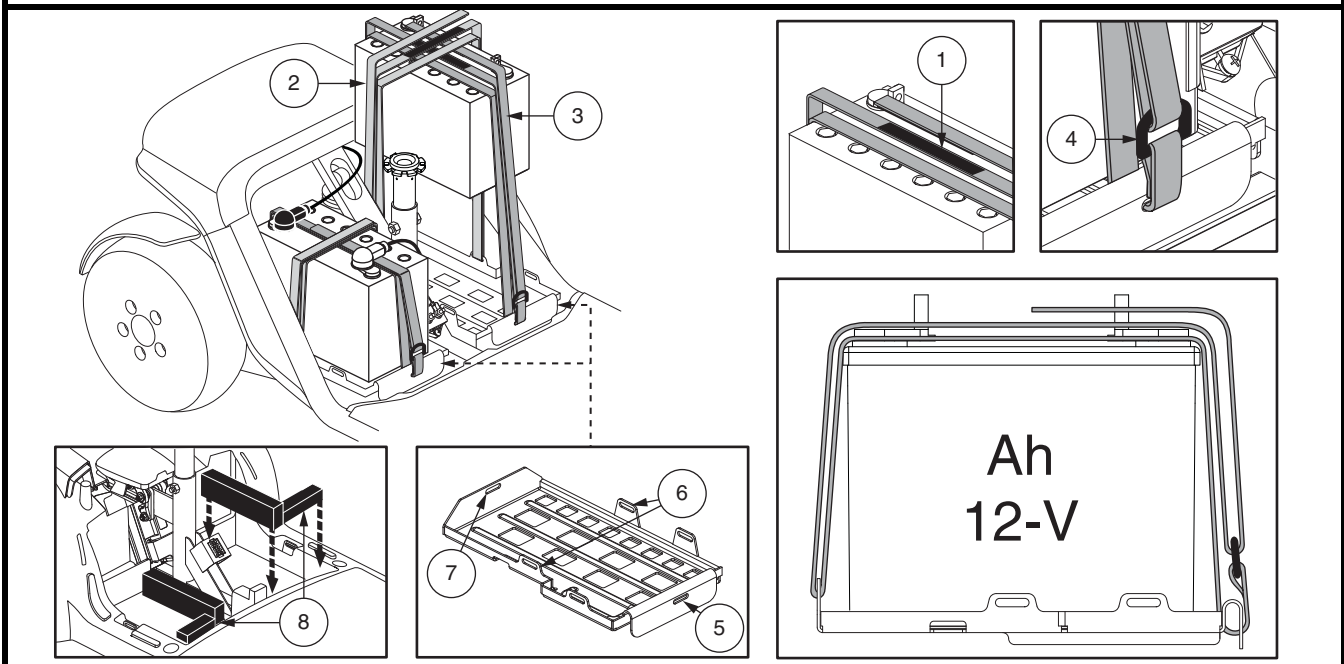


Figure 16. Battery Securement for Models 614 and 714

# IV. OPERATION

## BEFORE GETTING ONTO YOUR SCOOTER

- Have you fully charged the batteries? See III. “Batteries and Charging.”
- Is the manual freewheel lever in the drive (rearward) position? Never leave the manual freewheel lever pushed forward unless you are manually pushing your scooter.

## GETTING ONTO YOUR SCOOTER

1. Make certain that the key is removed from the key switch.



**WARNING! Never attempt to get onto or off of your scooter without first removing the key from the key switch. This will prevent the scooter from moving if accidental throttle control lever contact is made.**

2. Stand at the side of your scooter.
3. Disengage the seat rotation lever and rotate the seat until it is facing you.
4. Make certain that the seat is fixed securely in position.
5. Position yourself comfortably and securely in the seat.
6. Disengage the seat rotation lever and rotate the seat until you are facing forward.
7. Make certain that the seat is fixed securely in position.
8. Make certain that your feet are safely on the floorboard.

## PRE-RIDE ADJUSTMENTS AND CHECKS

- Is the seat at the proper height? See V. “Comfort Adjustments.”
- Is the seat fixed securely in position?
- Is the tiller at a comfortable setting and locked securely in place? See V. “Comfort Adjustments.”
- Is the key fully inserted into the key switch and turned clockwise to the “on” position?
- Does the horn work properly?
- Is your proposed path clear of people, pets, and obstacles?
- Have you planned your route to avoid adverse terrain and as many inclines as possible?

## OPERATING YOUR SCOOTER

**WARNING! The following can adversely affect steering and stability while operating your scooter, resulting in loss of control, tipping, and/or personal injury:**

- Holding onto or attaching a leash to walk your pet
- Carrying passengers (including pets)
- Hanging any article from the tiller
- Towing or being pushed by another motorized vehicle



**WARNING! Tipping Risk! Avoid abrupt maneuvers at excessive speed. It is recommended that you set the speed adjustment dial to the lowest setting until you become familiar with scooter controls and operation.**

**WARNING! Scooter braking distances are greater on an incline than on the horizontal.**

**WARNING! Keep both hands on the tiller and your feet on the floorboard at all times while operating your scooter. This driving position gives you the most control over your vehicle.**

- Set the speed adjustment dial to your desired speed.
- Push or pull the appropriate side of the throttle control lever.
- The electromechanical disc park brake automatically disengages and the scooter accelerates smoothly to the speed you preselected with the speed adjustment dial.

## IV. OPERATION

- Pull on the left handgrip to steer your scooter to the left.
- Pull on the right handgrip to steer your scooter to the right.
- Move the tiller to the center position to drive straight ahead.
- To stop, slowly release the throttle control lever. The electronic brakes will automatically engage, bringing your scooter to a stop.

**NOTE:** *Your scooter's reverse speed is slower than that of the forward speed you preset with the speed adjustment dial or on the LCD control panel.*

### GETTING OFF OF YOUR SCOOTER

1. Bring your scooter to a complete stop.
2. Power down your scooter and remove the key from the key switch.



**WARNING!** Never attempt to get onto or off of your scooter without first removing the key from the key switch. This will prevent the scooter from moving if accidental throttle control lever contact is made.

3. Disengage the seat rotation lever and rotate the seat until you are facing toward the side of your scooter.
4. Make certain that the seat is fixed securely in position.
5. Carefully and safely get out of the seat and stand to the side of your scooter.
6. You can leave the seat facing to the side to facilitate boarding your scooter next time.

### POWER DOWN TIMER FEATURE

Your scooter is equipped with an energy saving automatic power down timer feature designed to preserve your scooter's battery life. If you mistakenly leave the key in the key switch and in the "on" position but do not use your scooter for approximately 20 minutes, the scooter's controller shuts down automatically. Although the controller is shut down, power will still be supplied to the scooter's lighting system.

If the power down timer feature takes effect, perform the following steps to resume normal operation:

1. Remove the key from the key switch.
2. Reinsert the key and power up your scooter.

# V. COMFORT ADJUSTMENTS

## TILLER ANGLE ADJUSTMENT (See figure 1 or 6)

**WARNING!** Remove the key from the key switch before adjusting the tiller or the seat. Never attempt to adjust the tiller or the seat while the scooter is in motion.



**WARNING!** Prior to operating the scooter, push and pull on the tiller to ensure that the angle adjustment mechanism is secure. Inspect the tiller adjustment knob and the angle adjustment mechanism to ensure that they are fully engaged. If there is movement in the tiller, check to make sure that the tiller adjustment knob is fully tightened.



**WARNING!** Do not attempt to use the tiller adjustment lever as a handbrake.

**NOTE:** In order to fully lower the tiller for purposes of disassembly or transport, you must first completely remove the seat.

## MIRROR POSITION

**To install the mirror (see figure 1 or 6):**

1. Determine on which side to install the mirror and remove the rubber plug from the top of the tiller handle.
2. Insert the threaded end of the mirror holder into the opening and rotate it clockwise until snug.
3. If necessary, rotate the nut clockwise to secure the mirror in place.

**To adjust the mirror:**

1. Position yourself in a seated driving position facing forward.
2. Adjust the mirror left, right, up, or down until you have a good line of sight behind you.

## SEATBACK ADJUSTMENT

**WARNING!** Do not operate your scooter with the seatback in a reclined position.



**WARNING!** Always keep your back pressed firmly against the seatback while adjusting the angle.

To adjust your scooter's reclining seat, you can adjust the seatback angle with the seatback adjustment lever. See figure 17.

1. With your back pressed up against the seatback, lift up on the seatback adjustment lever and lean forward or rearward to adjust the seatback angle.
2. Release the seatback adjustment lever once the seat is in a comfortable riding position.

### IDENTIFICATION KEY

1. SEATBACK ADJUSTMENT LEVER
2. SEAT ROTATION LEVER
3. ARMREST ANGLE ADJUSTMENT DIAL
4. SEAT SLIDING LEVER
5. ACCESSORY BRACKET
6. DETENT PIN

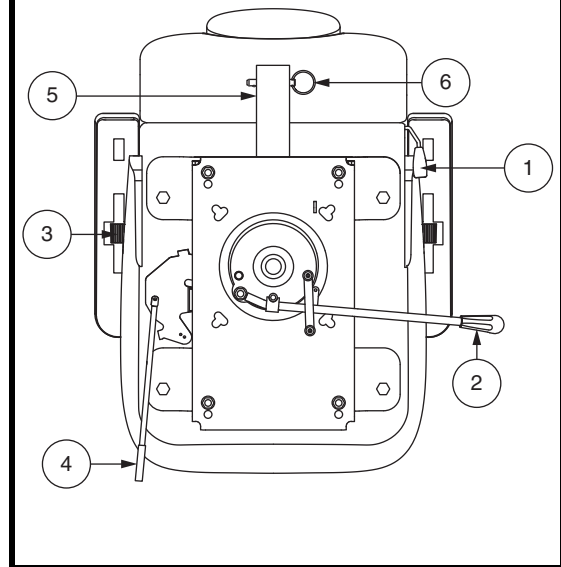


Figure 17. Seatback Adjustment

# V. COMFORT ADJUSTMENTS

## SEAT ROTATION ADJUSTMENT

The seat rotation lever will secure the seat into several positions.

1. Pull upward on the seat rotation lever to disengage the seat. **See figure 17.**
2. Rotate the seat to the desired position.
3. Release the lever to secure the seat into place.

## ARMREST ANGLE ADJUSTMENT

Armrest angle of your scooter can be adjusted upward or downward by turning the adjustment dial. **See figure 17.**

**NOTE:** *The armrests also pivot upward to make getting on and off of your scooter easier.*

## FRONT-TO-BACK SEAT ADJUSTMENT

You can reposition the seat forward or rearward to adjust the distance between the seat and the tiller.

1. Move the seat sliding lever located at the lower left side of the seat outward. **See figure 17.**
2. While holding the lever out, slide the seat forward or rearward.
3. Release the seat sliding lever once the seat is in the desired position.

## ACCESSORY BRACKET

The rear-mounted accessory bracket allows you to attach a personal accessory such as a basket, walker holder, or oxygen tank to the back of your scooter. Utilize the detent pin to securely mount your item to the accessory bracket. **See figure 17.** See your authorized Provider for details.

## SEAT HEIGHT ADJUSTMENT

The seat can be repositioned to several different heights. **See figure 18.**

1. Remove the seat and rear shrouds from your scooter.
2. Remove the seat height adjustment bolt.
3. Raise or lower the upper seat post to the desired seat height.
4. While holding the upper seat post at that height, align the adjustment holes of the upper and lower seat posts.
5. Insert the seat height adjustment bolt through the locating holes of both the upper and lower seat posts.
6. Reinstall the nut onto the seat height adjustment bolt and tighten.
7. Reinstall the rear shrouds and the seat.

### IDENTIFICATION KEY

1. UPPER SEAT POST
2. NUT
3. SEAT HEIGHT ADJUSTMENT BOLT
4. LOWER SEAT POST

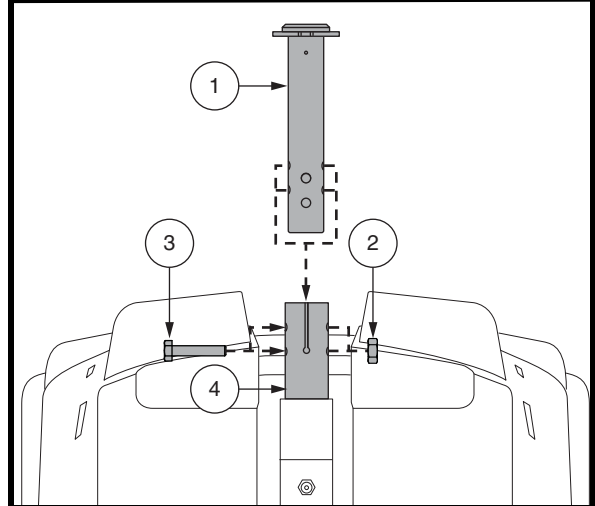


Figure 18. Seat Height Adjustment

### IDENTIFICATION KEY

1. BOOT
2. UPPER SEAT POST
3. COMFORT SPRING  
weight capacities: 0-220 lbs. (0-90.72 kg)  
220-400 lbs. (90.72-181.44 kg)
4. SPACER
5. SHOULDER BOLT (210 in • lb [24 N • m])
6. LOWER SEAT POST
7. WASHER
8. NUT

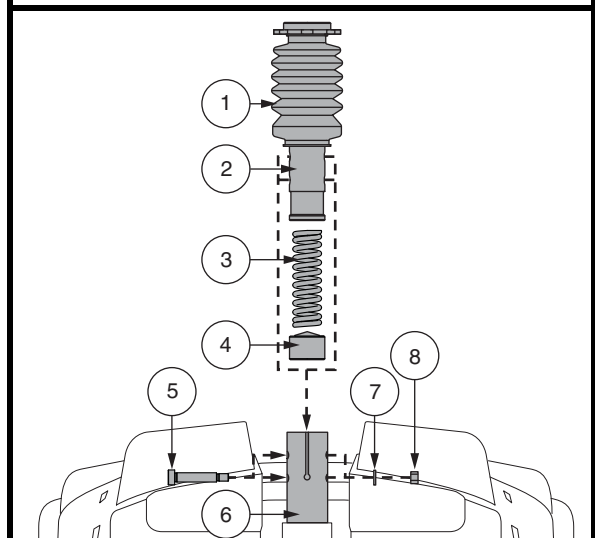


Figure 19. Seat Height Adjustment - Comfort Seat Post

# V. COMFORT ADJUSTMENTS

## SEAT HEIGHT ADJUSTMENT—COMFORT SEAT POST (IF EQUIPPED)

To reposition the seat to one of two different heights:

1. Remove the seat from your scooter. Pull upward and hold the seat rotation lever to disengage the seat, then rotate the seat and lift it off of the scooter.
2. Remove the rear shroud.
3. Push up the seat post boot to uncover the hardware.
4. Push down on the seat post while loosening and removing the shoulder bolt, washer, and nut. **See figure 19.**
5. Remove the comfort spring.
6. To raise the seat to the top most mounting hole, insert the height adjustment spacer. To lower the seat to the lowest mounting hole, remove the height adjustment spacer.
7. Reinstall the comfort spring.
8. Hold the upper seat post at the desired height and match up the locating holes in the lower seat post. Utilize the top holes for the upper position or the bottom holes for the lower position.

**NOTE:** When the seat post is mounted in the upper position, you must utilize two spacers.

9. Press down on the seat post while reinstalling the hardware and tightening to 210 in • lb (24 N • m).
10. Replace the rear shroud and the seat.

## SEAT SUSPENSION ADJUSTMENT (IF AVAILABLE)

You can loosen or stiffen the seat suspension based on which comfort spring you install.

To adjust the seat suspension:

1. Remove the seat from your scooter. Pull upward and hold the seat rotation lever to disengage the seat, then rotate the seat and lift it off of the scooter.
2. Remove the rear shroud.
3. Push up the seat post boot to uncover the hardware.
4. Push down on the seat post while loosening and removing the hex head bolt and nut.
5. Remove the current spring.
6. Install the desired spring. **See figure 19.**
7. Press down on the seat post while reinstalling the hardware and tightening to 210 in • lb (24 N • m).
8. Replace the rear shroud and the seat.

## POSITIONING BELT (OPTIONAL)

Your scooter seat may be equipped with an auto-type positioning belt that can be adjusted for operator comfort. The positioning belt is designed to help support the operator so that he or she does not slide down or forward in the seat. The positioning belt is not designed for use as a restraining device.



**WARNING! The positioning belt is not designed for use as a seat belt in a motor vehicle. Nor is your scooter suitable for use as a seat in any vehicle. Anyone traveling in a vehicle should be properly belted into seats approved by the vehicle manufacturer.**

**WARNING! The positioning belt should be secured at all times. Never allow the positioning belt to hang or drag on the floor as it may become entangled.**

# V. COMFORT ADJUSTMENTS

## To install the positioning belt (if required):

1. Remove the seat from your scooter.
2. Place the seat upside down so that you can see the bottom of the seat base. **See figure 20.**
3. Use a wrench to remove the two rear bolts that attach the seat frame to the seat base.
4. Insert the bolt through the appropriate ends of the positioning belt and then reinstall the bolts and belt back into the seat bottom.
5. Tighten the bolts.

## Metal tab style positioning belt

### To adjust the positioning belt for operator comfort:

1. Insert the metal tab on the right side of the belt into the plastic housing on the opposite strap until you hear a “click.” **See figure 21.**
2. Pull the strap on the right side of the belt until it is secure, but not so tight as to cause discomfort.

### To release the positioning belt:

1. Press the push button mechanism on the plastic housing.

## Reusable hook and loop fastener style positioning belt

### To adjust the positioning belt for operator comfort:

1. Align the two sides of the belt placing the looped-end side directly above the coarser side (“hook”) of the opposite belt. Press firmly together to fasten. **See figure 21.**

### To release the positioning belt:

1. Grasp the looped-end side of the belt and pull up to detach from the other side of the belt.

**MANDATORY!** Make sure the positioning belt is properly secured to the scooter and is adjusted for operator comfort before each use.



**MANDATORY!** Inspect the positioning belt for loose parts or damage, including tears, worn spots, bent hardware, or damaged latch mechanisms, dirt or debris, before each use of the scooter. If you discover a problem, contact your authorized Provider for maintenance and repair.

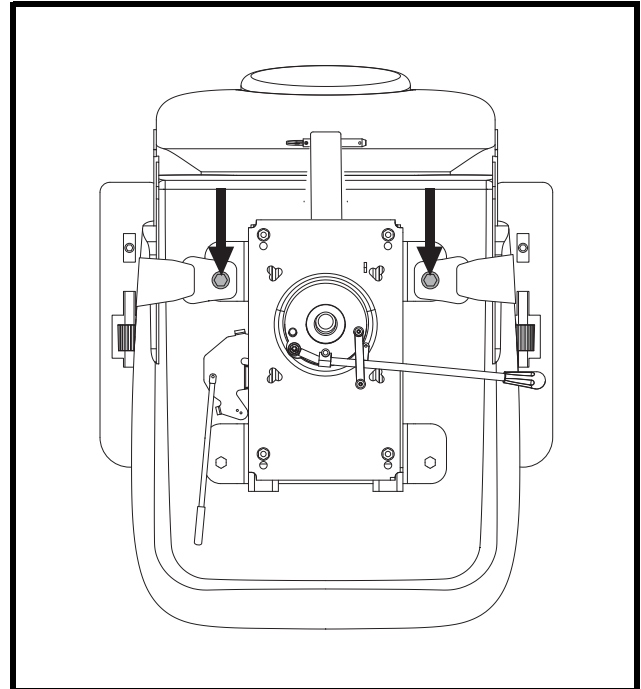


Figure 20. Positioning Belt Bolts

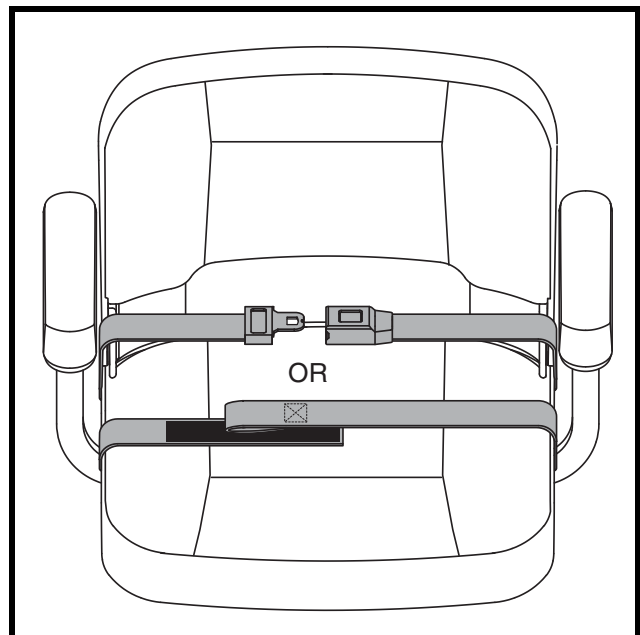


Figure 21. Positioning Belt - Metal Tab Style or Reusable Hook and Loop Fastener Style



## VI. DISASSEMBLY AND ASSEMBLY

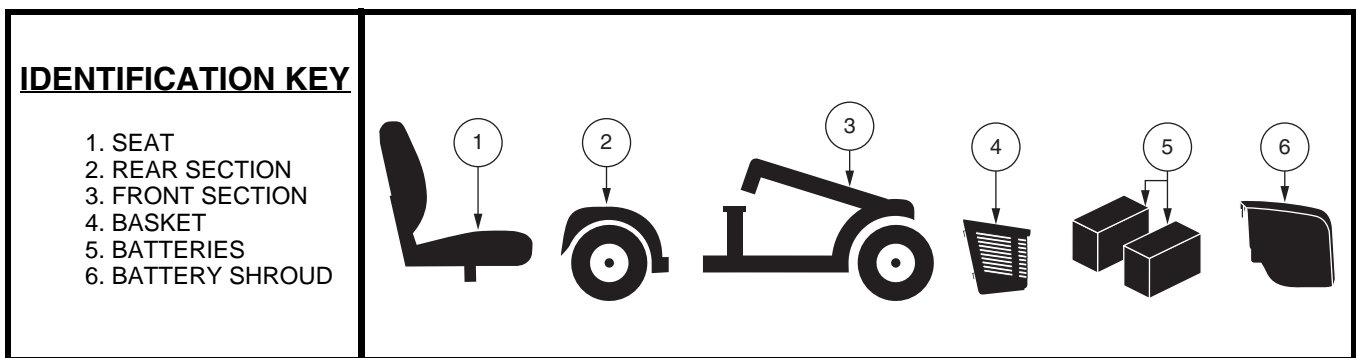
**NOTE:** Please check the Scooter Features Table on the inside of the front cover to determine if your scooter model can be disassembled for transporting or storage purposes.

### DISASSEMBLY

You can disassemble the scooter into several pieces: the seat, the rear section, the front section, the batteries, the basket, and the battery shroud. See **figure 22**. No tools are required to disassemble or assemble your scooter, but keep in mind that the disassembled sections of the scooter take up more floor space than the assembled unit. Always disassemble or assemble your scooter on a level, dry surface with sufficient room for you to work and move around your scooter—about 5 feet (1.5 meters) in all directions. Remember that some scooter components are heavy and you may need assistance when lifting them.



**WARNING!** Do not lift beyond your physical capability. Ask for assistance when necessary while disassembling or assembling your scooter.



**Figure 22. Disassembled scooter**

1. Remove the seat by lifting it straight up and off of the scooter. If you encounter resistance when removing the seat, disengage the seat rotation lever and swivel the seat back and forth while lifting up on the seat.
2. Gently pull the battery shroud forward, then lift up and off of the scooter.
3. Disconnect the battery tie-down strap.
4. Disconnect the front-to-rear harness.
5. Unplug both battery harnesses by depressing the tabs and then pulling each harness straight up. See **figure 14**.
6. Remove the batteries from the battery wells.

**NOTE:** If spacers are installed to secure the batteries, remove the spacers for safe keeping until the scooter is reassembled. See **figure 16**.



**WARNING!** Failure to unplug both battery harnesses and the front-to-rear harness prior to separating the front and rear sections could result in permanent damage to the scooter.

### Frame Separation

1. Arrange the front wheel(s) in a straight forward-facing position.
2. Lower the tiller.

**NOTE:** The pivoting tiller is equipped with a mechanism that will lock the front wheels in place when the tiller is completely lowered and secured.



## VI. DISASSEMBLY AND ASSEMBLY

3. Grasp and lift up on the frame release lever. **See figure 23.**
4. Lift the front section up until the frame hooks of the front section separate from the rear section.
5. Slowly separate the two sections.

### ASSEMBLY

1. Position the front and rear sections of your scooter as shown in **figure 23.**
2. Use the frame release lever to lift the front section as you align the frame hooks of the front section with the lower frame tube of the rear section.
3. Once the frame hooks are over the lower frame tube, lower the front section and pivot the rear section simultaneously. This will engage the frame lockup automatically.
4. Raise the tiller.
5. Connect the front-to-rear cable.
6. Reinstall the battery spacers if applicable. **See figure 16.**
7. Reinstall the batteries to the battery wells.
8. Connect both battery harnesses. **See figure 14.**
9. Secure the battery tie-down strap.
10. Reinstall the battery shroud.
11. Reinstall the seat and rotate it into place.

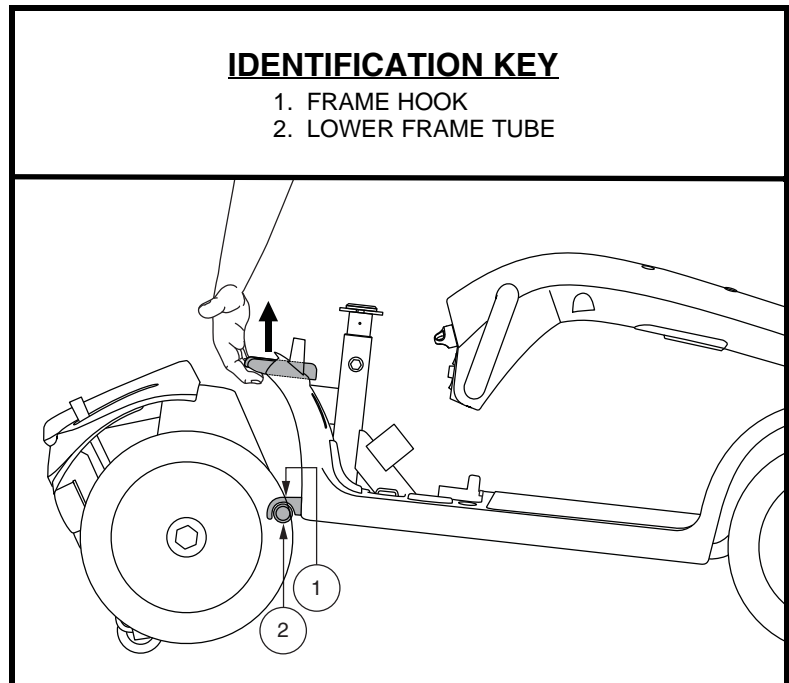


Figure 23. Frame Release Lever

## VII. BASIC TROUBLESHOOTING

Any electromechanical device occasionally requires some troubleshooting. However, most of the problems that may arise can usually be solved with a bit of thought and common sense. Many of these problems occur because the batteries are not fully charged or because the batteries are worn down and can no longer hold a charge.

### DIAGNOSTIC FAULT CODES

The diagnostic beep codes for your scooter are designed to help you perform basic troubleshooting quickly and easily. A diagnostic flash code will flash from the status LED in the event one of the conditions listed below develops. See figure 24 or 25.

**NOTE:** *Your scooter will not run unless the fault code condition is resolved and the scooter has been turned off, then turned back on.*

FAULT CODE	CONDITION	SOLUTION
■ (1)	Battery charge is low.	Charge batteries as soon as possible.
■ ■ (2)	Battery charge is too low.	Charge batteries.
■ ■ ■ (3)	The scooter's battery voltage is too high to operate the scooter, or the charger is still connected to the off-board charger port.	Unplug charger and/or turn key off, then back on again.
■ ■ ■ ■ (4)	Current limit time out.	Turn the scooter off for a few minutes, then turn your scooter back on.
■ ■ ■ ■ ■ (5)	The manual freewheel lever is in the (forward) freewheel position.	Remove the key from the key switch, then push the manual freewheel lever to the drive (rearward) position and restart your scooter.
■ ■ ■ ■ ■ ■ (6)	Throttle control lever not at center position at start up.	Verify that the batteries are fully charged. If the batteries are fully charged, then return the throttle control lever to center position, turn scooter off then back on.
■ ■ ■ ■ ■ ■ ■ (7)	Speed pot error.	Call your authorized Provider for assistance.
■ ■ ■ ■ ■ ■ ■ ■ (8)	Motor volts error.	Call your authorized Provider for assistance.
■ ■ ■ ■ ■ ■ ■ ■ ■ (9)	Other internal errors.	Call your authorized Provider for assistance.

Figure 24. Models with Tiller Console

### What if all the systems on my scooter seem to be dead?

- Make certain that the key is in the “on” position.
- Check that the batteries are fully charged.
- Push in the main circuit breaker reset button. See II. “Your Scooter.”
- Make certain that both battery harnesses and the front-to-rear harness are firmly connected.
- Be sure the power down timer feature has not been activated. See IV. “Operation.”

## VII. BASIC TROUBLESHOOTING

FAULT CODE	CONDITION	SOLUTION	ERROR MESSAGE
1	Batteries need charging	Charge batteries as soon as possible.	N/A
2	Low voltage; batteries need charge immediately	Charge batteries as soon as possible.	Lo BAT
3	Over voltage	Unplug charger and/or turn scooter off, then back on.	Hi BAT
4	Over current	Turn scooter off for a few minutes, then turn scooter back on.	Hi CUR
5	Park brake fault	Remove the key from the key switch, then push the manual freewheel lever to the drive (rearward) position and restart your scooter.	BRAKE
6	Throttle control lever not centered at start up	Return the throttle control lever to center position, turn scooter off, then back on.	T POT
7	Throttle control lever broken or faulted	Contact your authorized Provider.	T POT
8	Motor fault	Contact your authorized Provider.	MOTOR
9	Other fault	Contact your authorized Provider.	OTHER

Figure 25. Models with LCD Control Panel

### What if my scooter does not move when I engage the throttle control lever?

- When the manual freewheel lever is pushed forward, the brakes are disengaged and all power to the motor/transaxle assembly is cut.
- Push rearward on the manual freewheel lever, turn the scooter off, and then turn the scooter on to return to normal scooter operation.

### What if the main circuit breaker repeatedly trips?

- If the main circuit breaker trips repeatedly, see your authorized Provider for service.
- Charge the batteries more frequently. See III. “Batteries and Charging.”
- If the problem continues, have both of your scooter’s batteries load tested by your authorized Provider.
- You may also perform the load test yourself. Battery load testers are available at most automotive parts stores. Follow the directions supplied with the load tester.
- See III. “Batteries and Charging” or the additional “Product Specifications Sheet” for information about your scooter’s battery type.

### What if the battery condition meter dips way down and the motor surges or hesitates when I engage the throttle control lever?

- Fully charge your scooter’s batteries. See III. “Batteries and Charging.”
- Have your authorized Provider load test each battery.
- See the previous troubleshooting question for load testing the batteries yourself.

If you experience any problems with your scooter that you are not able to solve, immediately contact your authorized Provider for information, maintenance, and service.

## VIII. CARE AND MAINTENANCE

Your scooter requires a minimal amount of care and maintenance. If you do not feel confident in your ability to perform the maintenance listed below, you may schedule inspection and maintenance at your authorized Provider. The following areas require periodic inspection and/or care and maintenance.

### TIRE PRESSURE

- If equipped with pneumatic tires, always maintain the psi/bar/kPa air pressure rating indicated on each tire.



**WARNING! It is important that the psi/bar/kPa air pressure rating indicated on each tire be maintained in pneumatic tires at all times. Do not underinflate or overinflate your tires. Low pressure may result in loss of control, and overinflated tires may burst. Failure to maintain the psi/bar/kPa air pressure rating indicated on the tires at all times may result in tire and/or wheel failure.**

- Regularly inspect your scooter's tires for signs of damage or wear.

### EXTERIOR SURFACES

Bumpers, tires, and trim can benefit from an occasional application of a rubber or vinyl conditioner.



**WARNING! Do not use a rubber or vinyl conditioner on the scooter's vinyl seat or tire tread, as this may cause them to become dangerously slippery.**

### CLEANING AND DISINFECTION

- Use a damp cloth and mild, non-abrasive cleanser to clean the plastic and metal parts of your scooter. Avoid using products that may scratch the surface of your scooter.
- If necessary, clean your product with an approved disinfectant. Make sure the disinfectant is safe for use on your product before application.



**WARNING! Follow all safety instructions for the proper use of the disinfectant and/or cleaning agent before applying it to your product. Failure to comply may result in skin irritation or premature deterioration of upholstery and/or scooter finishes.**

### BATTERY TERMINAL CONNECTIONS

- Make certain that the terminal connections remain tight and uncorroded.
- The batteries must sit flat in the battery wells.
- The battery terminals should face away from the seat post.

### WIRING HARNESSES

- Regularly check all wiring connections.
- Regularly check all wiring insulation, including the charger power cord, for wear or damage.
- Have your authorized Provider repair or replace any damaged connector, connection, or insulation that you find before using your scooter again.



**PROHIBITED! Even though the scooter has passed the necessary testing requirements for ingress of liquids, you should keep electrical connections away from sources of dampness, including direct exposure to water or bodily fluids and incontinence. Check electrical components frequently for signs of corrosion and replace as necessary.**



**WARNING! Do not pull on electrical harnesses directly to detach them from the scooter. Always grasp the connector itself when disconnecting the harness to prevent wire damage.**

# VIII. CARE AND MAINTENANCE

## WHEEL REPLACEMENT

If your scooter is equipped with pneumatic tires and you have a flat tire, you can have the tube replaced. Contact your authorized Provider for information regarding replacement wheels for your scooter.

**WARNING! Wheels on your scooter should only be serviced/replaced by a qualified technician.**

**WARNING! Be sure that the key is removed from the key switch and the scooter is not in freewheel mode before performing this procedure.**



**WARNING! When changing a pneumatic tire, remove only the lug nuts, then remove the wheel. If any further disassembly is required, deflate the tire COMPLETELY or it may explode.**

Follow these easy steps for a quick and safe repair for pneumatic tires:

1. Remove the key from the key switch and ensure your scooter is not in freewheel mode.
2. Elevate the side of the scooter of which you are removing the tire. Place wooden blocks under the frame to elevate the scooter.
3. If you are replacing the tube, deflate the tire **completely** before taking it off the hub.
4. Remove the lug nuts from the hub. See **figure 26**.
5. Remove the drive wheel from the axle.
6. Remove the screws and separate the rim halves. See **figure 27**.
7. Remove the old tube from the pneumatic tire and replace it with a new tube.
8. Reassemble the rim halves.
9. Slide the wheel back onto the hub.
10. Reinstall the lug nuts and tighten.



**WARNING! Make sure all the lug nuts are tightened properly.**

11. Inflate pneumatic tires to the psi/bar/kPa air pressure rating indicated on each tire.
12. Remove the blocks from beneath the scooter.

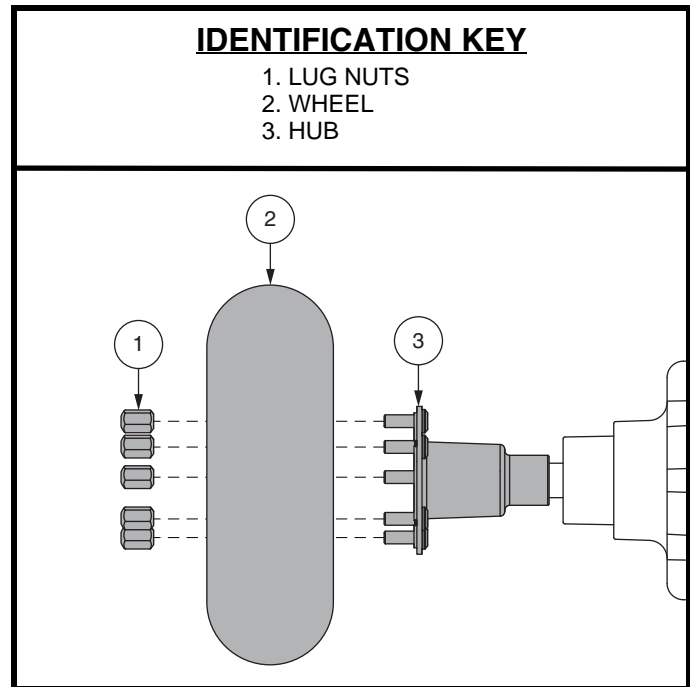


Figure 26. Drive Wheel Removal

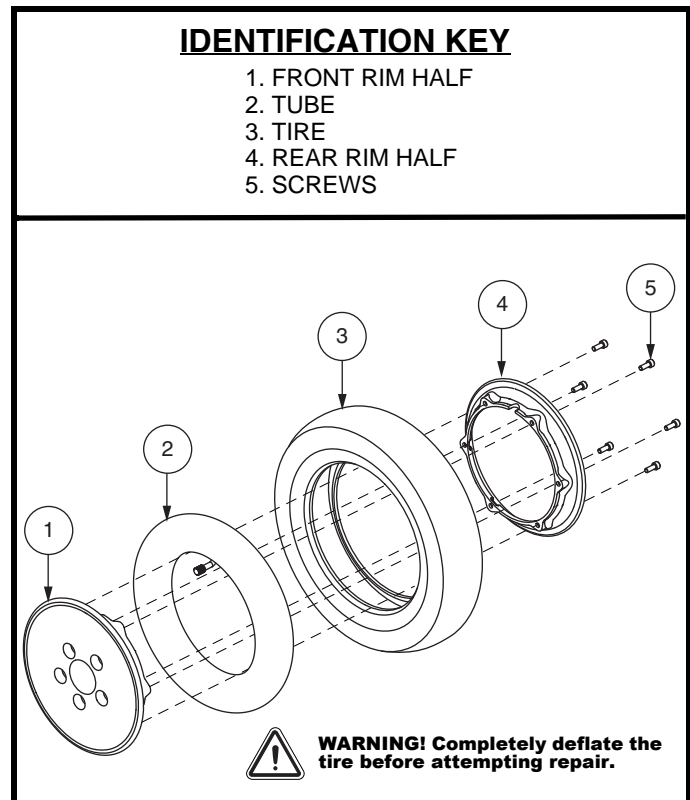


Figure 27. Pneumatic Drive Wheel Disassembly/Assembly

# VII. CARE AND MAINTENANCE

## ABS PLASTIC SHROUDS

- The front tiller shroud, front shroud, and the rear shroud are formed from durable ABS plastic and are coated with an advanced formula urethane paint.
- A light application of car wax will help the shrouds retain their high gloss.

## AXLE BEARINGS AND THE MOTOR/TRANSAXLE ASSEMBLY

These items are all prelubricated, sealed, and require no subsequent lubrication.

## MOTOR BRUSHES

The motor brushes are housed inside of the motor transaxle/assembly. They should be inspected periodically for wear by your authorized Provider.

## CONSOLE, CHARGER, AND REAR ELECTRONICS

- Keep these areas free of moisture.
- Allow these areas to dry thoroughly if they have been exposed to moisture before operating your scooter again.

## BRAKE PADS

The brake pads on your scooter should be inspected periodically for wear. Once the pads reach 2 mm or 1/16-th of an inch in thickness, they should be replaced. If any of the brake pads needs to be replaced, then it is best to replace all the brake pads at the same time. Contact your authorized Provider for more information on replacing the brake pads.

## FUSE REPLACEMENT

**In the event a fuse should cease to work:**

1. Remove the fuse by pulling it out of its slot.
2. Examine the fuse to be sure it is blown. **See figure 28.**
3. Insert a new fuse of the same rating.



**WARNING! The replacement fuse must exactly match the rating of the fuse being replaced. Failure to use properly rated fuses may cause damage to the electrical system.**

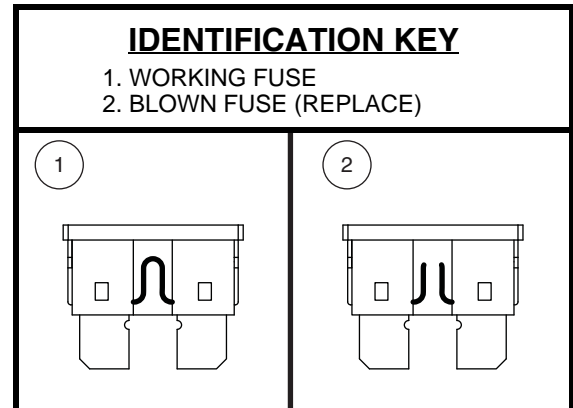


Figure 28. Fuse Replacement

## VIII. CARE AND MAINTENANCE

### NYLON LOCK NUT REPLACEMENT

Any nylon insert lock nut removed during the periodic maintenance, assembly, or disassembly of the scooter must be replaced with a new nut. Nylon insert lock nuts should not be reused as it may cause damage to the nylon insert, resulting in a less secure fit. Replacement nylon insert lock nuts are available at local hardware stores or through your authorized Provider.

### STORING YOUR SCOOTER

If you plan on not using your scooter for an extended period of time, it is best to:

- Fully charge its batteries prior to storage.
- Disconnect the batteries from the scooter.
- Store your scooter in a warm, dry environment.
- Avoid storing your scooter where it will be exposed to temperature extremes.
- Recommended storage temperature: -104°F/-75°C to 158°F/70°C.



**WARNING! Always protect batteries from freezing temperatures and never charge a frozen battery. Charging a frozen battery can result in damage to the battery.**

Batteries that are regularly and deeply discharged, infrequently charged, stored in extreme temperatures, or stored without a full charge may be permanently damaged, causing unreliable performance and limited service life. It is recommended that you charge the scooter batteries periodically throughout periods of prolonged storage to ensure proper performance.

You may wish to place several boards under the frame of your scooter to raise it off of the ground during periods of prolonged storage. This takes the weight off the tires and reduces the possibility of flat spots developing on the areas of the tires contacting the ground.

### DISPOSAL OF YOUR SCOOTER

Your scooter must be disposed of according to applicable local and national statutory regulations. Contact your local waste disposal agency or authorized Pride Provider for information on proper disposal of packaging, metal frame components, plastic components, electronics, batteries, neoprene, silicone, and polyurethane materials.

# NOTES





*Please fill out the following information for quick reference:*

*S.V.P. veuillez compléter les informations ci dessous:*

*Vul alstublieft de volgende informatie in voor snelle referentie:*

*Mein autorisierter Fachhändler ist:*

*Informazioni di riferimento:*

*Por favor, rellene la siguiente información para tener siempre a mano:*

Provider:

Détaillant:

Leverancier:

Name:

Rivenditore:

Proveedor: \_\_\_\_\_

Address:

Adresse:

Adres:

Adresse:

Indirizzo:

Dirección: \_\_\_\_\_

Telephone:

Téléphone:

Telefoon nummer:

Tel. Nummer:

Telefono:

Número de teléfono: \_\_\_\_\_

Purchase Date:

Date d'achat:

Koop Datum:

Kaufdatum:

Data di acquisto:

Fecha de compra: \_\_\_\_\_



I N F M A N U 4 5 3 0



Serial #/série#/serie#