

Maxima

Owner's Manual

ATTENTION:
Please read the content
of your owner's manual
before operating your
scooter.



The Ultimate In Style & Performance[®]

Pride
Mobility Products Ltd.

*Unit 106, Heyford Park Camp Road
Upper Heyford, Oxfordshire OX25 5HA*

www.pridemobility.com

SAFETY GUIDELINES

The symbols below are used throughout this owner's manual and on the scooter to identify warnings and important information. It is very important for you to read them and understand them completely.



WARNING! Indicates a potentially hazardous condition/situation that can cause personal injury, equipment and/or property damage.



MANDATORY! These actions should be performed as specified. Failure to perform mandatory actions can cause injury to personnel and/or damage to equipment.



PROHIBITED! These actions are prohibited; do not perform at any time or in any situation. Performing a prohibited action can cause personal injury and/or equipment damage.

Please fill out the following information for quick reference:

Pride Dealer: _____
Purchase Date: _____
Address: _____
Phone Number: _____
Serial Number: _____

NOTE: This owner's manual is compiled from the latest specifications and product information available at the time of publication. We reserve the right to make changes as they become necessary. Any changes to our products may cause slight variations between the illustrations and explanations in this manual and the product you have purchased.



Copyright © 2005
Pride Mobility Products Ltd.

INFMANU2203/REV B/DECEMBER 2005

CONTENTS

I. INTRODUCTION.....	4
II. SAFETY	5
III. SPECIFICATIONS	14
IV. YOUR SCOOTER	16
V. BATTERIES AND CHARGING	20
VI. OPERATION	24
VII. COMFORT ADJUSTMENTS.....	26
VIII. DISASSEMBLY AND ASSEMBLY	29
IX. BASIC TROUBLESHOOTING	32
X. CARE AND MAINTENANCE	34
XI. WARRANTY.....	37

I. INTRODUCTION

SAFETY

Welcome to Pride Mobility Products Ltd. (Pride). The product you have purchased combines state-of-the-art components with **safety**, comfort and styling in mind. We are confident the design features will provide you with the conveniences you expect during your daily activities. Understanding how to **safely** operate and care for this product should bring you years of trouble free operations and service.

Read and follow all instructions, warnings and notes in this manual and all other accompanying literature before attempting to operate this product for the first time. In addition, your **safety** depends upon you, as well as your dealer, carer or healthcare professional in using good judgement.

If there is any information in this manual which you do not understand or if you require additional assistance for setup or operation, please contact your authorised Pride Dealer. **Failure to follow the instructions, warnings and notes in this manual and those located on your Pride product can result in personal injury or product damage and will void Pride's product warranty.**

PURCHASER'S AGREEMENT

By accepting delivery of this product, you promise that you will not change, alter or modify this product or remove or render inoperable or unsafe any guards, shields or other safety features of this product; fail, refuse or neglect to install any retrofit kits from time to time provided by Pride to enhance or preserve the safe use of this product.

INFORMATION EXCHANGE

We want to hear your questions, comments and suggestions about this manual. We would also like to hear about the safety and reliability of your new scooter and about the service you received from your authorised Pride Dealer. Please notify us of any change of address, so we can keep you apprised of important information about safety, new products and new options that can increase your ability to use and enjoy your scooter. Please feel free to contact us at the address below:

Pride Mobility Products Ltd.
Unit 106, Heyford Park Camp Road
Upper Heyford, Oxfordshire OX25 5HA

NOTE: If you ever lose or misplace your product registration card or your copy of this manual, contact us and we will be glad to send you a new one immediately.

II. SAFETY

GENERAL



MANDATORY! Do not operate your new scooter for the first time without completely reading and understanding this owner's manual.

Your scooter is a state-of-the-art life-enhancement device designed to increase mobility. Pride provides an extensive variety of products to best fit the individual needs of the scooter user. Please be aware that the final selection and purchasing decision regarding the type of scooter to be used is the responsibility of the scooter user who is capable of making such a decision and his/her healthcare professional (i.e., medical doctor, physical therapist, etc.).

The contents of this manual are based on the expectation that a mobility device expert has properly fitted the scooter to the user and has assisted the prescribing healthcare professional and/or the authorised Pride Dealer in the instruction process for the use of the product.

There are certain situations, including some medical conditions, where the scooter user will need to practice operating the scooter in the presence of a trained attendant. A trained attendant can be defined as a family member or care professional specially trained in assisting a scooter user in various daily living activities.

As you begin using your scooter during daily activities, you will probably encounter situations in which you will need some practice. Simply take your time and you will soon be in full and confident control as you maneuver through doorways, on and off lifts, up and down ramps and over moderate terrain.

Below are some precautions, tips and other safety considerations that will help you become accustomed to operating the scooter safely.

MODIFICATIONS

Pride has designed and engineered your scooter to provide maximum mobility and utility. A wide range of accessories is available from your authorised Pride Dealer to further customise your scooter to better suit your needs and/or preferences. However, under no circumstances should you modify, add, remove or disable any feature, part or function of your scooter.



WARNING! Do not modify your scooter in any way not authorised by Pride. Unauthorised modifications may result in personal injury and/or damage to your scooter.

REMOVABLE PARTS



WARNING! Do not attempt to lift or move your scooter by any of its removable parts. Personal injury and damage to the scooter may result.

II. SAFETY

PRE-RIDE SAFETY CHECK

Get to know the feel of your scooter and its capabilities. Pride recommends that you perform a safety check before each use to make sure your scooter operates smoothly and safely. For details on how to perform these necessary inspections, see X. “Care and Maintenance.”

Perform the following inspections prior to using your scooter:

- Check for proper tyre inflation. Maintain **2-2.4 bar (30-35 psi)** in each tyre (if equipped with pneumatic tyres).
- Check all electrical connections. Make sure they are tight and not corroded.
- Check all harness connections to the electronic module. Make sure they are secured properly.
- Check the brakes.
- Check battery charge.

TYRE INFLATION

If your scooter is equipped with pneumatic tyres, you should check or have the air pressure checked at least once a week. Proper inflation pressures will prolong the life of your tyres and help ensure the smooth operation of your scooter.



WARNING! It is critically important that 2-2.4 bar (30-35 psi) tyre pressure be maintained in pneumatic tyres at all times. Failure to maintain 2-2.4 bar (30-35 psi) tyre pressure in pneumatic tyres at all times may result in catastrophic tyre and/or wheel failure, causing serious personal injury and/or damage to your scooter.

WARNING! Inflate your scooter drive tyres from a regulated air source with an available pressure gauge. Maximum air pressure for scooter drive tyres is 2-2.4 bar (30-35 psi). Inflating your tyres from an unregulated air source could overinflate them, resulting in a burst tyre and/or personal injury.

If you discover a problem, contact your authorised Pride Dealer for assistance.

WEIGHT LIMITATIONS

Your scooter is rated for a maximum weight capacity. Refer to the specifications table for information.



WARNING! Exceeding the weight capacity voids your warranty and may result in personal injury and damage to your scooter. Pride will not be held responsible for injuries and/or property damage resulting from failure to observe weight limitations.

WARNING! Do not carry passengers on your scooter. Carrying passengers may result in personal injury and/or property damage.

INCLINE INFORMATION

More and more buildings have ramps with specified degrees of inclination, designed for easy and safe access. Some ramps may have turning switchbacks (180-degree turns) that require you to have good cornering skills on your scooter.

- Proceed with extreme caution as you approach the downgrade of a ramp or other incline.
- Take wide swings with your scooter’s front wheel(s) around any tight corners. If you do that, the scooter’s rear wheels will follow a wide arc, not cut the corner short and not bump into or get hung up on any railing corners.
- When driving down a ramp, keep the scooter’s speed adjustment set to the slowest speed setting to ensure a safely controlled descent. See IV. “Your Scooter.”
- Avoid sudden stops and starts.

II. SAFETY

When climbing an incline, try to keep your scooter moving. If you must stop, start up again slowly and then accelerate cautiously. When driving down an incline, do so by setting the speed adjustment dial to the slowest setting and driving in the forward direction only. If your scooter starts to move down the incline faster than you anticipated or desired, allow it to come to a complete stop by releasing the throttle control lever. Then push the throttle control lever forward slightly to ensure a safely controlled descent.

WARNING! When climbing an incline, do not zigzag or drive at an angle up the face of the incline. Drive your scooter straight up the incline. This greatly reduces the possibility of a tip or a fall. Always exercise extreme caution when negotiating an incline.

WARNING! Do not drive your scooter across the side of an incline or diagonally up or down an incline; do not stop, if possible, while driving up or down an incline.



WARNING! You should not travel up or down a potentially hazardous incline (i.e., areas covered with snow, ice, cut grass or wet leaves).

WARNING! When on any sort of an incline or decline, never place the scooter in freewheel mode while seated on it or standing next to it.

WARNING! Even though your scooter is capable of climbing slopes greater than those illustrated in figure 1, do not, under any circumstances, exceed the incline guidelines or any other specifications presented in this manual. Doing so could cause instability in your scooter, resulting in personal injury and/or damage to your scooter.

Other inclines may be natural or, if man-made, not designed specifically for scooters. Figure 1 illustrates your scooter's stability and its ability to climb grades under various weight loads and under controlled testing conditions.

These tests were conducted with the scooter's seat in the highest position and adjusted rearward on the seat base to its farthest rearward position. Use this information as a guideline. Your scooter's ability to travel up inclines is affected by your weight, your scooter's speed, your angle of approach to the incline and your scooter setup.

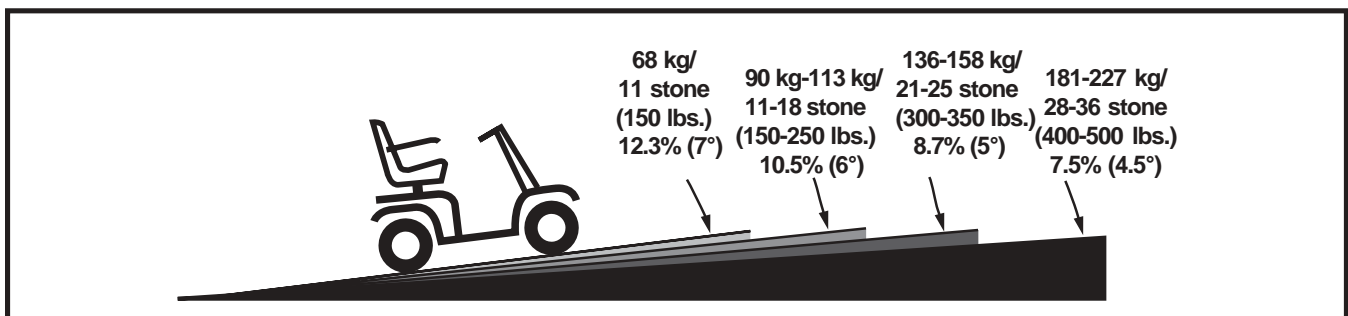


Figure 1. Maximum Recommended Incline Angles

WARNING! Any attempt to climb or descend a slope steeper than what is shown in figure 1 may put your scooter in an unstable position and cause it to tip, resulting in personal injury.



WARNING! Never carry an oxygen tank weighing more than 7 kg (15 lbs.). Never fill the rear basket with contents exceeding 7 kg (15 lbs.).

II. SAFETY

When you approach an incline, it is best to lean forward. See figures 2 and 2A. This shifts the centre of gravity of you and your scooter toward the front of the scooter for improved stability.

NOTE: When negotiating ramps, if the throttle control lever is released while moving forward, the powered scooter may "rollback" approximately 30.5 cm (1 foot) before the brake engages. If the throttle control lever is released while moving in reverse, the powered scooter may "rollback" approximately one meter (3 feet) before the brake engages.

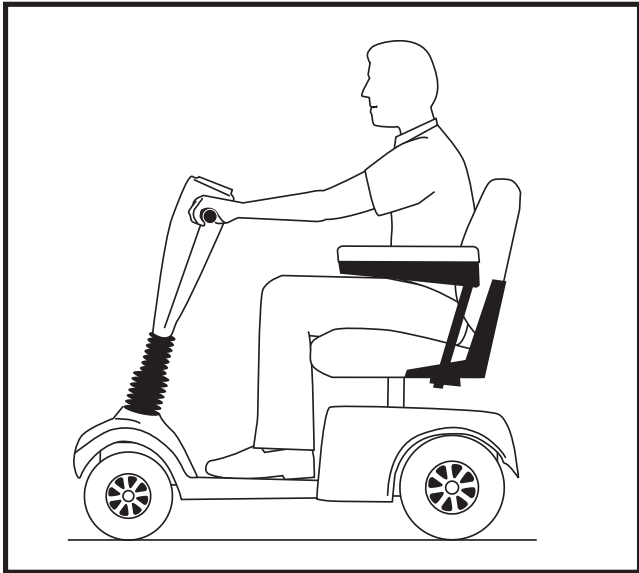


Figure 2. Normal Driving Position

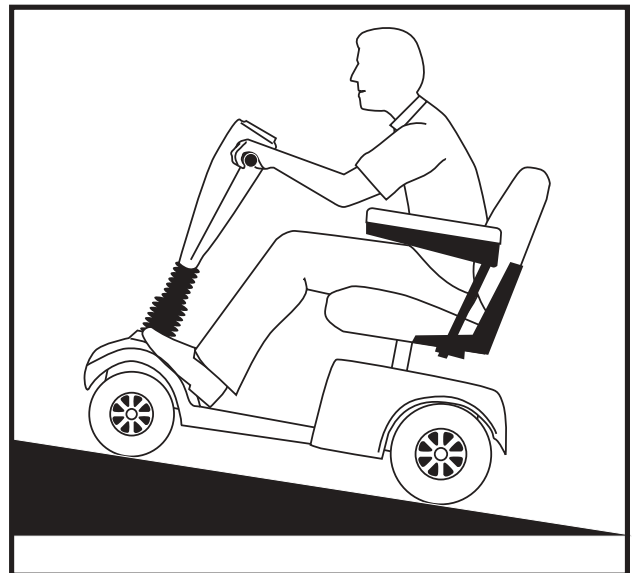


Figure 2A. Increased Stability Driving Position

CORNERING INFORMATION

Excessively high cornering speeds can create the possibility of tipping. Factors which affect the possibility of tipping include, but are not limited to, cornering speed, steering angle (how sharply you are turning), uneven road surfaces, inclined road surfaces, riding from an area of low traction to an area of high traction (such as passing from a grassy area to a paved area – especially at high speed while turning) and abrupt directional changes. High cornering speeds are not recommended. If you feel that you may tip over in a corner, reduce your speed and steering angle (i.e., lessen the sharpness of the turn) to prevent your scooter from tipping.



WARNING! When cornering sharply, reduce your speed. When using your scooter at higher speeds, do not corner sharply. This greatly reduces the possibility of a tip or fall. To avoid personal injury or property damage, always exercise common sense when cornering.

BRAKING INFORMATION

Your scooter is equipped with two powerful brake systems:

- **Regenerative:** Uses electricity to rapidly slow the vehicle when the throttle control lever returns to the centre/stop position.
- **Disc Park Brake:** Activates mechanically after regenerative braking slows the vehicle to near stop or when power is removed from the system for any reason.

II. SAFETY

OUTDOOR DRIVING SURFACES

Your scooter is designed to provide optimum stability under normal driving conditions—dry, level surfaces composed of concrete, blacktop or tarmac. However, Pride recognizes that there will be times when you will encounter other surface types. For this reason, your scooter is designed to perform admirably on packed soil, grass and gravel. Feel free to use your scooter safely on lawns and in park areas.

- Reduce your scooter's speed when driving on uneven terrain and/or soft surfaces.
- Avoid tall grass that can become tangled in the running gear.
- Avoid loosely packed gravel and sand.
- If you feel unsure about a driving surface, avoid that surface.

STREETS AND ROADWAYS



WARNING! Exercise extreme caution when operating the scooter on footpaths, pavements, bridleways, pedestrian areas and roads. Obey the Code of Practice for Class 3 vehicle users. Failure to heed could result in serious injury and/or damage to your scooter.

NOTE: A copy of the Department of Transportation, Code of Practice for Class 3 vehicle users, may be obtained by contacting your authorised Pride Dealer.

STATIONARY OBSTACLES (STEPS, KERBS, ETC.)

WARNING! Do not drive near raised surfaces, unprotected ledges and/or drop-offs (kerbs, porches, stairs, etc.).

WARNING! Do not attempt to have your scooter climb or descend an obstacle that is inordinately high. Serious personal injury and/or damage may result.



WARNING! Do not attempt to have your scooter proceed rearward down any step, kerb or other obstacle. This may cause the scooter to tip and cause personal injury.

WARNING! Be sure your scooter is traveling perpendicular to any kerb you may be required to ascend or descend. See figures 3 and 3A.

WARNING! Do not attempt to negotiate a kerb that has a height greater than 5 cm (2 in.).

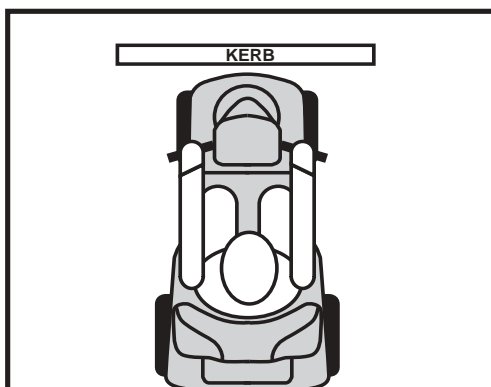


Figure 3. Correct Kerb Approach

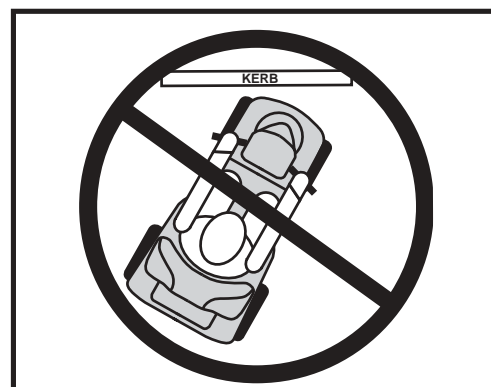


Figure 3A. Incorrect Kerb Approach

II. SAFETY

INCLEMENT WEATHER PRECAUTIONS

Exposure of your scooter to inclement weather conditions should be avoided whenever possible. If suddenly caught up in rain, snow, severe cold or heat while operating your scooter proceed to shelter at the earliest opportunity. Thoroughly dry your scooter before storing, charging or operating your scooter.



WARNING! Operating in rain, snow, salt, mist/spray conditions and on icy/slippery surfaces can cause personal injury and/or damage to the scooter and electrical system. Maintain and store your scooter in a dry and clean condition.

FREEWHEEL MODE

Your scooter is equipped with a manual freewheel lever that, when engaged, allows the scooter to be pushed. For more information about how to place your scooter into and out of freewheel mode, see IV. “Your Scooter.”



WARNING! When your scooter is in freewheel mode, the braking system is disengaged.

- Disengage the drive motors only on a level surface.
- Ensure the key is removed from the key switch.
- Stand behind the scooter to engage or disengage freewheel mode. Never sit on a scooter to do this.
- After you have finished pushing your scooter, always return it to the drive mode to lock the brakes.

Failure to heed the above could result in personal injury and/or damage to your scooter.

An added feature built into the scooter is “**push-too-fast**” protection which safeguards the scooter against gaining excessive speed while in freewheel mode.

“Push-too-fast” operates differently depending on which of two conditions exists:

- If the key is switched “off” when in freewheel mode, the scooter’s controller activates regenerative braking when the scooter is pushed faster than a maximum threshold which has been preprogrammed. In this case, the controller is acting as a speed governor.
- If the key is switched “on” while in freewheel mode, you will encounter considerable resistance at any speed. This prevents the scooter from gaining unwanted momentum should the manual freewheel lever inadvertently be released while driving the scooter.

STAIRS AND ESCALATORS

Scooters are not designed to travel up or down stairs or escalators. Always use a lift.



WARNING! Do not use your scooter to negotiate steps or escalators. You may cause injury to yourself and to others and damage your scooter.

DOORS

- Determine if the door opens toward or away from you.
- Use your hand to turn the knob or push the handle or push-bar.
- Drive your scooter gently and slowly forward to push the door open. Or drive your scooter gently and slowly rearwards to pull the door open.

II. SAFETY

LIFTS

Modern lifts have a door edge safety mechanism that, when pushed, reopens the lift door(s).

- If you are in the doorway of a lift when the door(s) begin to close, push on the rubber door edge or allow the rubber door edge to contact the scooter and the door will reopen.
- Use care that handbags, packages or scooter accessories do not become caught in lift doors.

NOTE: *If your scooter's turning radius is greater than 1500 mm, it may be difficult to maneuver in lifts and building entrances. Use caution when attempting to turn or maneuver your scooter in small spaces, and avoid areas that might pose a problem.*

LIFT/ELEVATION PRODUCTS

If you will be traveling with your scooter, you may find it necessary to use a lift/elevation product to aid in transportation. Pride recommends that you closely review the instructions, specifications and safety information set forth by the manufacturer of the lift/elevation product before using that product.

BATTERIES

In addition to following the warnings below, be sure to comply with all other battery handling information. For more information about your scooter's batteries, see V. "Batteries and Charging."

WARNING! Scooter batteries are heavy (refer to specifications table). Lifting weight beyond your capacity could result in personal injury. If necessary, get someone physically able to lift the batteries for you.



WARNING! Battery posts, terminals and related accessories contain lead and lead compounds. Wash hands after handling.

WARNING! Always protect the batteries from freezing and never charge a frozen battery. Charging a frozen battery may result in personal injury and/or damage to the battery.

WARNING! RED (+) cables must be connected to positive (+) battery terminals/posts. BLACK (-) cables must be connected to negative (-) battery terminals/posts. Failure to connect your battery harnesses in the proper manner may result in personal injury and/or damage to your scooter. REPLACE cables immediately if damaged.

BATTERY DISPOSAL AND RECYCLING

If you encounter a damaged or cracked battery, immediately enclose it in a plastic bag and call your authorised Pride Dealer for instructions on disposal. Your authorised Pride Dealer will also have the necessary information on battery recycling, which is our recommended course of action.

PREVENTING UNINTENDED MOVEMENT



WARNING! If you anticipate being seated in a stationary position for an extended period of time, turn off the power. This will prevent unexpected motion from inadvertent throttle control lever contact. Failure to do so may result in personal injury.

II. SAFETY

MOTOR VEHICLE TRANSPORT

Currently, there are no standards approved for tie-down systems in a moving vehicle of any type to transport a person while seated in a scooter.

Although your scooter may be equipped with a positioning belt, this belt is not designed to provide proper restraint during motor vehicle transport. Anyone traveling in a motor vehicle should be properly secured in the motor vehicle seat with safety belts fastened securely.



WARNING! Do not sit on your scooter while it is in a moving vehicle. Personal injury and/or property damage may result.

WARNING! Always be sure your scooter and its batteries are properly secured when it is being transported. Failure to do so may result in personal injury and/or damage to your scooter.

GETTING ONTO AND OFF OF YOUR SCOOTER

Getting onto and off of your scooter requires a good sense of balance. Please observe the following safety tips when getting onto and off of your scooter:

- Ensure that your scooter is not in freewheel mode. See IV. “Your Scooter.”
- Make certain that the seat is locked into place and the key is removed from the key switch.
- Flip up the seat armrests to make getting on and off the scooter easier.

WARNING! Position yourself as far back as possible in the scooter seat to prevent the scooter from tipping and causing injury.



WARNING! Avoid using your armrests for weight bearing purposes. Such use may cause the scooter to tip and cause personal injury.

WARNING! Avoid putting all of your weight on the floorboard. Such use may cause the scooter to tip and cause personal injury.

REACHING AND BENDING

Avoid reaching or bending while driving your scooter. Bending forward creates the risk of accidental throttle control lever contact. Bending to the side while seated creates the risk of tipping. It is important to maintain a stable centre of gravity and keep the scooter from tipping. Pride recommends that the scooter user determine his/her personal limitations and practice bending and reaching in the presence of a qualified attendant.



WARNING! Do not bend, lean, or reach for objects if you have to pick them up from the scooter deck or from either side of the scooter. Movements such as these may change your centre of gravity and the weight distribution of the scooter and cause your scooter to tip, possibly resulting in personal injury.

WARNING! Prevent personal injury! Keep your hands away from the tyres when driving. Be aware that loose fitting clothing can become caught in drive tyres.

II. SAFETY

POSITIONING BELTS

Your authorised Pride Dealer, therapist(s) and other healthcare professionals are responsible for determining your requirement for a positioning belt in order to operate your scooter safely.



WARNING! If you require a positioning belt to safely operate your scooter, make sure it is fastened securely. Serious personal injury may result if you fall from the scooter.

PRESCRIPTION DRUGS/PHYSICAL LIMITATIONS

The scooter user must exercise care and common sense when operating his/her scooter. This includes awareness of safety issues when taking prescribed or over-the-counter drugs or when the user has specific physical limitations.



WARNING! Consult your physician if you are taking prescribed or over-the-counter medication or if you have certain physical limitations. Some medications and limitations may impair your ability to operate your scooter in a safe manner.

ALCOHOL

The scooter user must exercise care and common sense when operating his/her scooter. This includes awareness of safety issues while under the influence of alcohol.



WARNING! Do not operate your scooter while you are under the influence of alcohol, as this may impair your ability to drive safely.

ELECTROMAGNETIC AND RADIO FREQUENCY INTERFERENCE (EMI/RFI)



WARNING! Laboratory tests have shown that electromagnetic and radio frequency waves can have an adverse affect on the performance of electrically-powered mobility vehicles.

Electromagnetic and Radio Frequency Interference can come from sources such as cellular phones, mobile two-way radios (such as walkie-talkies), radio stations, TV stations, amateur radio (HAM) transmitters, wireless computer links, microwave signals, paging transmitters and medium-range mobile transceivers used by emergency vehicles. In some cases, these waves can cause unintended movement or damage to the control system. Every electrically-powered mobility vehicle has an immunity (or resistance) to EMI. The higher the immunity level, the greater the protection against EMI. This product has been tested and has passed at an immunity level of 20 V/M.

WARNING! Be aware that cell phones, two-way radios, laptops and other types of radio transmitters may cause unintended movement of your electrically-powered mobility vehicle due to EMI. Exercise caution when using any of these items while operating your mobility vehicle and avoid coming into close proximity of radio and TV stations.



WARNING! The addition of accessories or components to the electrically-powered mobility vehicle can increase the susceptibility of the vehicle to EMI. Do not modify your scooter in any way not authorised by Pride.

WARNING! The electrically-powered mobility vehicle itself can disturb the performance of other electrical devices located nearby, such as alarm systems.

NOTE: For further information on EMI/RFI, visit the Resource Center on www.pridemobility.com. If unintended motion or brake release occurs, turn your scooter off as soon as it is safe to do so. Contact your authorised Pride Dealer to report the incident.

III. SPECIFICATIONS

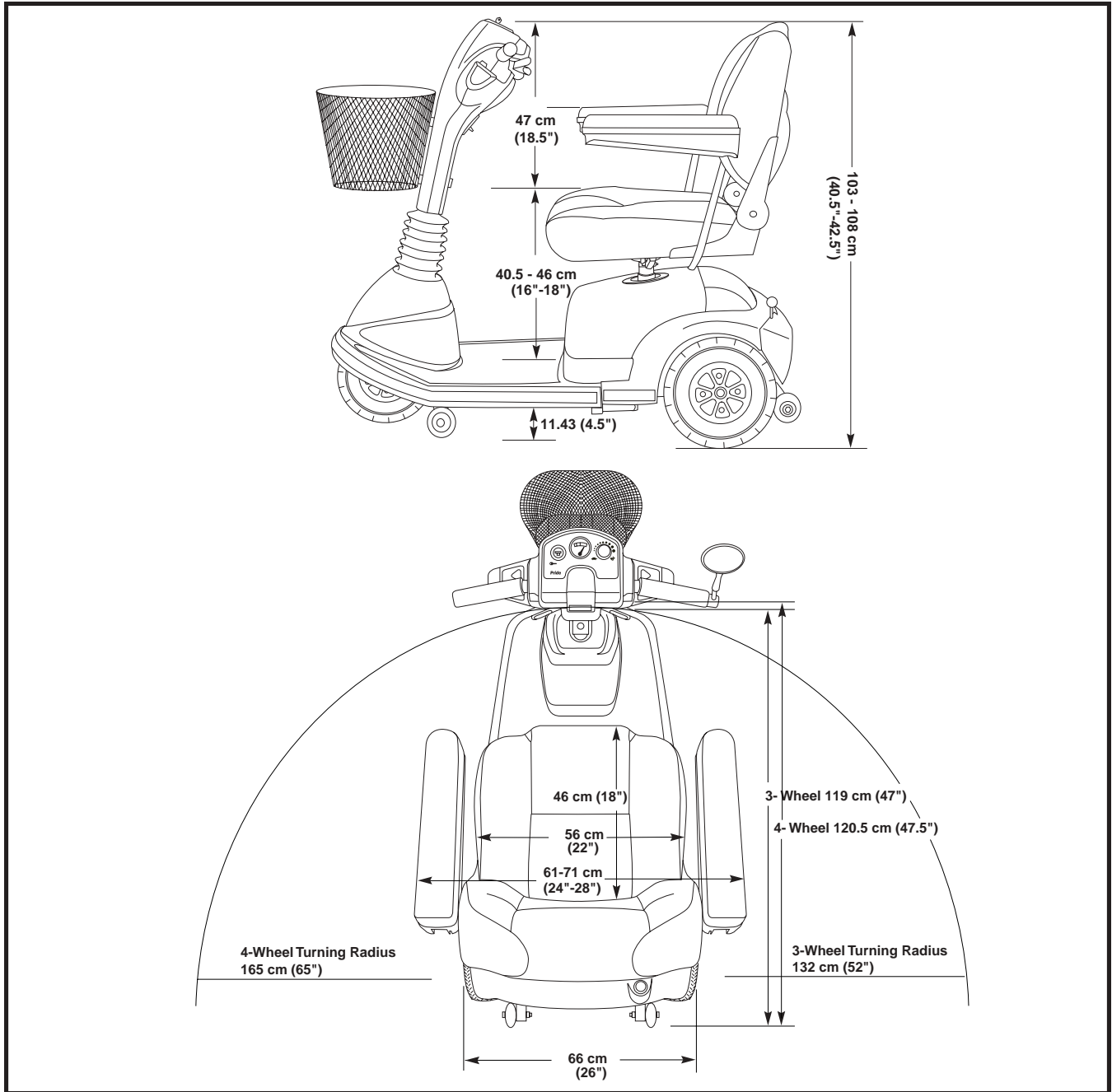


Figure 4. Scooter Dimensions

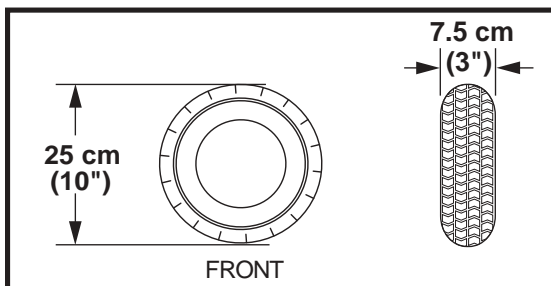


Figure 4A. Tyre Dimensions

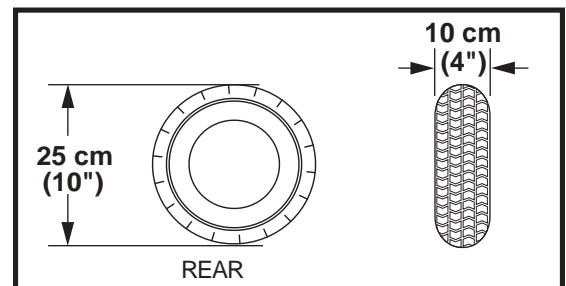


Figure 4B. Tyre Dimensions

III. SPECIFICATIONS

Model Numbers	3-wheel: SC900, 4-wheel: SC940
Available Colours	Painted: Candy Apple Red, Forest Green, Viper Blue, Black Onyx
Overall Length²	3-wheel: 119 cm (47 in.), 4-wheel: 120.5 cm (47.5 in.)
Overall Width²	66 cm (26 in.)
Total Weight Without Batteries	3-wheel: 77.5 kg (171 lbs.), 4-wheel: 80 kg (176 lbs.)
Heaviest Piece When Disassembled	Rear frame: 32 kg (70 lbs.)
Turning Radius²	3-wheel: 132 cm (52 in.), 4-wheel: 165 cm (65 in.)
Speed (maximum)	Variable up to 8.44 km/h (5.25 mph)
Range Per Charge¹	(With 32 AH batteries) Up to 32 km (20 miles) (With 55 AH batteries) Up to 48 km (30 miles)
Ground Clearance²	11.43 cm (4.5 in.)
Weight Capacity	227 kg, 36 stone (500 lbs.)
Standard Seating	Type: DX contour medium back Dimensions: 56 cm (22 in.) width x 46 cm (18 in.) depth x 47 cm (18.5 in.) height Material: Gray, Beige, or Black vinyl or Gray fabric
Standard Seat Weight	20 kg (45 lbs.)
Drive System	Rear-wheel drive, sealed transaxle with a 24-volt DC motor
Dual Braking System	Electronic, regenerative, and electromechanical
Tyres	Type: solid; front: 7.5 cm x 25 cm (3 in. x 10 in.), rear: 10 cm x 25 cm (4 in. x 10 in.)
Battery Requirements	Type: Two 12-volt deep-cycle (AGM or Gel-Cell type recommended) Size: (U-1) 32 AH, (NF-22) 55 AH
Battery Weight	Approximately: (32 AH) 11 kg (25 lbs.) each, (55AH) 17 kg (37 lbs.) each
Battery Charger	Off-board charger

(1) Varies with user weight, terrain type, battery amp hour (AH), battery charge, battery condition, and tyre condition.

(2) Due to manufacturing tolerances and continual product improvement, this specification can be subject to a variance of (+ or -) 3 %.

NOTE: All specifications subject to change without notice.

IV. YOUR SCOOTER

CONTROL CONSOLE ASSEMBLY

The control console assembly houses all of the controls you need to drive your scooter, including the key switch, speed adjustment dial, status LED, throttle control lever, battery condition meter, horn buttons, light switch, turn indicator buttons, off-board charger port and the hazard lights switch. See figure 5.



WARNING! Do not expose the control console assembly to moisture. In the event that the control console assembly does become exposed to moisture, do not attempt to operate your scooter until the control console assembly has dried thoroughly.

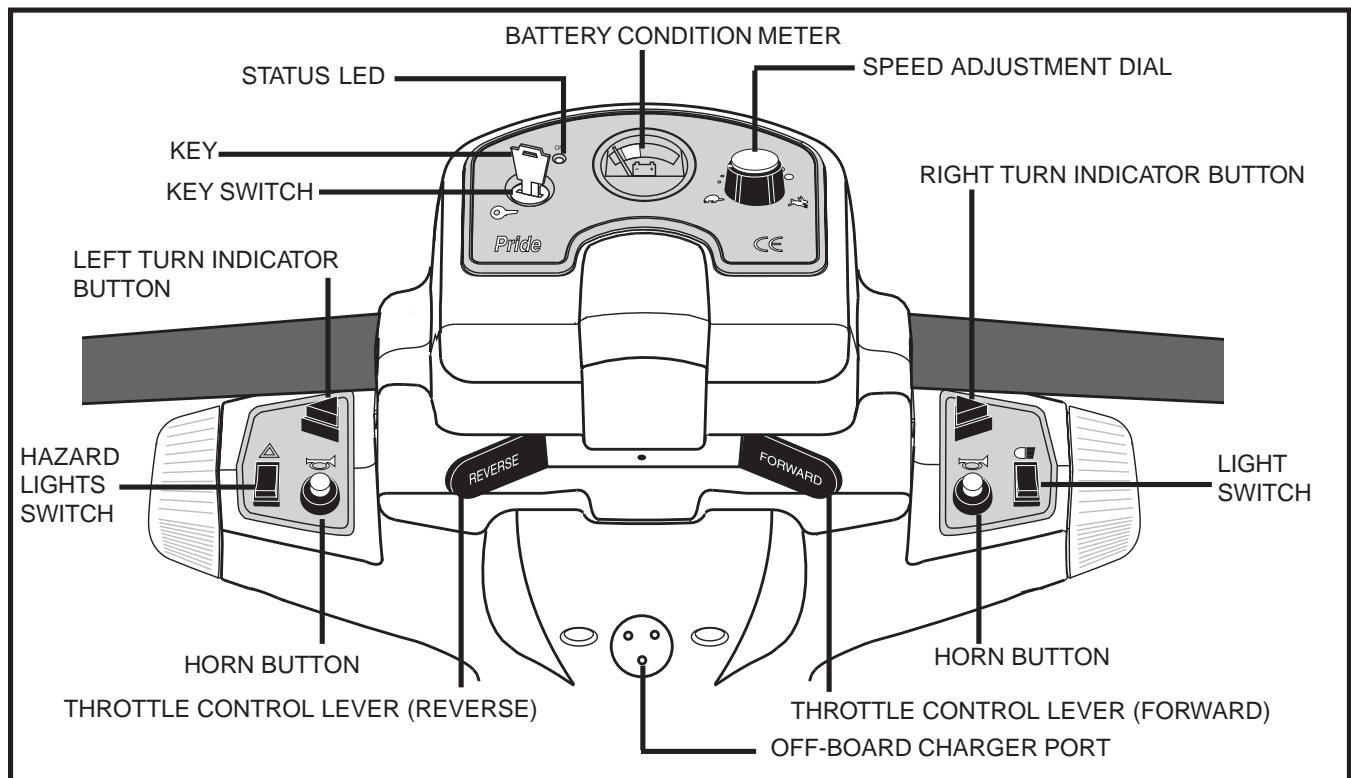


Figure 5. Control Console Assembly

Key Switch

- Fully insert the key into the key switch and turn it clockwise to power up (turn on) your scooter.
- Turn the key anticlockwise to power down (turn off) your scooter.



WARNING! If the key is moved to the off position while your scooter is in motion, the electronic brakes engage and your scooter comes to an abrupt stop!

Speed Adjustment Dial

This adjustment dial enables you to preselect and limit your scooter's top speed.

- The image of the tortoise represents the slowest speed setting.
- The image of the hare represents the fastest speed setting.

Status LED

The Status LED alerts you to electrical problems that may occur with the scooter. The LED remains constantly lit while your scooter is on. If the scooter develops an electrical problem, the status LED will flash a code. See IX. "Basic Troubleshooting" for troubleshooting flash codes.

IV. YOUR SCOOTER

Throttle Control Lever

This lever allows you to control the forward speed and the reverse speed of your scooter up to the maximum speed you preset with the speed adjustment dial.

- Place your right hand on the right handgrip and your left hand on the left handgrip.
- Use your right thumb to push the right side of the lever to disengage your scooter's brakes and move forward.
- Release the lever and allow your scooter to come to a complete stop before pushing the other side of the lever to move in reverse.
- When the throttle control lever is completely released, it automatically returns to the centre "stop" position and engages your scooter's brakes.

Battery Condition Meter

The battery condition meter on the control console assembly indicates the approximate strength of your batteries using a colour code. Green indicates fully charged batteries, yellow a draining charge and red indicates that an immediate recharge is necessary.

Horn Buttons

These buttons active a warning horn.

- The key must be inserted and turned clockwise for the horn to be operational.
- Do not hesitate to use the warning horn when its use could prevent accident or injury.

Light Switch

This switch controls your scooter's lighting system. Toggle this switch to turn on and turn off the lights.



WARNING! Scooter users are required to use their lights when visibility is restricted—day or night. Failure to use the lighting system in periods of poor visibility may result in personal injury.

Turn Indicator Buttons

Use these buttons to turn on the left and right turn indicator lights.

- Press the appropriate turn indicator button once to activate it.
- Your scooter's turn indicators are timed to shut off automatically.

Hazard Lights Switch

This switch activates the 4-way flashers on your scooter. Toggle this switch to turn on and turn off the lights.

Off-Board Charger Port

The scooter's off-board charger plugs into this port.

IV. YOUR SCOOTER

REAR SECTION

The manual freewheel lever, the anti-tip wheels, the motor/transaxle assembly (not shown), the electronics module, the batteries (not shown), the main circuit breaker (reset button), the fuses and the ammeter are located on the rear section of your scooter. See figure 6. Refer to VIII. "Disassembly and Assembly" for instructions on removing the rear shroud.

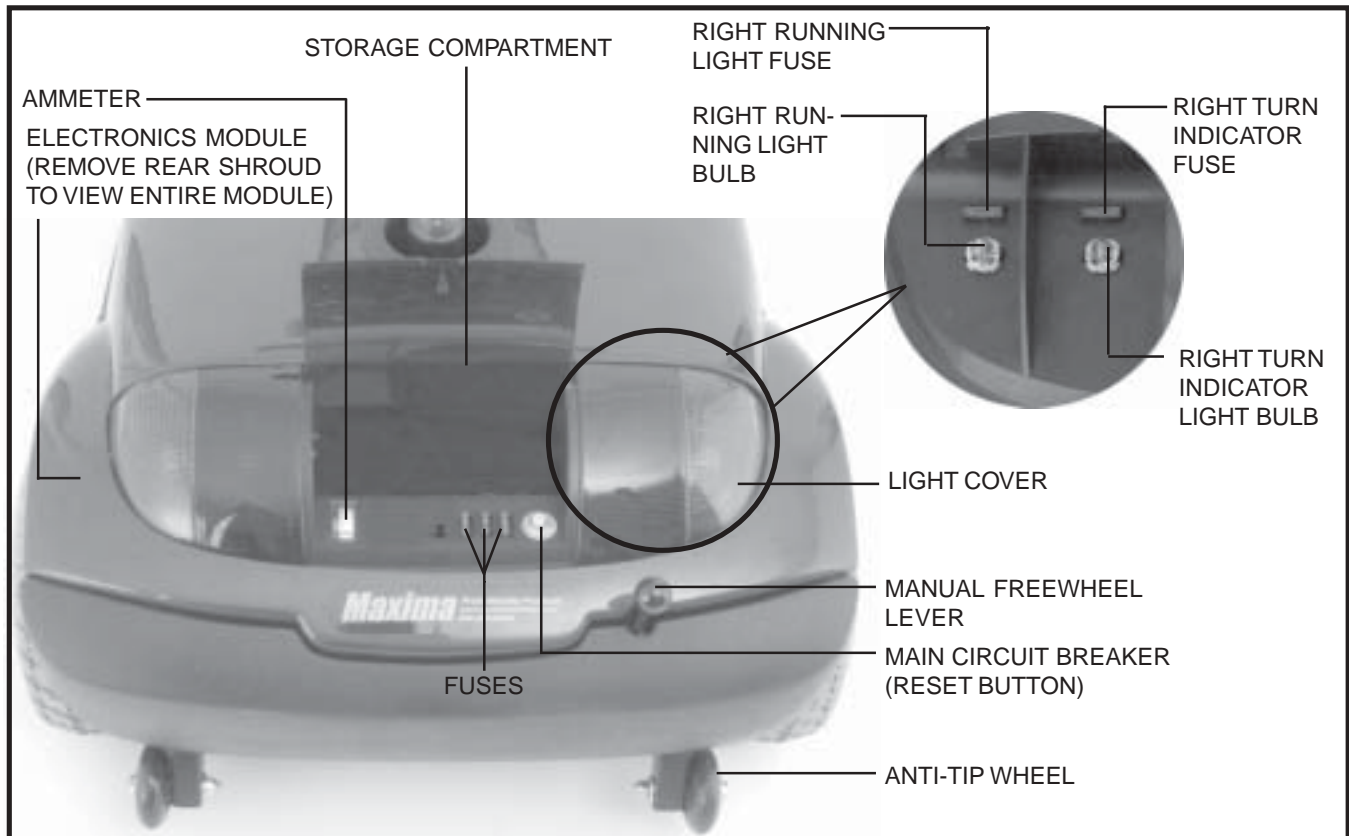


Figure 6. Rear Section

Manual Freewheel Lever

Whenever you need or want to push your scooter for short distances, you can put it in freewheel mode.

- Pull up firmly on the manual freewheel lever to disable the drive system and the brake system.
- You may push your scooter.
- Push down firmly on the manual freewheel lever to reengage the drive system and the brake system and take your scooter out of freewheel mode.



WARNING! When your scooter is in freewheel mode, the braking system is disengaged.

- Disengage the drive motors only on a level surface.
- Ensure the key is removed from the key switch.
- Stand to the side of the scooter to engage or disengage freewheel mode. Never sit on a scooter to do this.
- After you have finished pushing your scooter, always return it to the drive mode to lock the brakes.

Failure to heed the above could result in personal injury and/or damage to your scooter.

IV. YOUR SCOOTER

Anti-Tip Wheels

The front (not shown) and rear anti-tip wheels are an integral and important safety feature of your scooter. Do not, under any circumstances, remove the anti-tip wheels from your scooter.



PROHIBITED! Do not remove the anti-tip wheels or modify your scooter in any way that is not authorized by Pride.

Motor/Transaxle Assembly (Not Shown)

The motor/transaxle assembly is the electromechanical unit that converts the electrical energy of your scooter's batteries into the controlled mechanical energy that drives the scooter's wheels.

Electronics Module

The electronics module houses all of the scooter's harness mating plugs and electronic components for charging the batteries.

Batteries (Not Shown)

The batteries store the electrical energy that powers your scooter. See V. "Batteries and Charging."

Main Circuit Breaker (Reset Button)

When the voltage in your scooter's batteries becomes low or your scooter is heavily strained because of excessive loads or steep inclines, the main circuit breaker may trip to protect your scooter's motor and electronics from damage.

- The main circuit breaker reset button pops out when the breaker trips.
- When the breaker trips, the entire electrical system of your scooter shuts down.
- Allow a minute or two for your scooter's electronics to "rest."
- Push in the reset button to reset the breaker.
- If the breaker trips frequently, you may need to charge your batteries more often. You may also need to have your authorised Pride Dealer perform a load test on your scooter's batteries.
- If the main circuit breaker trips repeatedly, see your authorised Pride Dealer for service.

Fuses

The fuses help protect your scooter's lighting, control console assembly and charging systems from receiving an overload of electrical current. The fuses used in the scooter are the same type automobiles use.

If a fuse must be replaced, use only the specified amp fuse. See X. "Care and Maintenance."

HERCULES DOCKING DEVICE

Your scooter is equipped with a Hercules 3000 docking device. See figure 7. In order to utilize the docking device, it is necessary to purchase an insert (T-bar or Bullnose and C-arm) that, when used with the Hercules 3000, will lift your scooter.

Contact your authorised Pride Dealer for more information about the Hercules 3000 docking device.

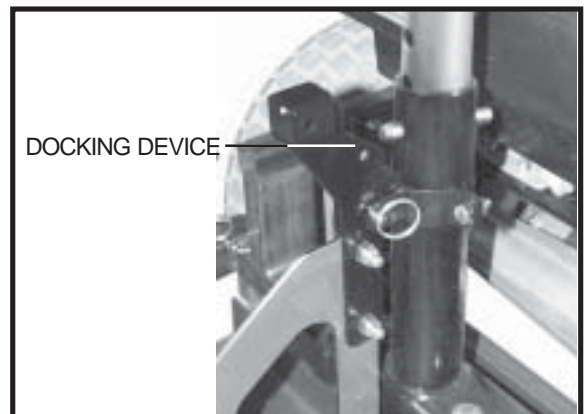


Figure 7. Hercules 3000 Docking Device

V. BATTERIES AND CHARGING

Your scooter requires two long-lasting, 12-volt, deep-cycle batteries that are sealed and maintenance free. They are recharged by an off-board charging system.

- Charge your scooter's batteries prior to using it for the first time.
- Keep the batteries fully charged to keep your scooter running smoothly.

READING YOUR BATTERY VOLTAGE

The battery condition meter on the tiller console indicates the approximate strength of your batteries using a colour code. From right to left, green indicates fully charged batteries, yellow a draining charge and red indicates that an immediate recharge is necessary. See figure 8. To ensure the highest accuracy, the battery condition meter should be checked while operating your scooter at full speed on a dry, level surface.

You can also check the charging status of the batteries by the ammeter, located at the rear of the scooter. The charger power lead must be plugged into a standard electrical outlet in order to obtain a reading. When the amperage reading is at or near zero amps, charging is complete. See figure 9.

CHARGING YOUR BATTERIES

PROHIBITED! Never use an extension lead to plug in your battery charger. Plug the charger directly into a properly wired standard electrical outlet.



PROHIBITED! Removal of the grounding prong can create an electrical hazard. If necessary properly install an approved 3-pronged adaptor to an electrical outlet having 2-pronged plug access. Failure to heed could result in personal injury and or property damage.



WARNING! Ensure that both ends of the charger power lead are clean and dry before plugging the charger power lead into the off-board battery charger port or the electrical outlet.

Follow these easy steps to charge your batteries safely:

1. Position your scooter close to a standard electrical outlet.
2. Remove the key from the key switch.
3. Make certain that the manual freewheel lever is in the drive (down) position.
4. Plug the 3-pin charger power lead into the off-board charger port.
5. Extend the charger power lead and plug it into the electrical outlet.
6. Turn the charger on.
7. When the batteries are fully charged, turn the charger off and unplug the charger power lead from the electrical outlet and then from the off-board charger port.

NOTE: *There is a charger inhibit function on your scooter. The scooter will not run and the battery condition meter will not operate while the batteries are charging.*

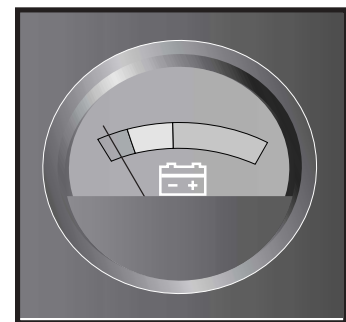


Figure 8. Battery Condition Meter



Figure 9. Ammeter Indicates Batteries Are Fully Charged

V. BATTERIES AND CHARGING

BATTERIES AND CHARGING-FREQUENTLY ASKED QUESTIONS

How does the charger work?

When your scooter's battery voltage is low, the charger works harder and sends more electrical current to the batteries to bring up their charge. As the voltage of the batteries approaches a full charge, the charger sends less and less electrical current to the batteries. When the batteries are fully charged, the current sent to them from the charger is at nearly zero amperage. Therefore, when the charger is plugged in, it maintains the charge on your scooter's batteries, but does not overcharge them. We do not recommend that you charge your scooter's batteries for more than 24 consecutive hours.

What if the scooter's batteries won't charge?

- Be sure the battery cables are connected properly.
- Be sure both ends of the charger lead are inserted fully.
- Examine the charger fuse. If the fuse is blown, the batteries will not charge.

Can I use a different charger?

For the safest, most efficient and balanced charging of your scooter's batteries, we prefer and highly recommend the simultaneous charging of both batteries by use of the supplied battery charger.

How often must I charge the batteries?

Two major factors must be considered when deciding how often to charge your scooter's batteries:

- All day scooter use on a daily basis.
- Infrequent or sporadic scooter use.

With these considerations in mind, you can determine just how often and for how long you should charge your scooter's batteries. We designed the battery charger so that it will not overcharge your scooter's batteries (do not charge them for more than 24 consecutive hours). However, you may encounter some problems if you do not charge your batteries often enough and if you do not charge them on a regular basis. Following the five guidelines below will provide safe and reliable battery operation and charging.

- If you use your scooter daily, charge its batteries as soon as you finish using it for the day. Your scooter will be ready each morning to give you a "full day" of service. We recommend that you charge your scooter's batteries for 8 to 14 hours after daily use.
- If you use your scooter once a week or less, charge its batteries at least once a week for 12 to 14 hours at a time.
- Keep your scooter's batteries fully charged.
- Avoid deeply discharging your scooter's batteries.
- Do not charge your scooter's batteries for more than 24 consecutive hours.

How can I get maximum range or distance per charge?

Rarely will you have ideal driving conditions—smooth, flat, hard driving surfaces with no wind or curves. You will often face hills, pavement cracks, uneven and loosely packed surfaces, curves and wind. All of these driving conditions affect the distance or running time per battery charge. Below are a few suggestions for obtaining the maximum range per battery charge.

- Always fully charge your scooter's batteries prior to your daily use.
- If equipped with pneumatic tyres, maintain **2-2.4 bar (30-35 psi)** in all of your scooter's tyres.
- Plan your route ahead to avoid as many hills, cracked, broken or soft surfaces as possible.
- Limit your baggage weight to essential items.

V. BATTERIES AND CHARGING

- Try to maintain an even speed while your scooter is in motion.
- Avoid stop-and-go driving.

What type and size of battery should I use?

We recommend deep-cycle batteries that are sealed and maintenance free. Both AGM and Gel-Cell are deep-cycle batteries that are similar in performance. Do not use wet-cell batteries, which have removable caps.

NOTE: Do not remove the caps from sealed batteries. Water cannot be added to sealed batteries. Cap removal voids the battery warranty and may cause damage to the batteries and to your scooter.

To change a battery in your scooter:



WARNING! Battery posts, terminals and related accessories contain lead and lead compounds. Wash hands after handling.

1. Remove the seat and the rear shroud. See VIII. "Disassembly and Assembly."
2. Disconnect the battery tie-down straps.
3. Disconnect the battery harnesses from the rear electronics module.
4. Disconnect the battery cables from the battery terminals.
5. Remove the old battery.
6. Place a new battery in the battery well.
7. Connect the red battery cable to the positive (+) battery terminal.
8. Connect the black battery cable to the negative (-) battery terminal.
9. Reconnect the battery harnesses to the rear electronics module.
10. Reconnect the battery tie-down straps.
11. Reinstall the rear shroud and the seat.

NOTE: If you encounter a damaged or cracked battery, immediately enclose it in a plastic bag and call your authorised Pride Dealer for instructions on disposal. Your authorised Pride Dealer will also have the necessary information on battery recycling, which is our recommended course of action.

Why do my new batteries seem weak?

Deep-cycle batteries employ a different chemical technology than is used in car batteries, nickel-cadmium batteries (nicads) or in other common battery types. Deep-cycle batteries are specifically designed to provide power, drain down their charge and then accept a relatively quick recharge.

We work closely with our battery manufacturer to provide batteries that best suit your scooter's specific electrical demands. Fresh batteries arrive daily at Pride and are shipped fully charged to our customers. During shipping, the batteries may encounter temperature extremes that may influence their initial performance. Heat diminishes the charge on the battery; cold slows the available power and extends the time needed to recharge the battery.

It may take a few days for the temperature of your scooter's batteries to stabilize and adjust to their new room or ambient temperature.

More importantly, it takes a few charging cycles (a partial drain followed by a full recharge) to establish the critical chemical balance that is essential to a deep-cycle battery's peak performance and long life.

V. BATTERIES AND CHARGING

Please follow these steps to properly break in your scooter's new batteries for maximum efficiency and service life.

1. Fully recharge any new battery prior to its initial use. This charging cycle brings the battery up to about 88% of its peak performance level.
2. Operate your new scooter in familiar and safe areas. Drive slowly at first and do not travel too far from your home or familiar surroundings until you have become accustomed to your scooter's controls and have properly broken in your scooter's batteries.
3. Fully recharge the batteries. They should be at over 90% of their peak performance level.
4. Operate your scooter again.
5. Fully recharge the batteries again.
6. After four or five charging cycles, the batteries are able to receive a charge of 100% of their peak performance level and are able to last for an extended period of time.

How can I ensure maximum battery life?

Fully charged deep-cycle batteries provide reliable performance and extended battery life. Keep your scooter's batteries fully charged whenever possible. Batteries that are regularly and deeply discharged, infrequently charged or stored without a full charge may be permanently damaged, causing unreliable performance and limited service life.

What about public transport?

If you intend to use public transport with your scooter, you must contact the transportation provider in advance to determine their specific requirements.

VI. OPERATION

BEFORE GETTING ON YOUR SCOOTER

- Have you fully charged the batteries? See V. “Batteries and Charging.”
- Is the manual freewheel lever in the drive (down) position? Never leave the manual freewheel lever pulled up unless you are manually pushing your scooter.

GETTING ONTO YOUR SCOOTER

1. Make certain that the key is removed from the key switch.



WARNING! Never attempt to get onto or off your scooter without first removing the key from the key switch. This will prevent the scooter from moving if accidental throttle control lever contact is made.

2. Stand at the side of your scooter.
3. Push down on the seat lock lever and rotate the seat until it is facing you.
4. Make certain that the seat is locked securely in position.
5. Position yourself comfortably and securely in the seat.
6. Push down on the seat lock lever and rotate the seat until you are facing forward.
7. Make certain that the seat is locked securely in position.
8. Make certain that your feet are safely on the floorboard.

PRE-RIDE ADJUSTMENTS AND CHECKS

- Is the seat at the proper height?
- Is the seat locked securely in place?
- Is the tiller at a comfortable setting and locked securely in place? See VII. “Comfort Adjustments.”
- Is the key fully inserted into the key switch and turned clockwise to the “on” position? See IV. “Your Scooter.”
- Does the scooter’s horn work properly?
- Is your proposed path clear of people, pets and obstacles?
- Have you planned your route to avoid adverse terrain and as many inclines as possible?

OPERATING YOUR SCOOTER

WARNING! The following can adversely affect steering and stability while operating your scooter:



- Holding onto or attaching a leash to walk your pet
- Carrying passengers (including pets)
- Hanging any article from the tiller
- Towing or being pushed by another motorized vehicle

Such practices could cause loss of control and/or tipping resulting in personal injury and/or damage to your scooter.

Keep both hands on the tiller and your feet on the floorboard at all times while operating your scooter. This driving position gives you the most control over your vehicle.

- Set the speed adjustment dial to your desired speed.
- Press your thumb against the appropriate side of the throttle control lever.
- The electromechanical disc park brake automatically disengages and the scooter accelerates smoothly to the speed you preselected with the speed adjustment dial.
- Pull on the left handgrip to steer your scooter to the left.

VI. OPERATION

- Pull on the right handgrip to steer your scooter to the right.
- Move the tiller to the centre position to drive straight ahead.
- To stop, slowly release the throttle control lever. The electronic brakes will automatically engage when your scooter comes to a stop.

NOTE: Your scooter's reverse speed is slower than that of the forward speed you preset with the speed adjustment dial.

GETTING OFF OF YOUR SCOOTER

1. Bring your scooter to a complete stop.
2. **Remove the key from the key switch.**
3. Push down on the seat lock lever and rotate the seat until you are facing toward the side of your scooter.
4. Make certain that the seat is locked securely in position.
5. Carefully and safely get out of the seat and stand to the side of your scooter.
6. You can leave the seat facing to the side to facilitate boarding your scooter next time.

VII. COMFORT ADJUSTMENTS

TILLER ANGLE ADJUSTMENT



WARNING! Remove the key from the key switch before adjusting the tiller or the seat. Never attempt to adjust the tiller or the seat while the scooter is in motion.

Your scooter is equipped with a pivoting tiller that allows adjustment to several positions.

1. Lift the tiller adjustment lever. See figure 10.
2. Move the tiller to a comfortable position.
3. Release the tiller adjustment lever to secure the tiller in position.

SEAT ROTATION ADJUSTMENT

The seat lock lever locks the seat in one of four positions. See figure 11.

1. Push the seat lock lever down to unlock the seat.
2. Rotate the seat to the desired position.
3. Release the seat lock lever to lock the seat securely in place.

FRONT-TO-BACK SEAT ADJUSTMENT

You can reposition the scooter's seat forward or rearward to one of three settings to adjust the distance between the seat and the tiller. See figure 11.

1. Remove the seat from your scooter. See VIII. "Disassembly and Assembly."
2. Remove the four bolts that fasten the seat to the seat platform.
3. Align the seat platform with the desired set of holes on the seat.
4. Install the four bolts securely.

ARMREST WIDTH ADJUSTMENT

The armrests can be adjusted inward or outward. See figure 11A.

1. Loosen the armrest adjustment knobs at the back of the seat frame.
2. Slide the armrests in or out to the desired width.
3. Tighten the armrest adjustment knobs.

The armrests also pivot upward to make getting onto and off of your scooter easier.

ARMREST HEIGHT ADJUSTMENT

The height of both armrests can be adjusted upward or downward. See figure 11A.

1. Remove the detent pin.
2. Raise or lower the armrest.
3. Reinsert the detent pin through the adjustment holes of the upper and lower posts.

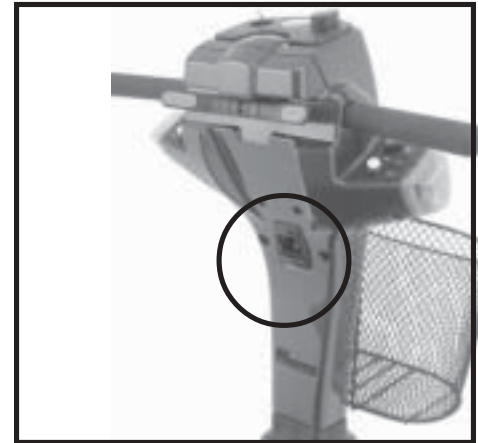


Figure 10. Tiller Adjustment Lever

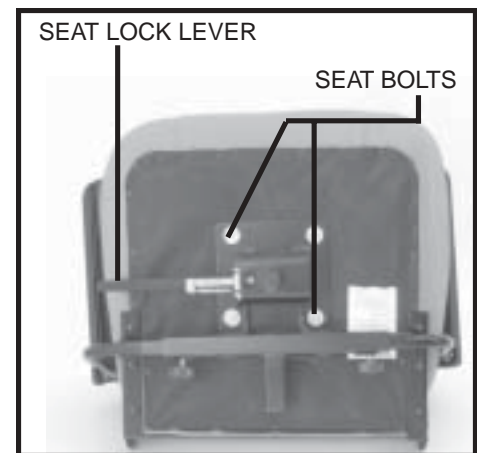


Figure 11. Seat Adjustments

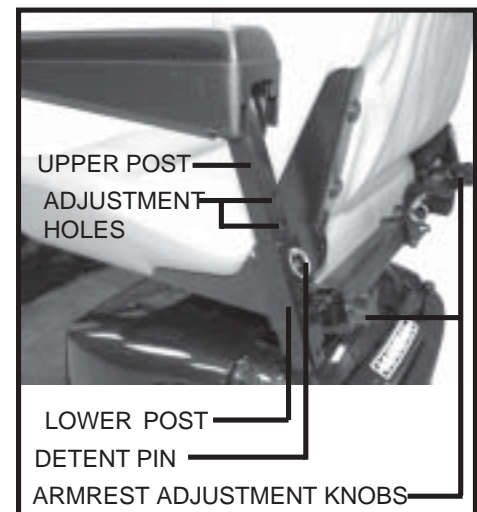


Figure 11A. Armrest Adjustments

VII. COMFORT ADJUSTMENTS

SEATBACK ADJUSTMENT

The seatback may be positioned to four different angles: 90°, 100°, 102° and 105°. See figure 12.

To adjust the seatback angle:

1. Loosen and remove the adjustment screws from the seatback hinge on both sides of the seat.
2. Reposition the seatback to the desired angle.
3. Align the adjustment holes from the upper and lower hinge, so the adjustment screw can easily pass through.
4. Reinsert both adjustment screws and tighten.

SEAT HEIGHT ADJUSTMENT

The seat can be repositioned to different heights. See figure 13.

1. Remove the seat and rear shroud from your scooter. See IX. "Disassembly and Assembly."
2. Loosen the nut and remove it from the bolt, and remove the bolt and washers from the lower seat post.
3. Raise or lower the upper seat post to the desired seat height.
4. While holding the upper seat post at that height, match up the holes in the upper seat post with those of the lower seat post.
5. Reinstall the bolt, washers and nut to secure the seat post.

NOTE: *Ensure both washers have been reinstalled before fully tightening the nut.*

6. Reinstall the rear shroud and the seat.

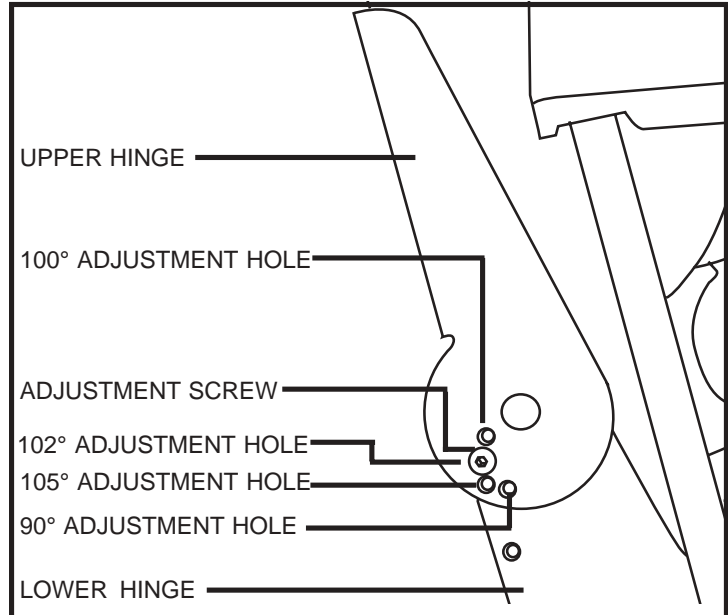


Figure 12. Seatback Hinge

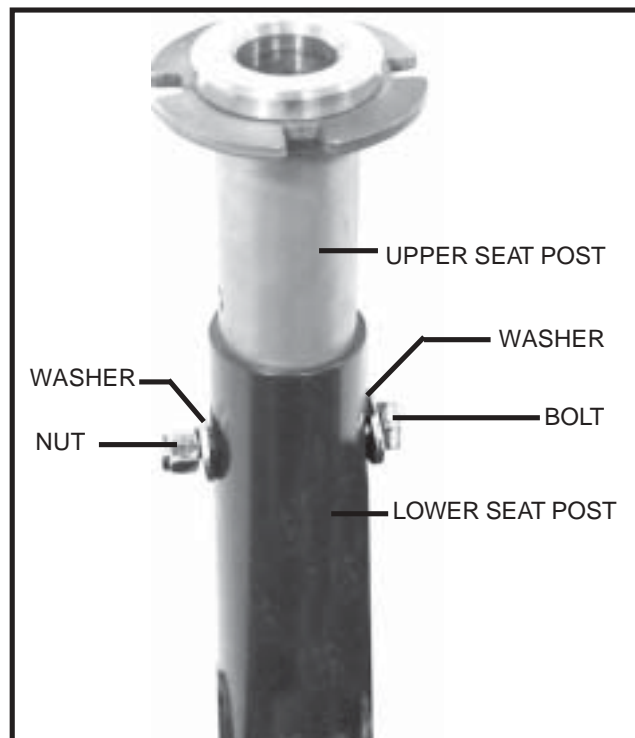


Figure 13. Seat Height Adjustment

VII. COMFORT ADJUSTMENTS

POWER SEAT (OPTIONAL)

Your scooter may be equipped with a power seat. The power seat actuator is designed to raise or lower the seat automatically with minimal effort on the part of the operator. See figure 14. The power seat switch is located on the lower tiller just above the off-board charger port.

Operating your power seat:

1. Release the throttle control lever.
2. Ensure your scooter is level and stationary.
3. Set the speed adjustment dial to the slowest setting
4. Toggle the power seat switch located on the tiller console to the “on” position.
5. To raise the power seat, operate your throttle lever in the forward direction.
6. Release the throttle control lever when you have attained your desired height.
7. To lower the power seat, operate your throttle lever in the reverse direction.
8. Ensure your seat is in the lowest position and that you have fully released the throttle control lever.
9. Toggle “off” the power seat switch before you attempt to drive your scooter again.

WARNING! The power seat is intended for operation only while your scooter is stationary and on a level surface. Its purpose is to aid you in reaching objects.

Strict adherence to the following safety rules is vital to your safety:



- Operate the power seat only on level ground.
- Do not attempt to operate the power seat switch with the throttle control lever depressed.
- Do not attempt to raise or lower the seat while in motion!
- Do not drive your scooter unless the power seat is fully retracted (in lowest position).
- It is recommended that the scooter be driven only with the seat in the lowest position.



Figure 14. Power Seat Actuator

VIII. DISASSEMBLY AND ASSEMBLY

DISASSEMBLY

You can disassemble the scooter into seven pieces: the seat, the front section, the rear section, the rear shroud, the basket, and the batteries. See figure 15. No tools are required to disassemble or assemble your scooter, but keep in mind that the disassembled sections of the scooter take up more floor space than the assembled unit. Always disassemble or assemble your scooter on a level, dry surface with sufficient room for you to work and move around your scooter—about 2 meters (5 feet) in all directions. Remember that some scooter components are heavy and you may need assistance when lifting them.

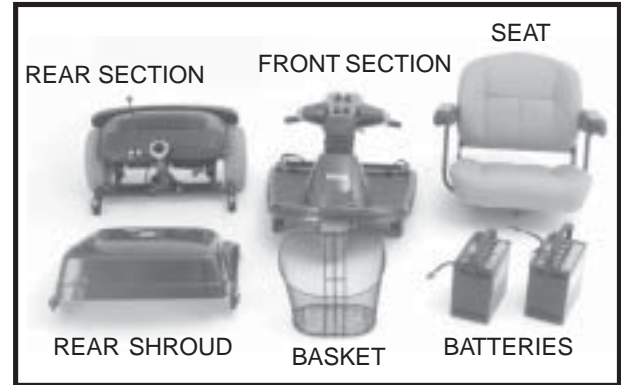


Figure 15. The Scooter Disassembled



WARNING! Lifting weight beyond your physical capability may result in personal injury. Ask for assistance when necessary while disassembling or assembling your scooter.

To disassemble the scooter:

1. Place the manual freewheel lever in the drive (down) position.
2. Lift the seat straight up and off the scooter. See figure 16.
3. Gently lift the rear shroud off of the scooter. See figure 17.
4. Disconnect the battery tie-down strap that holds the batteries in place.
5. Unplug both black and white 2-pin battery harnesses. See figure 18.
6. Unplug the front-to-rear harness from its mating plug. See figure 19.



WARNING! Failure to unplug both battery harnesses and the front-to-rear harness prior to frame separation could result in permanent damage to the scooter.



Figure 16. Seat Removal



Figure 17. Rear Shroud Removal



Figure 18. Disconnecting The Battery Harnesses



Figure 19. Disconnecting The Front-To-Rear Harness

VIII. DISASSEMBLY AND ASSEMBLY

NOTE: *There is no need to disconnect the motor harness when disassembling the scooter. See figure 20.*

8. Lift both batteries off the scooter. See figure 21.
9. Push the locking cam levers forward to the unlocked position and remove the ball detent pins. See figures 22 and 23.
10. Remove the frame handle ball detent pin. See figure 24.
11. Gently slide the two sections of the scooter apart. See figure 25.
12. Grab the hand grip on the tiller, pull upward on the tiller adjustment lever, and fully lower the tiller down to the centre of the scooter chassis.

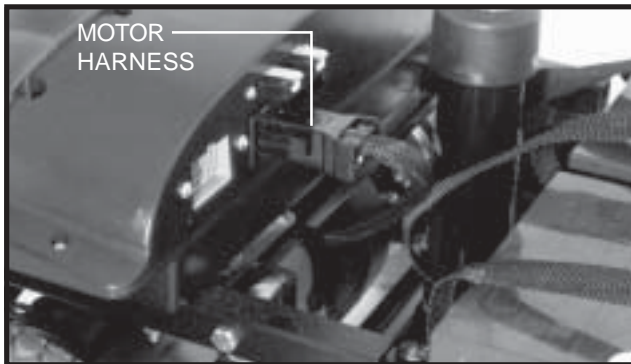


Figure 20. Motor Harness

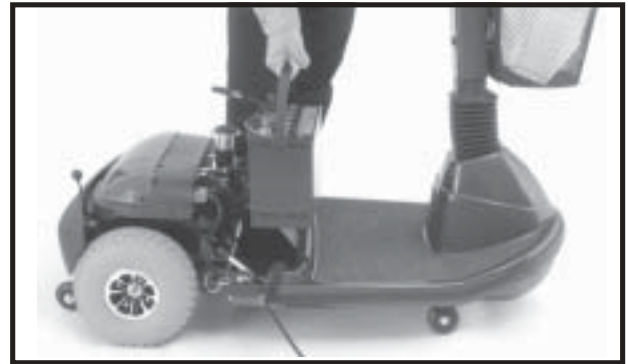


Figure 21. Battery Removal

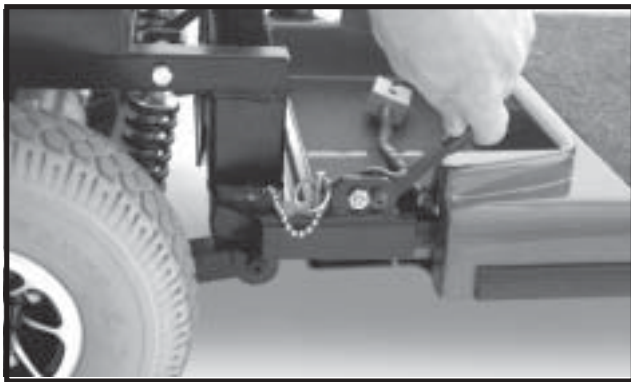


Figure 22. Locking Cam Levers (Unlocked Position)

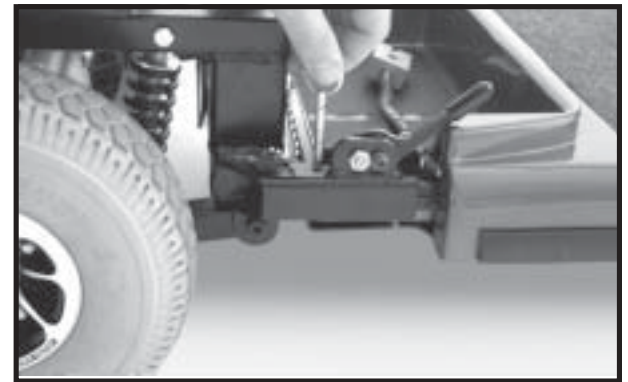


Figure 23. Frame Lock-up Ball Detent Pins

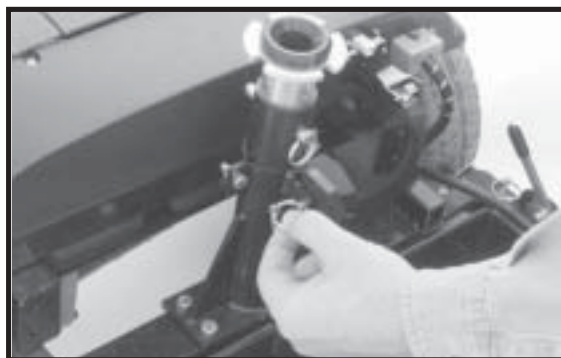


Figure 24. Frame Handle Ball Detent Pin



Figure 25. Frame Separation

VIII. DISASSEMBLY AND ASSEMBLY

ASSEMBLY

NOTE: *Raise the tiller before starting to reassemble the scooter.*

1. Place the manual freewheel lever in the drive (down) position.
2. Position the front and rear sections next to each other.
3. Tilt the rear end to a horizontal position and insert the longer tube of the front end into the rear section first; make sure that the locking cam levers are in the unlocked (forward) position and the ball detent pins are removed.
4. Slide the two sections of the unit together until the front half reaches its insertion limit.
5. Secure the front and rear sections with the ball detent pins.
6. Push the locking cam levers back to their locked (upward) position.
7. Replace the frame handle ball detent pin.
8. Plug the front-to-rear harness into its mating plug.
9. Put the batteries in place and plug both black and white 2-pin battery harnesses into their mating plugs.
10. Reconnect the battery tie-down strap.
11. Reinstall the rear shroud.
12. Reinstall the seat.
13. Rotate the seat until it locks into place.

IX. BASIC TROUBLESHOOTING

Any electromechanical device occasionally requires some troubleshooting. However, most of the problems that may arise can usually be solved with a bit of thought and common sense. Many of these problems occur because the batteries are not fully charged or because the batteries are worn down and can no longer hold a charge.

DIAGNOSTIC FLASH CODES

The diagnostic flash codes for your scooter are designed to help you perform basic troubleshooting quickly and easily. A diagnostic flash code flashes from the status LED in the event one of the conditions listed below develops.

NOTE: *Your scooter will not run unless the flash code condition is resolved and the scooter has been turned off, then turned back on.*

FLASH CODE	CONDITION	SOLUTION
■ ■ ■ ■ ■	Batteries are too low to operate the Maxima or the charger is operating.	Charge batteries or unplug the charger power lead from the electrical outlet.
■ ■	Controller is hot; the Maxima seems to be losing power.	Shut down your Maxima for several minutes to allow the controller to cool.
■ ■ ■ ■	Wigwag fault; your throttle control lever is not responding.	Call your authorised Pride Dealer for assistance.
■ ■ ■ ■ ■	The manual freewheel lever is in the (up) freewheel position.	Turn the Maxima key to the off position, then push the manual freewheel lever to the (down) drive position, restart your Maxima.
■ ■ ■ ■ ■ ■	The Maxima is operating with the charger attached.	Unplug the charger power lead from the off-board charger port.

What if all the systems on my scooter seem to be “dead”?

- Make certain that the key is in the “on” position.
- Check that the batteries are fully charged. See V. “Batteries and Charging.”
- Push in the main circuit breaker reset button. See IV. “Your Scooter”
- Make certain that both battery harnesses are firmly connected to the electronics module and to the battery terminals. See VIII. “Disassembly and Assembly.”
- Make sure that the front-to-rear harness is firmly connected to the electronics module. See VIII. “Disassembly and Assembly.”
- Check the fuses. See X. “Care and Maintenance” for fuse replacement.
- Be sure the power down timer feature has not been activated. See below.

POWER DOWN TIMER FEATURE

Your scooter is equipped with an energy saving automatic power down timer feature designed to preserve your scooter’s battery life. If you mistakenly leave the key in the key switch and in the “on” position but do not use your scooter for approximately 20 minutes, the scooter’s controller shuts down automatically. Although the controller is shut down and the scooter will not move, power will still be supplied to the scooter’s lighting system.

If the power down timer feature takes effect, perform the following steps to resume normal operation.

1. Turn the key to the “off” position.
2. Turn the key back to the “on” position.

IX. BASIC TROUBLESHOOTING

What if the motor runs but my scooter does not move?

- With the key turned to the “on” position, check the status LED. If the LED flashes three times, pauses briefly, then flashes two times, this is the manual freewheel lever code meaning your scooter is in freewheel mode.
- When the manual freewheel lever is pulled up, the brakes are disengaged and all power to the transaxle is cut.
- Push down the manual freewheel lever to restore normal operation to your scooter. See IV. “Your Scooter.”

What if the main circuit breaker repeatedly trips?

- Charge the scooter’s batteries more frequently. See V. “Batteries and Charging.”
- If the problem continues, have both of your scooter’s batteries load tested by your authorised Pride Dealer.
- You may also perform the load test yourself. Battery load testers are available at most automotive parts stores.
- Follow the directions supplied with the load tester.
- See V. “Batteries and Charging” or III. “Specifications” for information about your scooter’s battery type.

What if the battery condition meter dips way down and the motor surges or hesitates when I press my scooter’s throttle control lever?

- Fully charge your scooter’s batteries. See V. “Batteries and Charging.”
- Have your authorised Pride Dealer load test each battery.
- Or, see the previous troubleshooting question for load testing the batteries yourself.

If you experience any problems with your scooter that you are not able to solve, immediately contact your authorised Pride Dealer for information, maintenance and service.

X. CARE AND MAINTENANCE

Your scooter requires a minimal amount of care and maintenance. If you do not feel confident in your ability to perform the maintenance listed below, you may schedule inspection and maintenance at your authorized Pride Dealer. The following areas require periodic inspection and/or care and maintenance.

TYRE PRESSURE

- If equipped with pneumatic tyres, always maintain a proper **2-2.4 bar (30-35 psi)** tyre pressure.



WARNING! It is important that 2-2.4 bar (30-35 psi) tyre pressure be maintained in pneumatic tyres at all times. Do not underinflate or overinflate your tyres. Low pressure may result in loss of control, and overinflated tyres may burst. Failure to maintain 2-2.4 bar (30-35 psi) tyre pressure in pneumatic tyres at all times may result in tyre and/or wheel failure, causing serious personal injury and/or damage to your scooter.

- Regularly inspect your scooter's tyres for signs of wear.

WHEEL REPLACEMENT

If your scooter is equipped with pneumatic tyres and you have a flat tyre, you can have the tube replaced. If your scooter is equipped with a solid tyre insert, either the solid insert or the entire wheel must be replaced depending on model. Contact your authorized Pride Dealer for information regarding replacement wheels for your scooter.



WARNING! Prevent personal injury! Completely deflate pneumatic tyres before dismantling the rim or attempting repair.

EXTERIOR SURFACES

Bumpers, tyres, and trim can benefit from an occasional application of rubber or vinyl conditioner.



WARNING! Do not use a rubber or vinyl conditioner on the scooter's vinyl seat, floorboard, or tyre tread. They will become dangerously slippery and result in personal injury and/or damage to your scooter.

BATTERY TERMINAL CONNECTIONS

- Make certain that the terminal connections remain tight and uncorroded.
- The batteries must sit flat in the battery wells.
- The battery terminals should face the rear of the scooter.

WIRING HARNESSES

- Regularly check all wiring connections.
- Regularly check all wiring insulation, including the charger power lead, for wear or damage.
- Have your authorized Pride Dealer repair or replace any damaged connector, connection, or insulation that you find before using your scooter again.

ABS PLASTIC SHROUDS

- The front tiller shroud, front shroud, and the rear shroud are formed from durable ABS plastic and are coated with an advanced formula urethane paint.
- A light application of car wax will help the shrouds retain their high gloss.

X. CARE AND MAINTENANCE

AXLE BEARINGS AND THE MOTOR/TRANSAXLE ASSEMBLY

These items are all prelubricated, sealed, and require no subsequent lubrication.

MOTOR BRUSHES

The motor brushes are housed inside of the motor transaxle/assembly. They should be inspected periodically for wear by your authorised Pride Dealer.

CONSOLE, CHARGER, AND REAR ELECTRONICS

- Keep these areas free of moisture.
- Allow these areas to dry thoroughly if they have been exposed to moisture before operating your scooter again.

FUSE REPLACEMENT

In the event a fuse should cease to work:

1. Remove the fuse by pulling it out of its slot.
2. Examine the fuse to be sure it is blown. See figures 26 and 27.
3. Insert a new fuse of the proper rating.

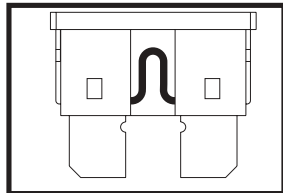


Figure 26. Working Fuse

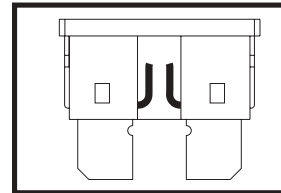


Figure 27. Blown Fuse (Replace)



WARNING! The replacement fuse must exactly match the rating of the new fuse. Failure to use properly rated fuses may cause damage to the electrical system and may result in personal injury.

LIGHT BULB REPLACEMENT

The scooter's light bulbs are easily replaceable. Do not use regular automotive-type 12-volt light bulbs; your scooter is equipped with a 24-volt electrical system. Replacement light bulbs can be purchased from your authorised Pride Dealer.

NOTE: Use only 24 volt light bulbs.

1. Remove the light cover.
2. Gently remove the bulb by pulling it straight out.
3. Insert a new bulb of the same wattage.
4. Replace the light cover.

NYLON LOCK NUT REPLACEMENT

Any nylon insert lock nut removed during the periodic maintenance, assembly or disassembly of the scooter must be replaced with a new nut. Nylon insert lock nuts should not be reused as it may cause damage to the nylon insert, resulting in a less secure fit. Replacement nylon insert lock nuts are available at local hardware stores or through your authorised Pride Dealer.

X. CARE AND MAINTENANCE

STORING YOUR SCOOTER

If you plan on not using your scooter for an extended period of time, it is best to:

- Fully charge its batteries prior to storage.
- Disconnect the batteries from the scooter.
- Store your scooter in a warm, dry environment.
- Avoid storing your scooter where it will be exposed to temperature extremes.



WARNING! Always protect batteries from freezing temperatures and never charge a frozen battery. This damages the battery and can cause personal injury.

For prolonged storage, you may wish to place several boards under the frame of your scooter to raise it off of the ground. This takes the weight off the tyres and reduces the possibility of flat spots developing on the areas of the tyres contacting the ground.

XI. WARRANTY

LIFETIME WARRANTY

Structural frame components, including: platform, fork, seat post and frame welds.

TWO-YEAR LIMITED WARRANTY

Drivetrain, including: transaxle, motor and brake.

ONE-YEAR LIMITED WARRANTY

All electrical parts, including controllers and battery chargers, are covered for one year under warranty. Any attempt to open or dismantle these parts will lead to this warranty being void.

BATTERIES

Batteries are covered by a twelve-month warranty from the original manufacturer.

NOT COVERED UNDER WARRANTY

The following are classed as wear items, which may, under normal wear and tear, require replacing. These items are not therefore covered under warranty: tyres, lap belts, bulbs, upholstery, plastic shrouds, motor brushes and fuses. Warranty will also be refused if damage is deemed to have been caused through misuse or accident for which Pride Mobility Products Ltd. cannot be deemed responsible.

NOTE: Pride Mobility Products Ltd. provides parts only under warranty. Your Pride Dealer is responsible for labour and service. Please contact your Pride Dealer for information about these services and for any applicable charges.



Pride
Mobility Products Ltd.

**Unit 106, Heyford Park Camp Road
Upper Heyford, Oxfordshire OX25 5HA**

www.pridemobility.com

* I NFMANU2203 *