

Legend Classic

Owner's Manual

ATTENTION:
Read everything
in this manual
before operating
your scooter



Legend Classic 3-Wheel Scooter



Legend Classic 4-Wheel Scooter

The Ultimate In Style & Performance[®]

Pride
Mobility Products Ltd.

*Unit 106, Heyford Park Camp Road
Upper Heyford, Oxfordshire OX25 5HA*

www.pridemobility.com

SAFETY GUIDELINES

Please read and follow all instructions in this owner's manual before attempting to operate your scooter for the first time. If there is anything in this manual you do not understand, or if you require additional assistance for set-up, contact your authorised Pride provider.

Using your Pride product safely depends upon your diligence in following the warnings, cautions, and instructions in this owner's manual. Using your Pride product safely also depends upon your own good judgement and/or common sense, as well as that of your provider, caregiver, and/or healthcare professional. Pride is not responsible for injuries and/or damage resulting from any person's failure to follow the warnings, cautions, and instructions in this owner's manual. Pride is not responsible for injuries and/or damage resulting from any person's failure to exercise good judgement and/or common sense.

The symbols below are used throughout this owner's manual to identify warnings and cautions. It is very important for you to read and understand them completely.



WARNING! Failure to heed the warnings in this owner's manual may result in personal injury.



CAUTION! Failure to heed the cautions in this owner's manual may result in damage to your scooter.

CONTENTS

I. INTRODUCTION	4
II. SAFETY	6
III. SPECIFICATIONS	15
IV. YOUR LEGEND CLASSIC	17
V. BATTERIES AND CHARGING	21
VI. OPERATION	25
VII. COMFORT ADJUSTMENTS	26
VIII. DISASSEMBLY AND ASSEMBLY	29
IX. OPTIONAL ACCESSORIES	32
X. BASIC TROUBLESHOOTING	33
XI. CARE AND MAINTENANCE	34
XII. WARRANTY	36



LEGEND CLASSIC 3-WHEEL



LEGEND CLASSIC 4-WHEEL

I . I N T R O D U C T I O N

Welcome to Pride Mobility Products Ltd. (Pride). Congratulations on the purchase of your new Pride Scooter. Your scooter design combines the most advanced state-of-the-art components with modern, attractive styling. We are certain that the design features and trouble-free operation will add convenience to your daily living and ensure complete satisfaction.

At Pride, your safety is important to us. **Please read and follow all of the instructions in this manual before you attempt to operate your scooter for the first time.** These instructions were produced for your benefit. Your understanding of these instructions is essential for the safe operation of your new Pride Scooter.

Pride is not liable for damage to property or personal injury arising out of the unsafe use of a Pride Scooter. Pride is also not liable for any property damage or personal injury arising out of the failure of any person and or/user to following the instructions and recommendations set forth in this manual or any other instructions or recommendations contained in other scooter related literature issued by Pride or contained on the Pride Scooter itself.

This owner's manual is compiled from the latest specifications and product information available at the time of publication. We reserve the right to make changes as they become necessary. Any changes to our products may cause slight variations between the illustrations and explanations in this manual and the product you have purchased.

If you experience any problems with your scooter that you are unable to solve, or if you do not feel capable of safely following any of the instructions and/or recommendations contained in this manual, please contact your authorised Pride provider for assistance.

Once you understand how to operate and take care of your scooter, we are certain that it will give you years of trouble-free service and enjoyment.

Information Exchange

We want to hear your questions, comments, and suggestions regarding this manual. We would also like to hear about the safety and reliability of your new Pride Scooter and the service you received from your authorised Pride provider.

Please notify us of any change of address so we can keep you apprised of important information regarding safety, new products, and new options that can increase your ability to use and enjoy your Pride Scooter. Please feel free to write us at the address below:

Pride Mobility Products Ltd.
Unit 106, Heyford Park Camp Road
Upper Heyford, Oxfordshire, OX25 5HA

I . I N T R O D U C T I O N

My Authorised Pride Provider Is:

Name: _____

Address: _____

Phone Number: _____

Quick Reference Information:

Scooter Model: _____

Serial Number: _____

Purchase Date: _____

NOTE: If you ever lose or misplace your product registration card or this owner's manual, write or e-mail us and we will be glad to send you a new one immediately.

II. SAFETY

GENERAL



WARNING! Do not operate your new scooter for the first time without completely reading and understanding this owner's manual.

Your Legend Classic is a state-of-the-art life-enhancement device designed to increase mobility. Pride provides an extensive variety of products to best fit the individual needs of the scooter user. Please be aware that the final selection and purchasing decision regarding the type of scooter to be used is the responsibility of the scooter user who is capable of making such a decision and his/her healthcare professional (i.e., medical doctor, physical therapist, etc.).

The contents of this manual are based on the expectation that a mobility device expert has properly fitted the scooter to the user and has assisted the prescribing healthcare professional and/or the authorised Pride provider in the instruction process for the use of the product.

There are certain situations, including some medical conditions, where the scooter user will need to practice operating the scooter in the presence of a trained attendant. A trained attendant can be defined as a family member or care professional specially trained in assisting a scooter user in various daily living activities.

As you begin using your scooter during daily activities, you will probably encounter situations in which you will need some practice. Simply take your time and you will soon be in full and confident control as you maneuver through doorways, on and off lifts, up and down ramps, and over moderate terrain.

Below are some precautions, tips, and other safety considerations that will help the user become accustomed to operating the Legend Classic safely.

MODIFICATIONS

Pride has designed and engineered your Legend Classic to provide maximum mobility and utility. A wide range of accessories is available from your authorised Pride provider to further customize your scooter to better suit your needs and/or preferences. However, under no circumstances should you modify, add, remove, or disable any feature, part, or function of your Legend Classic.



WARNING! Do not modify your scooter in any way not authorised by Pride. Unauthorised modifications may result in personal injury and/or damage to your scooter.

REMOVABLE PARTS



WARNING! Do not attempt to lift or move your scooter by any of its removable parts. Personal injury and damage to the scooter may result.

II. SAFETY

PRE-RIDE SAFETY CHECK

Get to know the feel of your Legend Classic and its capabilities. Pride recommends that you perform a safety check before each use to make sure your scooter operates smoothly and safely. For details on how to perform these necessary inspections, see XI. "Care and Maintenance."

Perform the following inspections prior to using your Legend Classic:

- Check for proper tyre inflation (if equipped with pneumatic tyres).
- Check all electrical connections. Make sure they are tight and not corroded.
- Check all harness connections (battery, front-to-rear). Make sure they are secured properly.
- Check the brakes.
- Check battery charge.

If you discover a problem, contact your authorised Pride provider for assistance.

TYRE INFLATION

If your scooter is equipped with pneumatic tyres, you should check or have the air pressure checked at least once a week. Proper inflation pressures will prolong the life of your tyres and help ensure the smooth operation of your scooter.



WARNING! It is critically important that 30-35 psi (2-2.5 bar) tyre pressure be maintained in pneumatic tyres at all times. Failure to maintain 30-35 psi (2-2.5 bar) tyre pressure in pneumatic tyres at all times may result in catastrophic tyre and/or wheel failure, causing serious personal injury and/or damage to your scooter.

WARNING! Inflate your scooter drive tyres from a regulated air source with an available pressure gauge. Maximum air pressure for scooter drive tyres is 30-35 psi (2-2.5 bar). Inflating your tyres from an unregulated air source could overinflate them, resulting in a burst tyre and/or personal injury.

WEIGHT LIMITATIONS

Your Legend Classic is rated for a 159 kg, 25 stone (350-lb.) maximum weight limit.



WARNING! Exceeding the weight limit voids your warranty and may result in personal injury and damage to your scooter. Pride will not be held responsible for injuries and/or property damage resulting from failure to observe weight limitations.

WARNING! Do not carry passengers on your Legend Classic. Carrying passengers may result in personal injury and/or property damage.

INCLINE INFORMATION

More and more buildings have ramps with specified degrees of inclination, designed for easy and safe access. Some ramps may have turning switchbacks (180-degree turns) that require you to have good cornering skills on your scooter.

- Proceed with extreme caution as you approach the downgrade of a ramp or other incline.
- Take wide swings with your scooter's front wheel(s) around any tight corners. If you do that, the scooter's rear wheels will follow a wide arc, not cut the corner short, and not bump into or get hung up on any railing corners.
- When driving down a ramp, keep the scooter's speed adjustment set to the slowest speed setting to ensure a safely controlled descent. See IV. "Your Legend Classic."
- Avoid sudden stops and starts.

II. SAFETY

When climbing an incline, try to keep your scooter moving. If you must stop, start up again slowly, and then accelerate cautiously. When driving down an incline, do so by setting the speed adjustment dial to the slowest setting and driving in the forward direction only. If your scooter starts to move down the incline faster than you anticipated or desired, allow it to come to a complete stop by releasing the throttle control lever. Then push the throttle control lever forward slightly to ensure a safely controlled descent.

WARNING! When climbing an incline, do not zigzag or drive at an angle up the face of the incline. Drive your scooter straight up the incline. This greatly reduces the possibility of a tip or a fall. Always exercise extreme caution when negotiating an incline.



WARNING! You should not travel up or down a potentially hazardous incline (i.e., areas covered with snow, ice, cut grass, or wet leaves).

WARNING! When on any sort of an incline or decline, never place the scooter in freewheel mode while seated on it or standing next to it.

Other inclines may be natural or, if man-made, not designed specifically for scooters. Figures 1 and 1A illustrate your scooter's stability and its ability to climb grades under various weight loads and under controlled testing conditions.

These tests were conducted with the scooter's seat in the highest position and adjusted rearward on the seat base to its farthest rearward position. Use this information as a guideline. Your scooter's ability to travel up inclines is affected by your weight, your scooter's speed, your angle of approach to the incline, and your scooter setup.

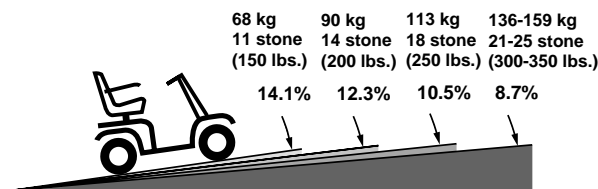


FIGURE 1. MAXIMUM RECOMMENDED INCLINE ANGLE 3-WHEEL

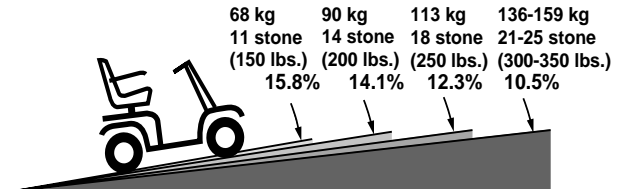


FIGURE 1A. MAXIMUM RECOMMENDED INCLINE ANGLE 4-WHEEL



WARNING! Any attempt to climb or descend a slope steeper than what is shown in figures 1 and 1A may put your scooter in an unstable position and cause it to tip, resulting in personal injury.



WARNING! Never carry an oxygen tank weighing more than 6 kg (13 lbs.) Never fill the rear basket with contents exceeding 7 kg (15 lbs.).

II. SAFETY

When you approach an incline, it is best to lean forward. See figures 2 and 2A. This shifts the center of gravity of you and your scooter toward the front of the scooter for improved stability.



WARNING! Do not exceed the incline guidelines or any other specifications presented in this manual.



FIGURE 2. NORMAL DRIVING POSITION

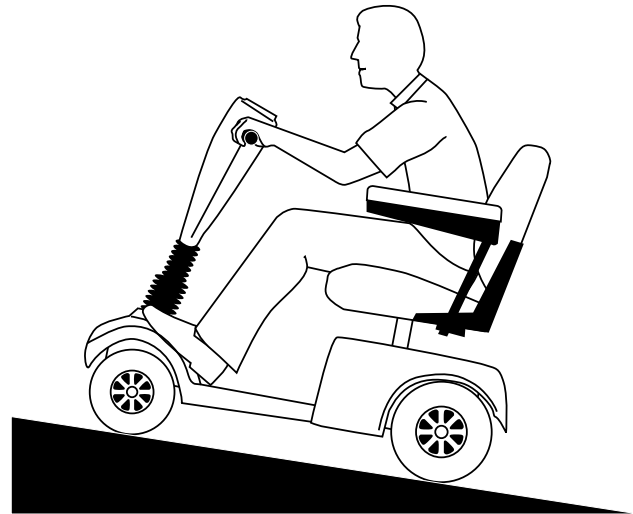


FIGURE 2A. INCREASED STABILITY DRIVING POSITION

CORNERING INFORMATION

Excessively high cornering speeds can create the possibility of tipping. Factors which affect the possibility of tipping include, but are not limited to, cornering speed, steering angle (how sharply you are turning), uneven road surfaces, inclined road surfaces, riding from an area of low traction to an area of high traction (such as passing from a grassy area to a paved area – especially at high speed while turning), and abrupt directional changes. High cornering speeds are not recommended. If you feel that you may tip over in a corner, reduce your speed and steering angle (i.e., lessen the sharpness of the turn) to prevent your scooter from tipping.



WARNING! When cornering sharply, reduce your speed. When using your scooter at higher speeds, do not corner sharply. This greatly reduces the possibility of a tip or fall. To avoid personal injury or property damage, always exercise common sense when cornering.

BRAKING INFORMATION

Your scooter is equipped with two powerful brake systems:

1. Regenerative: Uses electricity to rapidly slow the vehicle when the throttle control lever returns to the center/stop position.
2. Disc Park Brake: Activates mechanically after regenerative braking slows the vehicle to near stop, or when power is removed from the system for any reason.

II. SAFETY

OUTDOOR DRIVING SURFACES

Your Legend Classic is designed to provide optimum stability under normal driving conditions—dry, level surfaces composed of concrete, blacktop, or asphalt. However, Pride recognizes that there will be times when you will encounter other surface types. For this reason, your scooter is designed to perform admirably on packed soil, grass, and gravel. Feel free to use your scooter safely on lawns and in park areas.

- Reduce your scooter's speed when driving on uneven terrain and/or soft surfaces.
- Avoid tall grass that can become tangled in the running gear.
- Avoid loosely packed gravel and sand.
- If you feel unsure about a driving surface, avoid that surface.

STATIONARY OBSTACLES (STEPS, KERBS, ETC.)

WARNING! Do not drive near raised surfaces, unprotected ledges, and/or drop-offs (kerbs, porches, stairs, etc.).

WARNING! Do not attempt to have your scooter climb or descend an obstacle that is inordinately high. Serious personal injury and/or damage may result.



WARNING! Do not attempt to have your scooter proceed rearward down any step, kerb, or other obstacle. This may cause the scooter to tip and cause personal injury.

WARNING! Be sure your scooter is traveling perpendicular to any kerb you may be required to ascend or descend. See figures 3 and 3A.

WARNING! Do not attempt to negotiate a kerb that has a height greater than 5 cm (2 in).

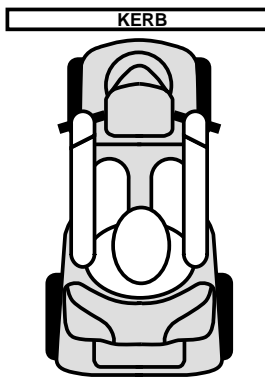


FIGURE 3. CORRECT KERB APPROACH

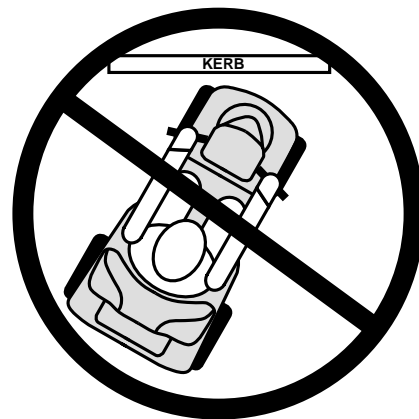


FIGURE 3A. INCORRECT KERB APPROACH

II. SAFETY

STREETS AND ROADWAYS



WARNING! You should not operate your scooter on public streets and roadways. Be aware that it may be difficult for traffic to see you when you are seated on your scooter. Obey all local pedestrian traffic rules. Wait until your path is clear of traffic, and then proceed with extreme caution.

NOTE: Safety accessories like fluorescent flags are available to order from your authorised Pride provider.

INCLEMENT WEATHER PRECAUTIONS



WARNING! Pride recommends that you do not operate your scooter in icy or slippery conditions or on salted surfaces (i.e., walks or roads). Such use may result in an accident, personal injury, or adversely affect the performance and safety of your scooter.

WARNING! Pride recommends that you do not expose your scooter to any type of moisture at any time (rain, snow, mist, or wash). Such exposure can damage your scooter. Never operate your scooter if it has been exposed to moisture until it has dried thoroughly.

FREEWHEEL MODE

Your scooter is equipped with a manual freewheel lever that, when pulled up, allows the scooter to be pushed. For more information about how to place your scooter into and out of freewheel mode, see IV. “Your Legend Classic.”



WARNING! Do not use your scooter in freewheel mode without an attendant present. Personal injury may result.

WARNING! Do not attempt to place your scooter in freewheel mode while seated on it. Personal injury may result. Ask an attendant for assistance if necessary.

WARNING! Do not place your scooter in freewheel mode while on an incline. The scooter could roll uncontrollably on its own, causing personal injury.

An added feature built into the Legend Classic is “push-too-fast” protection which safeguards the scooter against gaining excessive speed while in freewheel mode.

“Push-too-fast” operates differently depending on which of two conditions exists:

- If the key is switched “off” when in freewheel mode, the scooter’s controller activates regenerative braking when the scooter is pushed faster than a maximum threshold which has been preprogrammed. In this case, the controller is acting as a speed governor.
- If the key is switched “on” while in freewheel mode, you will encounter considerable resistance at any speed. This prevents the scooter from gaining unwanted momentum should the manual freewheel lever inadvertently be released while driving the scooter.

II. SAFETY

STAIRS AND ESCALATORS

Legend Classics are not designed to travel up or down stairs or escalators. Always use a lift.



WARNING! Do not use your scooter to negotiate steps or escalators. You may cause injury to yourself and to others and damage your Legend Classic.

DOORS

- Determine if the door opens toward or away from you.
- Use your hand to turn the knob or push the handle or push-bar.
- Drive your scooter gently and slowly forward to push the door open. Or drive your scooter gently and slowly rearwards to pull the door open.

LIFTS

Modern lifts have a door edge safety mechanism that, when pushed, reopens the lift door(s).

- If you are in the doorway of a lift when the door(s) begin to close, push on the rubber door edge or allow the rubber door edge to contact the scooter and the door will reopen.
- Use care that pocketbooks, packages, or scooter accessories do not become caught in lift doors.

LIFT/ELEVATION PRODUCTS

If you will be traveling with your Legend Classic, you may find it necessary to use a lift/elevation product to aid in transportation. Pride recommends that you closely review the instructions, specifications, and safety information set forth by the manufacturer of the lift/elevation product before using that product.

BATTERIES

In addition to following the warnings below, be sure to comply with all other battery handling information. For more information about your Legend Classic's batteries, see V. "Batteries and Charging."



WARNING! Scooter batteries are heavy. Lifting weight beyond your capacity could result in personal injury. If necessary, get someone physically able to lift the scooters batteries for you.

WARNING! Battery posts, terminals, and related accessories contain lead and lead compounds. Wash hands after handling.

WARNING! Always protect the batteries from freezing and never charge a frozen battery. Charging a frozen battery may result in personal injury and/or damage to the battery.

BATTERY DISPOSAL AND RECYCLING

If you encounter a damaged or cracked battery, immediately enclose it in a plastic bag and call your authorised Pride provider for instructions on disposal. Your authorised Pride provider will also have the necessary information on battery recycling, which is our recommended course of action.

PREVENTING UNINTENDED MOVEMENT



WARNING! If you anticipate being seated in a stationary position for an extended period of time, turn off the power. This will prevent unexpected motion from inadvertent throttle control lever contact. Failure to do so may result in personal injury.

II. SAFETY

MOTOR VEHICLE TRANSPORT

Currently, there are no standards approved for tie-down systems in a moving vehicle of any type to transport a person while seated in a Legend Classic.

Although your scooter may be equipped with a positioning belt, this belt is not designed to provide proper restraint during motor vehicle transport. Anyone traveling in a motor vehicle should be properly secured in the motor vehicle seat with safety belts fastened securely.



WARNING! Do not sit on your scooter while it is in a moving vehicle. Personal injury and/or property damage may result.

WARNING! Always be sure your scooter and its batteries are properly secured when it is being transported. Failure to do so may result in personal injury and/or damage to your Legend Classic.

GETTING ONTO AND OFF OF YOUR SCOOTER

Getting onto and off of your scooter requires a good sense of balance. Please observe the following safety tips when getting onto and off of your scooter:

- Ensure that your scooter is not in freewheel mode. See IV. “Your Legend Classic.”
- Make certain that the seat is locked into place and the key is removed from the key switch.
- The seat armrests can be flipped up to make getting onto and off of the scooter easier.



WARNING! Position yourself as far back as possible in the scooter seat to prevent the scooter from tipping and causing injury.

WARNING! Avoid using your armrests for weight bearing purposes. Such use may cause the scooter to tip and cause personal injury.

WARNING! Avoid putting all of your weight on the floorboard. Such use may cause the scooter to tip and cause personal injury.

POSITIONING BELTS

Your authorised Pride provider, therapist(s), and other healthcare professionals are responsible for determining your requirement for a positioning belt in order to operate your scooter safely.



WARNING! If you require a positioning belt to safely operate your Legend Classic, make sure it is fastened securely. Serious personal injury may result if you fall from the Legend Classic.

II. SAFETY

REACHING AND BENDING

Avoid reaching or bending while driving your Legend Classic. When reaching, bending, or leaning while seated on your Legend Classic, it is important to maintain a stable center of gravity and keep the scooter from tipping. Pride recommends that the scooter user determine his/her personal limitations and practice bending and reaching in the presence of a qualified healthcare professional.



WARNING! Do not bend, lean, or reach for objects if you have to pick them up from the floor by reaching down between your knees. Movements such as these may change your center of gravity and the weight distribution of the scooter and cause your scooter to tip, possibly resulting in personal injury. Keep your hands away from the tyres when driving.

PRESCRIPTION DRUGS/PHYSICAL LIMITATIONS

The scooter user must exercise care and common sense when operating his/her Legend Classic. This includes awareness of safety issues when taking prescribed or over-the-counter drugs or when the user has specific physical limitations.



WARNING! Consult your physician if you are taking prescribed or over-the-counter medication or if you have certain physical limitations. Some medications and limitations may impair your ability to operate your scooter in a safe manner.

ALCOHOL

The scooter user must exercise care and common sense when operating his/her Legend Classic. This includes awareness of safety issues while under the influence of alcohol.



WARNING! Do not operate your scooter while you are under the influence of alcohol, as this may impair your ability to drive safely.

III. SPECIFICATIONS

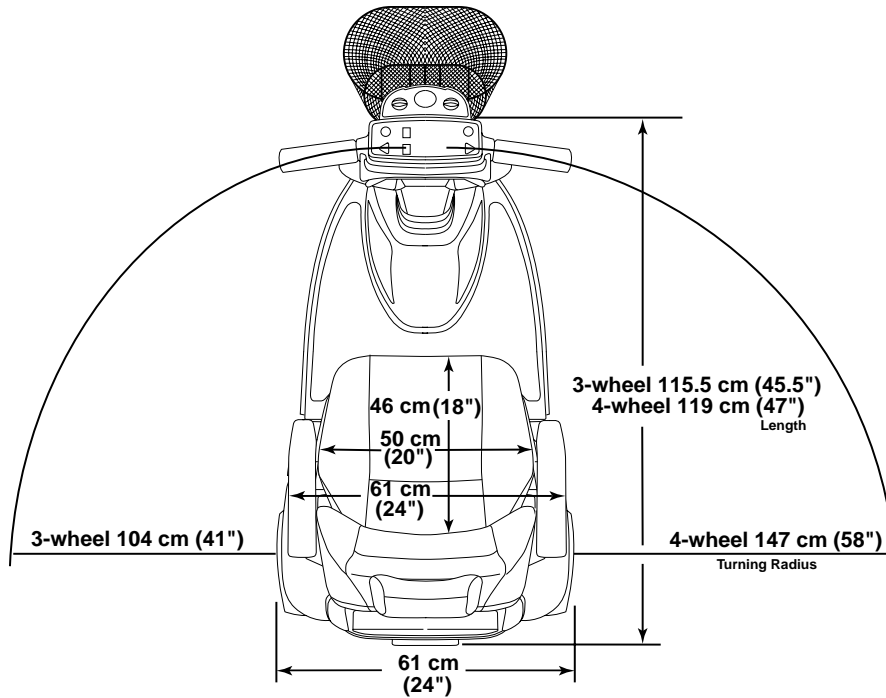
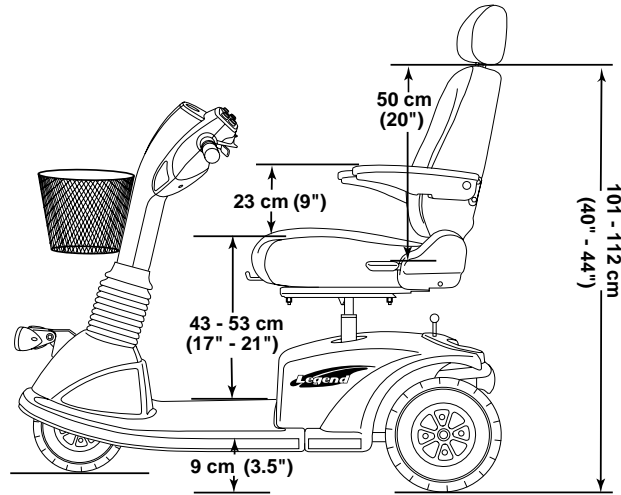


FIGURE 4. LEGEND CLASSIC DIMENSIONS

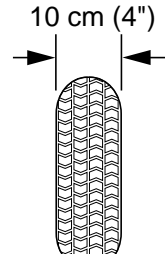
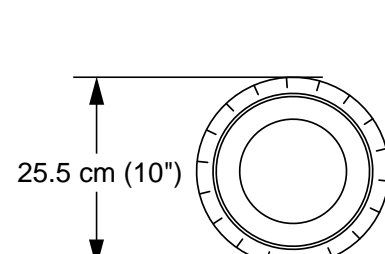
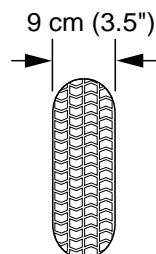
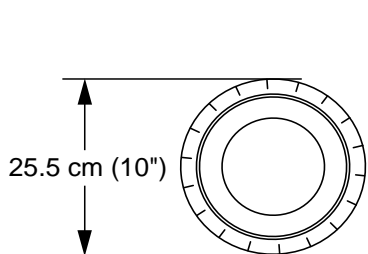


FIGURE 4A. LEGEND CLASSIC TYRE DIMENSIONS

FIGURE 4B. LEGEND CLASSIC FRONT TYRE DIMENSIONS

III. SPECIFICATIONS

Class of Use	B
Model Numbers	3-wheel: SCUK3000, 4-wheel: SCUK3400
Available Colours	Painted: Red, Blue,
Overall Length	3-wheel: 115.5 cm (45.5 in.), 4-wheel: 119 cm (47 in.)
Overall Width	61 cm (24 in.)
Total Weight Without Batteries	3-wheel: 72 kg (159 lbs.), 4-wheel: 73 kg (162 lbs.)
Heaviest Piece When Disassembled	Rear frame: 27 kg (59 lbs.)
Turning Radius	3-wheel: 104 cm (41 in.), 4-wheel: 147 cm (58 in.)
Speed (max)	Variable up to 6.4 km/h (4 mph)
Range Per Charge*	(With 32 AH batteries) Up to 40 km (25 miles)
Ground Clearance	9 cm (3.5 in.)
Weight Capacity	159 kg (350 lbs.)
Standard Seating	Type: High Back with headrest and sliders Dimensions: 50 cm (20 in.) width x 46 cm (18 in.) depth (usable) x 50 cm (20 in.) height (usable) Material: Grey vinyl
Drive System	Rear-wheel drive, sealed transaxle with a 24-volt DC motor
Dual Braking System	Electronic, regenerative, and electromechanical
Wheels	Aluminum alloy wheels in Black
Tyres	Type: pneumatic; front: 9 cm x 25.5 cm (3.5 in. x 10 in.) rear: 10 cm x 25.5 cm (4 in. x 10 in.)
Battery Requirements	Type: Two 12-volt deep cycle (SLA or gel cell) Size: (U-1) 32 AH
Battery Charger	Off-board charger
Warranty	2-year limited
Accessories	Single cane/crutch holder; double cane/crutch holder; walker holder; forearm crutch holder; oxygen tank holder; rear basket; front basket; cup holder; safety flag; quad cane holder; dust cover

* Varies with user weight, terrain type, battery charge, battery condition, and tyre pressure.

IV. YOUR LEGEND CLASSIC

TILLER CONSOLE

The tiller console houses all of the controls needed to drive your scooter, including the speed adjustment dial, throttle control levers, battery condition meter, running lights switch, headlight switch, hazard lights switch, turn indicator buttons, on/off indicator LED, and horn buttons. See figure 5.



WARNING! Do not expose the tiller console to moisture. In the event that the tiller console does become exposed to moisture, do not attempt to operate your scooter until the tiller console has dried thoroughly.

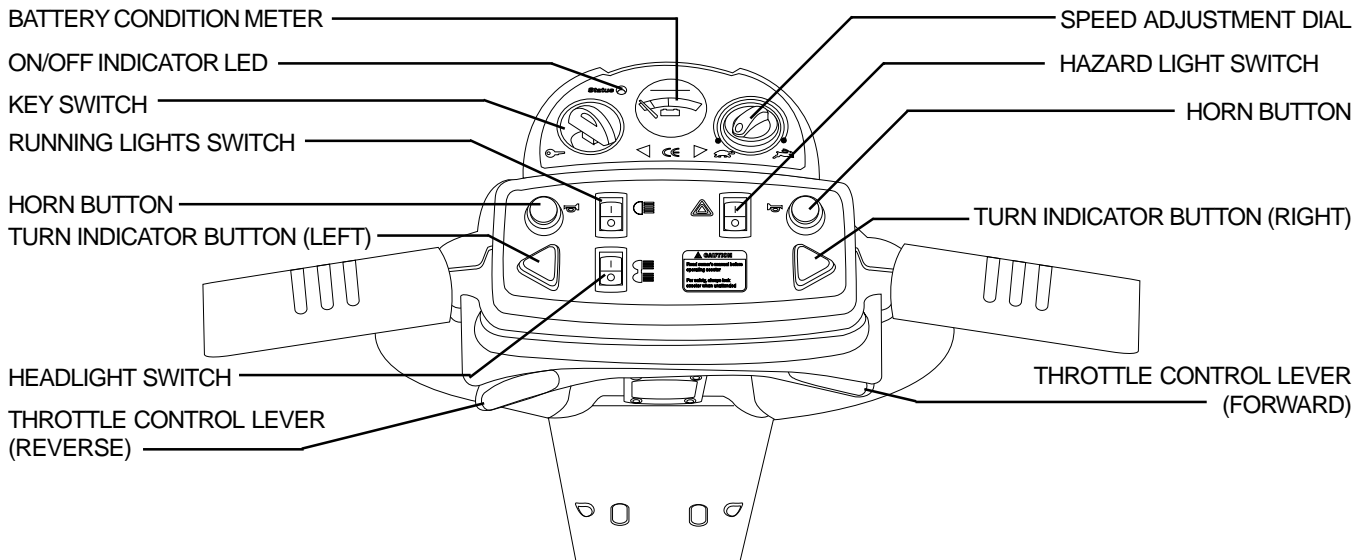


FIGURE 5. TILLER CONSOLE

Key Switch

- Insert the key into the key switch and turn it clockwise to power up (turn on) your scooter.
- Turn the key anticlockwise to power down (turn off) your scooter.



WARNING! If the key is moved to the off position while your Legend Classic is in motion, the electronic brakes engage and your Legend Classic will come to an abrupt stop!

Throttle Control Levers

These levers allow you to control the forward speed and the reverse speed of your scooter up to the maximum speed you preset with the speed adjustment dial.

- Place your right hand on the right handgrip and your left hand on the left handgrip.
- Use your right thumb to push the right side of the lever to disengage your scooter's brakes and move forward.
- Release the lever and allow your scooter to come to a complete stop before pushing the other side of the lever to move in reverse.
- When the throttle is completely released, it automatically returns to the center "stop" position and engages your scooter's brakes.

Speed Adjustment Dial

This dial allows you to preselect and limit your scooter's top speed.

- The image of the tortoise represents the slowest speed setting.
- The image of the hare represents the fastest speed setting.

IV. YOUR LEGEND CLASSIC

Running Lights Switch

This switch controls your scooter's front (upper and lower) and rear running lights.

- Toggle the switch forward to turn on your scooter's running lights.
- Toggle the switch rearward to turn off your scooter's running lights.

Headlight Switch

This switch controls your scooter's front (lower) light.

- Toggle the switch forward to turn on your scooter's front lower light.
- Toggle the switch back to turn off the light.

Horn Buttons

The key must be fully inserted into the key switch for the horn to be operational.

- This button activates a warning horn.
- Do not hesitate to use the warning horn when doing so may prevent accident or injury.

Hazard Lights Switch

This switch activates the 4-way flashers on your scooter.

- Toggle the switch forward to turn on the flashers.
- Toggle the switch rearward to turn off the flashers.

Turn Indicator Buttons

- Press the appropriate turn indicator button once to activate it.
- Your scooter's turn indicators are timed to shut off automatically.

On/Off Indicator LED

When lit, this LED indicates that your scooter is powered up (on).

3-Amp Tiller Console Fuses

These fuses help protect your scooter's front lighting, turn indicators, and key switch console systems from receiving an overload of electrical current. The fuses used in your scooter are the same type used in automobiles. See XI. "Care and Maintenance" for fuse replacement.

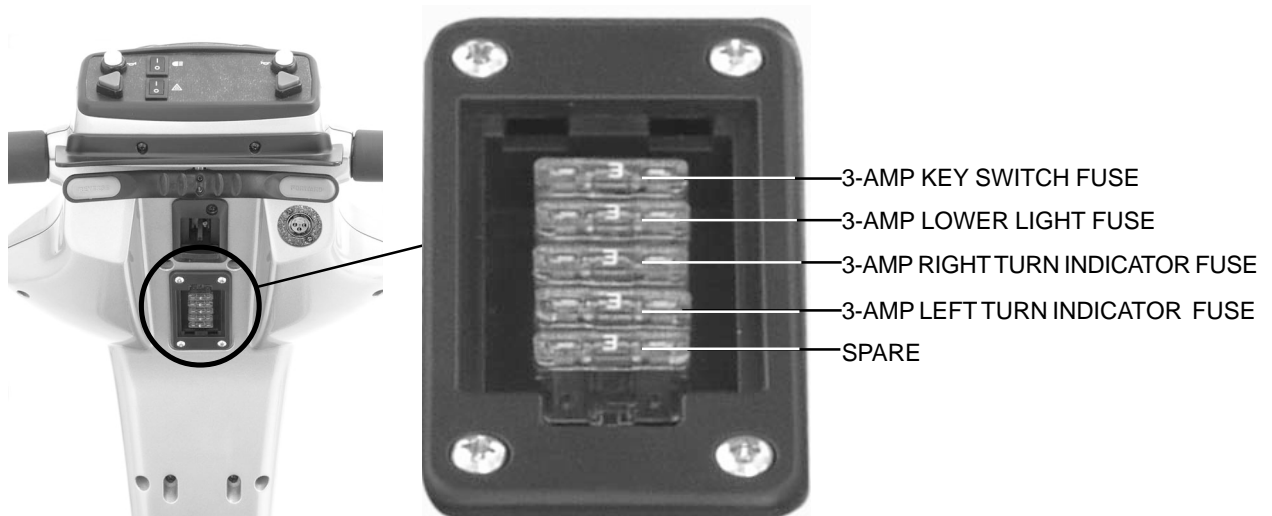


FIGURE 5A. TILLER CONSOLE FUSES

IV. YOUR LEGEND CLASSIC

REAR SECTION

The batteries (not shown), the main circuit breaker reset button, the ammeter, the manual freewheel lever, the anti-tip wheels, the rear fuses, and the motor/transaxle assembly are located on the rear section of your Legend Classic. See figure 6.

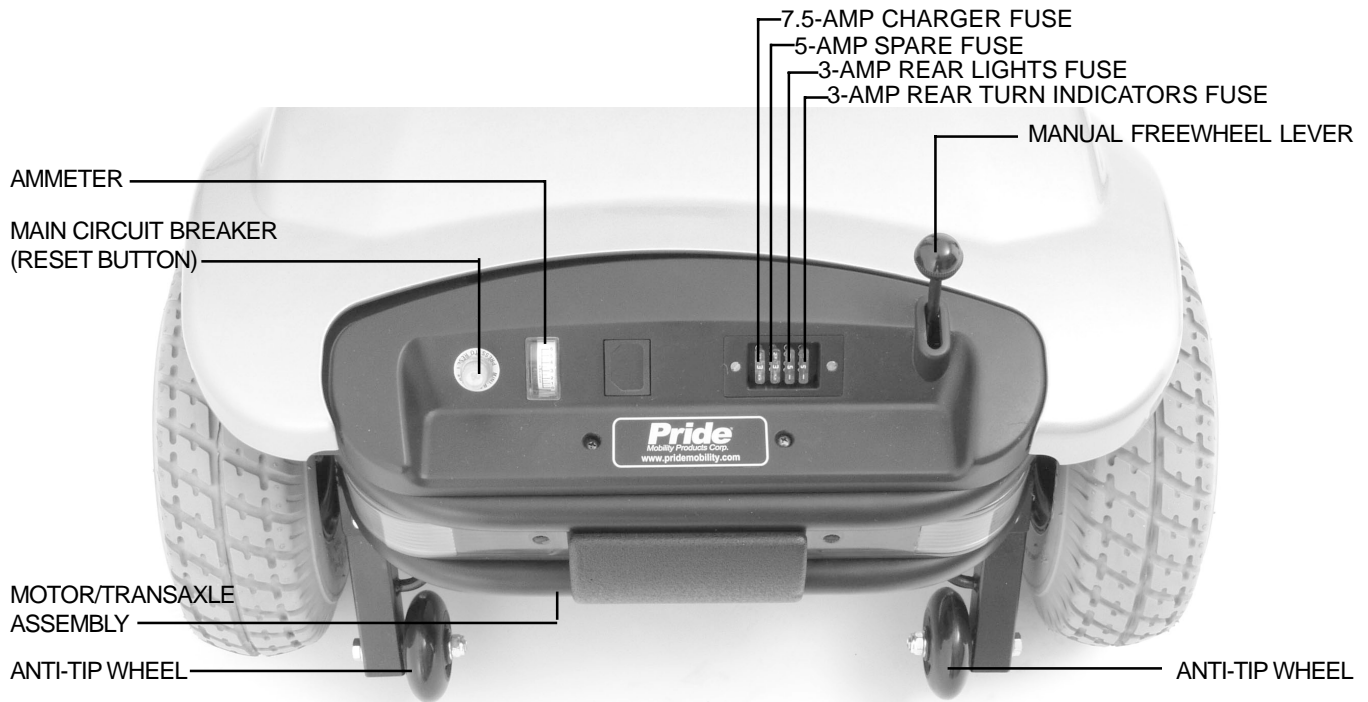


FIGURE 6. REAR SECTION

Ammeter

During charging, the ammeter indicates the charging rate, or how hard the charger is working to charge the Legend Classic's batteries. See V. "Batteries and Charging."

Main Circuit Breaker (Reset Button)

When the voltage in your Legend Classic's batteries becomes low or the scooter is heavily strained because of excessive loads or steep inclines, the main circuit breaker may trip to protect the motor and electronics from damage. See figure 6.

- The main circuit breaker reset button pops out when the breaker trips.
- When the breaker trips, the entire electrical system of your scooter shuts down.
- Allow a minute or two for your Legend Classic's electronics to "rest."
- Push in the reset button to reset the main circuit breaker.
- If the main circuit breaker trips frequently, you may need to charge your batteries more often. You may also need to have your authorised Pride provider perform a load test on your Legend Classic's batteries.
- If the main circuit breaker trips repeatedly, see your authorised Pride provider for service.

IV. YOUR LEGEND CLASSIC

Manual Freewheel Lever

Whenever you need or want to push your scooter for short distances, you can put it in freewheel mode.

- The manual freewheel lever is located on the end of the motor/transaxle assembly at the right rear of the Legend Classic. See figure 6.
- Remove the key from the key switch.
- Pull up on the manual freewheel lever to disable the drive system and the brake system.
- You may now push your Legend Classic.
- Push down on the manual freewheel lever to reengage the drive and the brake systems and take your scooter out of freewheel mode.



WARNING! Before placing your scooter into or taking it out of freewheel mode, make certain that the key is removed from the key switch. Never sit on a scooter when it is in freewheel mode. Never put a scooter in freewheel mode on any incline.



WARNING! Never operate the manual freewheel lever while seated on the scooter or when the scooter is on an incline.

OPERATION OF THE MANUAL FREEWHEEL LEVER

- Only put the scooter in freewheel mode when on a flat surface with the key removed.
- Pull UP FIRMLY on the manual freewheel lever when putting the scooter into freewheel mode.
- Push DOWN FIRMLY to engage drive mode.

NOTE: If the scooter is placed in freewheel mode (manual freewheel lever pulled up) while the key is in the “on” position, the scooter will not run until the manual freewheel lever is pushed down and the key is turned to the “off” position, then back to the “on” position.

Batteries (Not Shown)

The batteries store electrical energy that powers your Legend Classic. See V. “Batteries and Charging.”

Anti-Tip Wheels

The anti-tip wheels are an integral and important safety feature of your Legend Classic. Do not, under any circumstances, remove the anti-tip wheels from your Legend Classic.

Motor/Transaxle Assembly

The motor/transaxle assembly is an electromechanical unit that converts electrical energy from your Legend Classic’s batteries into the controlled mechanical energy that drives the Legend Classic’s wheels.

Rear Fuses

These fuses help protect your scooter’s rear lighting, turn indicators, and charging systems from receiving an overload of electrical current. These fuses are the same type used in automobiles. See XI. “Care and Maintenance” for fuse replacement.

V. BATTERIES AND CHARGING

Your Legend Classic requires two sealed, maintenance free, 12-volt, deep cycle batteries.

- Charge the batteries prior to using your scooter for the first time.
- Keeping the batteries fully charged will keep your scooter running smoothly.

READING YOUR BATTERY VOLTAGE

The battery condition meter on the tiller console indicates the approximate strength of your batteries using a colour code. See figure 7. Green indicates fully charged batteries, yellow indicates a draining charge, and red indicates that an immediate recharge is necessary. To check the charge, you must first unplug the charger power lead and power up your scooter.

You can also check the charge using the ammeter located on the rear of the scooter. The charger power lead must be plugged into a standard wall outlet in order to obtain a reading. When the amperage reading is at or near zero (0) amps, the battery charging is complete. See figure 8.

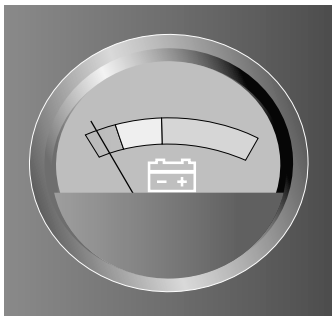


FIGURE 7. BATTERY CONDITION METER



FIGURE 8. AMMETER INDICATES BATTERY IS FULLY CHARGED

CHARGING YOUR BATTERIES

Follow these easy steps to charge your batteries safely:

1. Position your scooter close to a standard wall outlet.
2. Remove the key from the key switch.
3. Make certain that the manual freewheel lever is in the drive (down) position.
4. Plug the appropriate end of the off-board charger into the off-board charger port. See figure 9.



WARNING! Never use an extension lead to plug in your battery charger. Plug the charger directly into a properly wired standard wall outlet.

5. Extend the charger power lead and plug it into the wall outlet. It is recommended that you charge your batteries for 8 to 14 hours.
6. When the batteries are fully charged, unplug the charger power lead from the wall outlet and then from the off-board charger port.

NOTE: There is a charger inhibit function on your scooter. The scooter will not run and the battery condition meter will not operate while the batteries are charging.

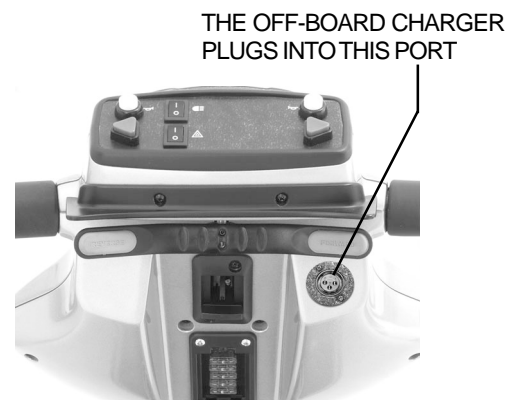


FIGURE 9. OFF-BOARD CHARGER PORT

V. BATTERIES AND CHARGING

BATTERIES AND CHARGING-FREQUENTLY ASKED QUESTIONS (FAQS)

How does the charger work?

When your scooter's battery voltage is low, the charger works harder and sends more electrical current to the batteries to bring up their charge. As the voltage of the batteries approaches a full charge, the charger sends less and less electrical current to the batteries. When the batteries are fully charged, the current sent to them from the charger is at nearly zero amperage. Therefore, when the charger is plugged in, it maintains the charge on your scooter's batteries, but does not overcharge them. We do not recommend that you charge your scooter's batteries for more than 24 consecutive hours.

What if the scooter's batteries won't charge?

- Be sure the battery cables are connected properly.
- Ensure both ends of the charger lead are inserted fully.

Can I use a different charger?

For the safest, most efficient and balanced charging of your scooter's batteries, we prefer and highly recommend the simultaneous charging of both batteries by use of the off-board battery charger.

How often must I charge the batteries?

Two major factors must be considered when deciding how often to charge your scooter's batteries:

- All day scooter use on a daily basis.
- Infrequent or sporadic scooter use.

With these considerations in mind, you can determine just how often and for how long you should charge your scooter's batteries. We designed the off-board charger so that it will not overcharge your scooter's batteries (do not charge them for more than 24 consecutive hours). However, you may encounter some problems if you do not charge your batteries often enough and if you do not charge them on a regular basis. Following the five guidelines below will provide safe and reliable battery operation and charging.

- If you use your scooter daily, charge its batteries as soon as you finish using it for the day. Your scooter will be ready each morning to give you a "full day" of service. We recommend that you charge your scooter's batteries for 8 to 14 hours after daily use.
- If you use your scooter once a week or less, charge its batteries at least once a week for 12 to 14 hours at a time.
- Keep your scooter's batteries fully charged.
- Avoid deeply discharging your scooter's batteries.
- Do not charge your scooter's batteries for more than 24 consecutive hours.

V. BATTERIES AND CHARGING

How can I get maximum range or distance per charge?

Rarely will you have ideal driving conditions—smooth, flat, hard driving surfaces with no wind or curves. You will often face hills, pavement cracks, uneven and loosely packed surfaces, curves, and wind. All of these driving conditions affect the distance or running time per battery charge. Below are a few suggestions for obtaining the maximum range per battery charge.

- Always fully charge your scooter's batteries prior to your daily use.
- Maintain **30-35 psi** in all of your scooter tyres.
- Plan your route ahead to avoid as many hills, cracked, broken, or soft surfaces as possible.
- Limit your baggage weight to essential items.
- Try to maintain an even speed while your scooter is in motion.
- Avoid stop-and-go driving.

What type and size of battery should I use?

We recommend deep-cycle batteries that are sealed and maintenance free. Both sealed lead-acid and gel cell are deep-cycle batteries that are similar in performance. Do not use wet-cell batteries, which have removable caps.



CAUTION! Do not remove the caps from sealed batteries. Water cannot be added to sealed batteries. Cap removal voids the battery warranty and may cause damage to the batteries and to your scooter.

Use these specifications to reorder deep-cycle batteries:

Type: Deep-cycle (sealed lead-acid or gel cell)
Size: U-1, 32 AH
Voltage: 12 volts each
Amperage: 32 AH (amp hours)

To change a battery in your scooter:



WARNING! Battery posts, terminals, and related accessories contain lead and lead compounds. Wash hands after handling.

1. Remove the seat and the rear shroud. See VIII. "Disassembly and Assembly."
2. Disconnect the battery strap.
3. Disconnect the 2-pin, black and white battery harness from its mating plug. See figure 15 in VIII. "Disassembly and Assembly."
4. Disconnect the battery cables from the battery terminals.
5. Remove the old battery.
6. Place a new battery in the battery well.
7. Connect the red battery cable to the positive (+) battery terminal.
8. Connect the black battery cable to the negative (-) battery terminal.
9. Reconnect the 2-pin, black and white battery harness to its mating plug.
10. Reconnect the battery strap.
11. Reinstall the rear shroud and seat.

Why do my new batteries seem weak?

Deep-cycle batteries employ a different chemical technology than that used in car batteries, nickel-cadmium batteries (nicads), or in other common battery types. Deep-cycle batteries are specifically designed to provide power, drain down their charge, and then accept a relatively quick recharge.

V. BATTERIES AND CHARGING

We work closely with our battery manufacturer to provide batteries that best suit your scooter's specific electrical demands. Fresh batteries arrive daily at Pride and are shipped fully charged to our customers. During shipping, the batteries may encounter temperature extremes that may influence their initial performance. Heat diminishes the charge on the battery; cold slows the available power and extends the time needed to recharge the battery.

It may take a few days for the temperature of your scooter's batteries to stabilise and adjust to their new room or ambient temperature.

More importantly, it takes a few charging cycles (a partial drain followed by a full recharge) to establish the critical chemical balance that is essential to a deep-cycle battery's peak performance and long life.

Please follow these steps to properly break in your scooter's new batteries for maximum efficiency and service life.

1. Fully recharge any new battery prior to its initial use. This charging cycle brings the battery up to about 88% of its peak performance level.
2. Operate your new scooter in familiar and safe areas. Drive slowly at first, and do not travel too far from your home or familiar surroundings until you have become accustomed to your scooter's controls and have properly broken in your scooter's batteries.
3. Fully recharge the batteries. They should be at over 90% of their peak performance level.
4. Operate your scooter again.
5. Fully recharge the batteries again.
6. After four or five charging cycles, the batteries are able to receive a charge of 100% of their peak performance level and are able to last for an extended period of time.

How can I ensure maximum battery life?

Fully charged deep-cycle batteries provide reliable performance and extended battery life. Keep your scooter's batteries fully charged whenever possible. Batteries that are regularly and deeply discharged, infrequently charged, or stored without a full charge may be permanently damaged, causing unreliable performance and limited service life.

How should I store my scooter and its batteries?

If you plan on not using your scooter for an extended period of time, it is best to:

- Fully charge its batteries prior to storage.
- Disconnect the battery harnesses.
- Store your scooter in a warm dry environment.
- Avoid storing your scooter where it will be exposed to temperature extremes.



WARNING! If your scooter's batteries do become frozen, do not attempt to charge them. Cold or frozen batteries should be allowed to warm up for several days prior to recharging.

For prolonged storage, you may wish to place several boards under the frame of your scooter to raise the scooter off of the ground. This takes the weight off of the tyres and reduces the possibility of flat spots developing on the areas of the tyres contacting the ground.

What about public transportation?

If you intend to use public transportation while using your scooter, you must contact in advance the transportation provider to determine their specific requirements.

VI. OPERATION

BEFORE GETTING ONTO YOUR SCOOTER

- Have you fully charged the batteries? See V. “Batteries and Charging.”
- Is the manual freewheel lever in the drive (down) position? Never leave the manual freewheel lever in the up position unless you are manually pushing your scooter.

GETTING ONTO YOUR SCOOTER



WARNING! Never attempt to get onto or off of your scooter without first removing the key from the key switch. This prevents the scooter from moving if accidental throttle control lever contact is made.

1. **Make certain that the key is removed from the key switch.**
2. Stand at the side of your scooter.
3. Disengage the seat lock lever and rotate the seat until it is facing you.
4. Position yourself comfortably and securely in the seat.
5. Disengage the seat lock lever and rotate the seat until you are facing forward.
6. Make certain that your feet are safely on the floorboard.

PRE-RIDE ADJUSTMENTS AND CHECKS

- Is the seat at the proper height? See VII. “Comfort Adjustments.”
- Is the tiller at a comfortable setting and locked securely in place? See VII. “Comfort Adjustments.”
- Is the key inserted in the key switch and in the “on” position?
- Does the scooter’s horn work properly?
- Is your proposed path clear of people, pets, and obstacles?
- Have you planned your route to avoid adverse terrain and as many inclines as possible?

OPERATING YOUR SCOOTER

After planning your route:

- Set the speed adjustment dial to your desired speed.
- Press your thumb against the appropriate throttle control lever.
- The electromechanical disc park brake automatically disengages and the scooter accelerates smoothly to the speed you preselected with the speed adjustment dial.
- Pull on the left handgrip to steer your scooter to the left. Pull on the right handgrip to steer your scooter to the right.
- Move the tiller to the center position to drive straight ahead.
- Release the throttle control lever to decelerate and come to a complete stop.
- The electromechanical disc park brake automatically engages when your scooter comes to a stop.

GETTING OFF OF YOUR SCOOTER

1. Bring your scooter to a complete stop.
2. **Make certain that you remove the key from the key switch.**
3. Disengage the seat lock lever and rotate the seat until you are facing toward the side of your scooter.
4. Make certain that the seat is locked securely in position.
5. Carefully and safely get out of the seat and stand to the side of your scooter.
6. You can leave the seat facing to the side to facilitate boarding your scooter the next time you wish to operate it.

VII. COMFORT ADJUSTMENTS



WARNING! Remove the key from the key switch before adjusting the tiller or the seat. Never attempt to adjust the tiller or the seat while the scooter is in motion.

TILLER ANGLE ADJUSTMENT

Your scooter is equipped with a pivoting tiller that allows adjustment to several positions from the scooter deck to the furthest forward stop.

1. Lift the tiller adjustment lever. See figure 9A.
2. Move the tiller to a comfortable position.
3. Release the tiller adjustment lever to secure the tiller in position.



FIGURE 9A. TILLER ADJUSTMENT

SEAT ROTATION ADJUSTMENT

The seat lock lever locks the seat in one of eight positions. See figure 10.

1. Push forward on the seat lock lever to unlock the seat.
2. Rotate the seat to the desired position.
3. Release the seat lock lever to lock the seat securely in place. If the seat is not locked into position, gently rock the seat back and forth until you hear the lever “click.”

FRONT-TO-BACK SEAT ADJUSTMENT

You can reposition the Legend’s seat forward or rearward to adjust the distance between the seat and the tiller. See figure 10.

1. Move the seat sliding lever outward.
2. While holding the lever out, slide the seat forward or rearward.
3. Release the seat sliding lever once the seat is in the desired position.

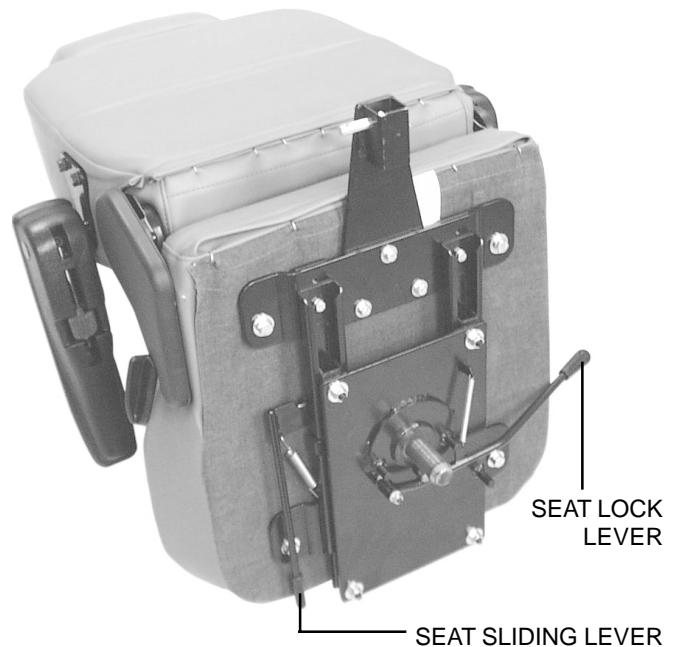


Figure 10. Seat Adjustments

VII. COMFORT ADJUSTMENTS

SEATBACK ADJUSTMENT



WARNING! Do not operate your scooter with the seatback in a reclined position.

To adjust your Legend Classic's reclining seat, perform these steps. See figure 10A.

1. While pulling up on the seatback adjustment lever, lean forward or rearward to adjust the seatback.
2. Release the seatback adjustment lever once the seat is in a comfortable riding position.

ARMREST ANGLE ADJUSTMENT

The armrests of your scooter can be adjusted upward or downward. See figure 10B.

- By turning the adjustment dial, the armrest will either raise or lower.

NOTE: The armrests also pivot upward to make getting on and off of your scooter easier.

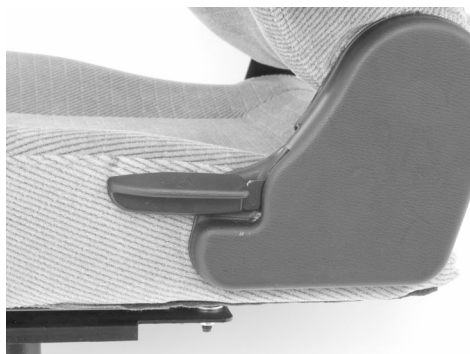


FIGURE 10A. SEATBACK ADJUSTMENT LEVER



FIGURE 10B. ARMREST ANGLE ADJUSTMENT

SEAT HEIGHT ADJUSTMENT

The seat can be repositioned to different heights. See figure 11.

1. Remove the seat and shroud from your Scooter. See VIII. "Disassembly and Assembly."
2. Loosen the seat height adjustment bolt-nut and remove it from the bolt. Remove the bolt and washers.
3. Loosen the seat post bolt.
4. Raise or lower the upper seat post to the desired seat height.
5. While holding the upper seat post at that height, match up the locating holes in the upper seat post with those of the lower seat post.
6. With one washer on the seat height adjustment bolt insert it through the locating holes of both the upper and lower seat posts. Reinstall the other washer and bolt-nut and tighten.

NOTE: Ensure both washers have been reinstalled before fully tightening the bolt-nut.

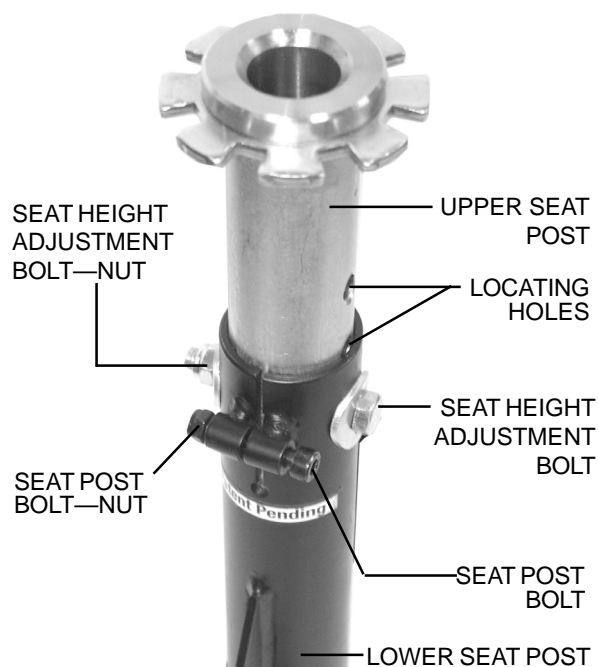


Figure 11. Seat Height Adjustment

7. Tighten the seat post bolt
8. Reinstall the rear shroud and the seat.

VII. COMFORT ADJUSTMENTS

POWER SEAT (OPTIONAL)

Your Legend Classic may be equipped with a power seat. The power seat actuator is designed to raise or lower the seat automatically with minimal effort on the part of the operator.



WARNING! The power seat is intended for operation only while your scooter is stationary and on a level surface. Its purpose is to aid you in reaching objects.

Strict adherence to the following safety rules is vital to your safety:

- **Do not attempt to raise or lower the seat while in motion!**
- **Operate the power seat only on level ground.**
- **Do not operate your scooter with the power seat elevated.**
- **It is recommended that the scooter be driven only with the seat in the lowest position.**

To operate your power seat:

If the toggle switch is mounted on the right side of the scooter:

1. Push the toggle switch lever forward to raise the seat.
2. Pull the toggle switch lever rearward to lower the seat.
3. Release the toggle switch lever when you have attained your desired height.

If the toggle switch is mounted on the left side of the scooter:

1. Push the toggle switch lever forward to lower the seat.
2. Pull the toggle switch lever rearward to raise the seat.
3. Release the toggle switch lever when you have attained your desired height.

VIII. DISASSEMBLY AND ASSEMBLY

DISASSEMBLY

You can disassemble the scooter into seven pieces: the seat, the front section, the rear section, the rear shroud, the basket, and the batteries. See figure 12. Place the scooter in an area where you have sufficient clearance to move the parts around. You need about (2 meters) four or five feet in all directions. You may need assistance to lift some of the scooter components. See III. "Specifications" for individual component weights.

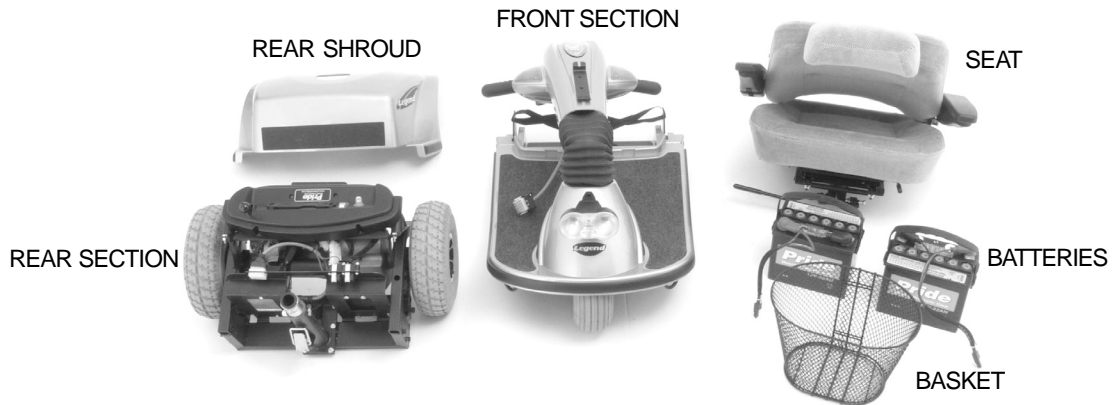


FIGURE 12. THE LEGEND CLASSIC DISASSEMBLED

No tools are required to disassemble or assemble your scooter. Always disassemble or assemble your scooter on a level, dry surface with sufficient room for you to work and move around your scooter. Keep in mind that the disassembled sections of the scooter take up more floor space than the assembled scooter.



WARNING! Lifting weight beyond your physical capability may result in personal injury. Ask for assistance when necessary while disassembling or assembling your scooter.

1. Place the manual freewheel lever in the drive (down) position.
2. Coil the charger power lead and store it for future use.
3. Push forward on the seat lock lever to unlock the seat; lift the seat up and off the scooter. See figure 13.
4. Gently pull the shroud up from the frame and lift it off of the scooter. See figure 14.
5. Disconnect the battery strap.



FIGURE 13. REMOVING THE SEAT

PULL SHROUD AWAY FROM FRAME HERE BEFORE LIFTING SHROUD UP



FIGURE 14. REMOVING THE REAR SHROUD

VIII. DISASSEMBLY AND ASSEMBLY

6. Unplug both black and white 2-pin battery harnesses and remove the batteries. See figure 15.
7. Unplug the front-to-rear harness. See figure 16.



CAUTION! Failure to unplug both battery harnesses and the front-to-rear harness prior to separating the front and rear sections could result in permanent damage to the scooter.



FIGURE 15. BATTERY HARNESSES



FIGURE 16. FRONT-TO-REAR HARNESS

Toggle Latch Release

1. Push in the toggle latch release button while pulling back the toggle latch. See figure 17.
2. Position the toggle latch buckle over the top of the toggle latch. See figure 18.
3. Lower the tiller to the scooter floorboard.



FIGURE 17. TOGGLE LATCH (LATCHED)

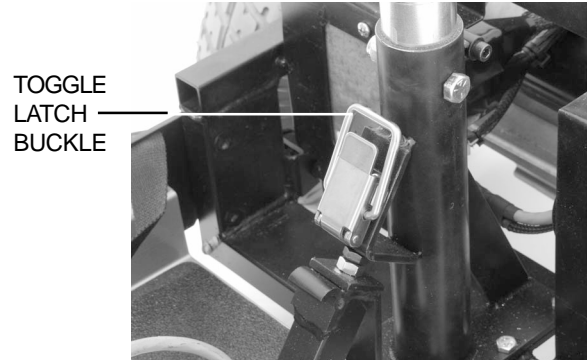


FIGURE 18. TOGGLE LATCH (UNLATCHED)

Frame Separation

1. Push back on the seat post to pivot the scooter's rear section rearwards until the rear section is standing vertically on its rear bumper. See figure 19.
2. Lift the front section up until the lower pegs are no longer in the slots. See figure 20.
3. Carefully move the front section away from the rear section.

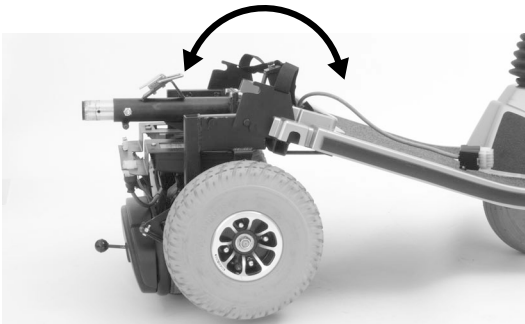


FIGURE 19. FRAME POSITIONING



FIGURE 20. SEPARATING THE FRAME SECTIONS

VIII. DISASSEMBLY AND ASSEMBLY

ASSEMBLY

1. Position the front and rear sections of your scooter as shown in figure 21.
2. Align the lower slots of the front section with the corresponding pegs on the front of the rear section.



CAUTION! Position the front-to-rear harness cable so it won't become pinched between the frame halves when pivoting the rear section forward. See figure 22.

3. Holding the seat post, slowly pivot the rear section forward until the curved locking brackets are fully connected onto the top rear pegs. See figure 22.
4. Raise the tiller.
5. Secure the toggle latch. See figure 17.
 - Lower the toggle latch buckle.
 - Push back on the toggle latch so it locks into place.
6. Connect the front-to-rear harness.
7. Reinstall the batteries and connect both battery harnesses.
8. Reconnect the battery strap .
9. Replace the shroud.
10. Replace the seat, and lock it into place.

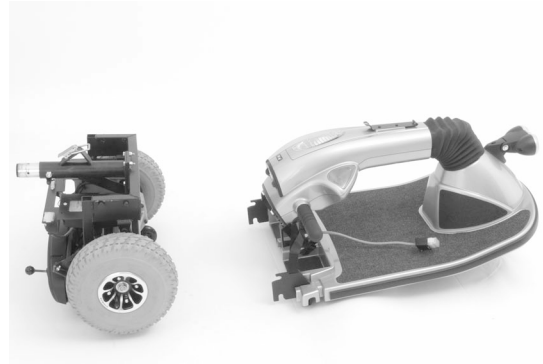


FIGURE 21. FRAME SECTIONS

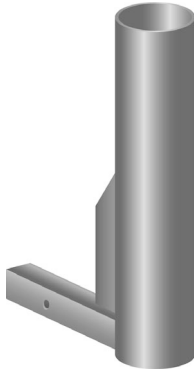


FIGURE 22. FRAME LOCKUP

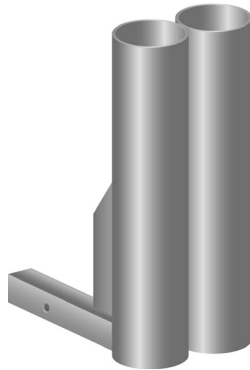
IX. OPTIONAL ACCESSORIES

OPTIONAL ACCESSORIES

For information concerning these optional accessories, contact your authorised Pride provider.



• SINGLE CANE/CRUTCH HOLDER



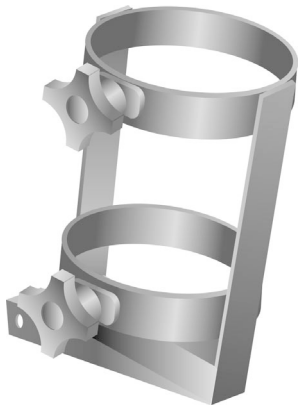
• DOUBLE CANE/CRUTCH HOLDER



• WALKER HOLDER



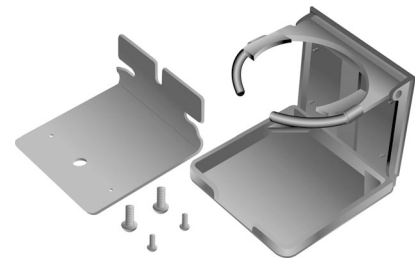
• FOREARM CRUTCH HOLDER



• OXYGEN TANK HOLDER



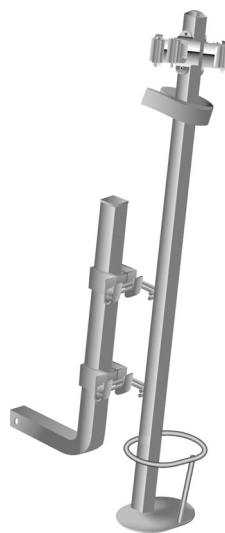
• REAR BASKET



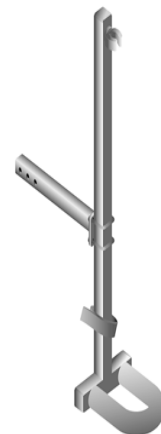
• CUP HOLDER



• SAFETY FLAG



• DOUBLE CRUTCH HOLDER



• QUAD CANE HOLDER

A DUST COVER IS ALSO AVAILABLE BUT NOT SHOWN

X. BASIC TROUBLESHOOTING

Any electromechanical device occasionally requires some troubleshooting. However, most of the problems that may arise can usually be solved with a bit of thought and common sense. Many of these problems occur because the batteries are not fully charged or because the batteries are worn down and can no longer hold a charge.

What if all the systems on my scooter seem to be “dead”?

- Make certain that the key is in the “on” position.
- Check that the batteries are fully charged. See V. “Batteries and Charging.”
- Push in the main circuit breaker reset button. See IV. “Your Legend Classic.”
- Make certain that both battery harnesses are firmly connected to their mating plugs and to the battery terminals. See VIII. “Disassembly and Assembly.”
- Make sure that the front-to-rear harness is firmly connected to its mating plug. See VIII. “Disassembly and Assembly.”
- Check the 3-amp fuse located on the lower portion of the tiller console. See XI. “Care and Maintenance” for fuse replacement.
- Be sure the power down timer feature hasn’t been activated. See “Power Down Timer Feature” below.

POWER DOWN TIMER FEATURE

Your scooter is equipped with an energy saving automatic power down timer feature designed to preserve your scooter’s battery life. If you mistakenly leave the key in the key switch and in the “on” position but do not use your scooter for approximately 20 minutes, the scooter’s controller shuts down automatically. Although the controller is shut down and the scooter will not move, power will still be supplied to the scooter’s lighting system.

When the power down timer feature takes effect, perform the following steps to resume normal operation.

1. Turn the key to the “off” position.
2. Turn the key back to the “on” position.

What if my scooter does not move when I press the throttle control levers?

- When the manual freewheel lever is pulled up, the brakes are disengaged and all power to the motor/transaxle assembly is cut.
- Push down on the manual freewheel lever, turn the scooter off, and then turn the scooter back on to return to normal operation.

What if the main circuit breaker repeatedly trips? See IV. “Your Legend Classic.”

- Charge the scooter’s batteries more frequently. See V. “Batteries and Charging.”
- If the problem continues, have both of your scooter’s batteries load tested by your authorised Pride provider.
- You may also perform the load test yourself. Battery load testers are available at most automotive parts stores. Follow the directions supplied with the load tester.
- See V. “Batteries and Charging” or III. “Specifications” for information about your scooter’s battery type.

What if the battery condition meter dips way down and the motor surges or hesitates when I press my scooter’s throttle control lever? (See IV. “Your Legend Classic.”)

- Fully charge your scooter’s batteries. See V. “Batteries and Charging.”
- Have your authorised Pride provider load test each battery.
- Or, see the previous troubleshooting question for load testing the batteries yourself.

If you experience any problems with your scooter that you are not able to solve, immediately contact your authorised Pride provider for information, maintenance, and service.

XI. CARE AND MAINTENANCE

Your scooter requires a minimal amount of care and maintenance. If you do not feel confident in your ability to perform the maintenance listed below, you may schedule inspection and maintenance at your authorised Pride provider. The following areas require periodic inspection and/or care and maintenance.

TYRE PRESSURE

- If equipped with pneumatic tyres, always maintain a proper **30-35 psi (2-2.5 bar)** tyre pressure.



WARNING! Do not exceed 30-35 psi in your scooter tires. Overinflating a tire can cause it to explode, possibly resulting in personal injury or damage to your scooter.

- Regularly inspect your scooter's tyres for signs of wear.

EXTERIOR SURFACES

Bumpers, tyres, and trim can benefit from an occasional application of rubber or vinyl conditioner.



WARNING! Do not use a rubber or vinyl conditioner on the scooter's vinyl seat or tyre tread; they will become dangerously slippery.

BATTERY TERMINAL CONNECTIONS

- Make certain that the terminal connections remain tight and uncorroded.
- The batteries must sit flat in the battery wells.
- The battery terminals should face the rear of the scooter.

WIRING HARNESES

- Regularly check all wiring connections.
- Regularly check all wiring insulation, including the charger power lead, for wear or damage.
- Have your authorised Pride provider repair or replace any damaged connector, connection, or insulation that you find before using your scooter again.

ABS PLASTIC SHROUDS

- The front tiller shroud, front shroud, and the rear shroud are formed from durable ABS plastic and are coated with an advanced formula urethane paint.
- A light application of car wax will help the shrouds retain their high gloss.

AXLE BEARINGS AND THE MOTOR/TRANSAXLE ASSEMBLY

These items are all prelubricated, sealed, and require no subsequent lubrication.

MOTOR BRUSHES

The motor brushes are housed inside of the motor transaxle/assembly. They should be inspected periodically for wear by your authorised Pride provider.

CONSOLE, CHARGER, AND REAR ELECTRONICS

- Keep these areas free of moisture.
- Allow these areas to dry thoroughly if they have been exposed to moisture before operating your scooter again.

XI. CARE AND MAINTENANCE

STORAGE

See V. "Batteries and Charging."

FUSE REPLACEMENT

In the event a fuse should cease to work:

- Remove the fuse by pulling it out of its slot.
- Examine the fuse to be sure it is blown. See figures 23 and 23A.
- Insert a new fuse of the proper rating.

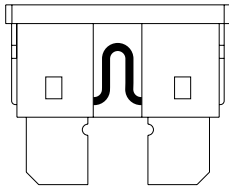


FIGURE 23. WORKING FUSE

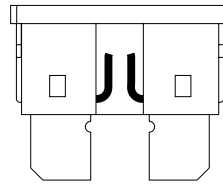


FIGURE 23A. BLOWN FUSE (REPLACE)

REAR LIGHTS

Light bulbs for the rear running lights and turn indicators are easily replaceable.



CAUTION! Do not use regular automotive-type 12-volt light bulbs; your scooter is equipped with a 24-volt electrical system.

NOTE: Replacement light bulbs can be purchased from your authorised Pride provider.

- Remove the light cover.
- Gently remove the bulb by pulling it straight out.
- Insert a new 24V, 5-watt bulb.
- Replace the light cover.

XII. WARRANTY

TWO-YEAR LIMITED WARRANTY

Structural frame components, including: platform, fork, seat post, and frame welds.
Drive train, including: differential, motor, and brake.

ONE-YEAR LIMITED WARRANTY

Your Pride Scooter is fully guaranteed for twelve (12) months from the date of purchase against faults arising due to defects in manufacture or materials. This warranty does not detract from, but is in addition to your legal rights.

All electronic parts, including controllers and battery chargers, have a one (1) year warranty. Servicing to the controller or battery charger must be carried out by your authorised Pride provider. Any attempt to open or dismantle these items renders the guarantee void on that item.

NOT COVERED UNDER WARRANTY

This guarantee does not extend to those items which may need replacement due to normal wear and tear (tyres, belts, bulbs, upholstery, plastic shrouds, motor brushes, fuses, and batteries), or damage to the product caused by misuse or accident for which Pride or its agent cannot be held responsible. This warranty does not include labor or service calls.

BATTERIES

Batteries are covered by a twelve (12) month warranty from the original manufacturer.

Gradual deterioration in performance due to being left in a discharged state, left in cold conditions for long periods of time, or worn out through heavy use is not covered.

SERVICE CHECKS AND WARRANTY SERVICE

Warranty service can be performed by an authorised Pride provider. Please contact your authorised Pride provider for advice on the current cost affecting the service visit.