

# **ROMA**

## **MEDICAL**



# **Marbella**

**Model: P200**

**USER MANUAL**

*Please ensure that this manual is read and understood before using the scooter.*



## Table of Contents

Introduction	
Practice before Operating	2
Safety Instructions	
Safety Considerations	4
Driving Outdoors	7
Driving on Various Terrains	9
Familiarize yourself with your Power Wheelchair	
Feature Diagram	11
P200 Specifications	12
Terminology	13
Assembly and Disassembly	14
Adjusting for Comfort	
Angle Adjustable Seat	17
Swing in/out Footrest	18
Adjusting the Joystick	19
Height and Width Adjustable Armrests	20
Angle Adjustable Backrest	21
Operating your Power Wheelchair	
PG VSI Controller Operation	22
Push the Power Wheelchair by Hand	26
Batteries and Charging	27
Curb Rider Installation	30
Warranty	31
Ice Symbols	34

Welcome aboard your new Power Wheelchair, and thank you for choosing our product. Please read this manual carefully, and follow all instructions before attempting to operate your Power Wheelchair for the first time. If there is anything in this manual that you do not understand, or if you require additional assistance for setting up your Power Wheelchair, please contact your local dealer.

This latest model is designed for specific practical user needs, combining solid, rugged construction, and modern high-tech electronics, to enhance safety and performance.

With a state-of-the-art, programmable electronic control system, your Power Wheelchair can be programmed and adjusted within a given range of its performance characteristics, to suit your individual needs. The controller is set up at the factory to give the Power Wheelchair nominal operating performance characteristics.

After becoming familiar with the basic operation of the Power Wheelchair, you may wish to customize the settings to fit your own personal preferences. A wide range of customization options can be adjusted such as acceleration, deceleration, maximum speed, turning speed, safety controls, better maneuverability of the joystick, and so on. Contact your local dealer for advice on additional equipment you may need.

Have your Power Wheelchair checked regularly by your local dealer is the best way to ensure smooth operation, and safety.

This manual provides users practical tips and information on safety issues, operation, and maintenance. Please read it very carefully to ensure your maximum enjoyment and to fully benefit from your independence and mobility.

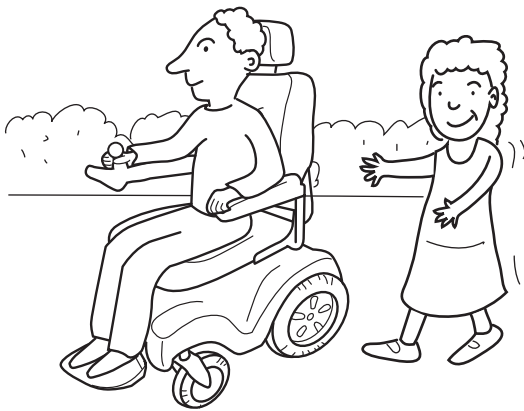
Whenever special advice or attention is needed, please do not hesitate to contact your local dealer, who has the tools and know-how to provide expert servicing for your Power Wheelchair.

Your satisfaction and opinions are highly valued by both your local dealer and by Merits. Please be sure to fill out the enclosed guarantee form, and return it to your local dealer. The information is necessary for providing you with the best service, and to be sure all of your needs are met.

Failure to follow these instructions may result in damage to the power wheelchair or serious injury.

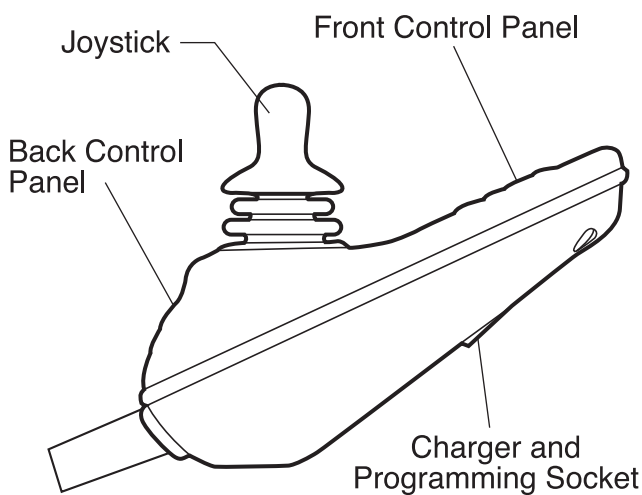
## Practice before operating

Find an open area such as a park and have an assistant to help you practice until you have confidence operating this vehicle.

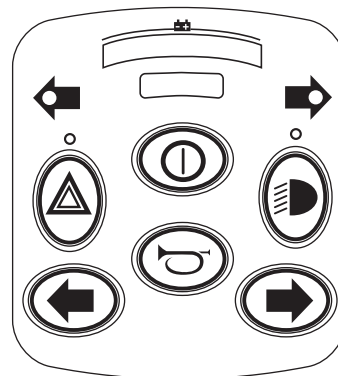


Make sure that the power is off before getting in or out of the seat. Set the speed control button according to your driving ability.

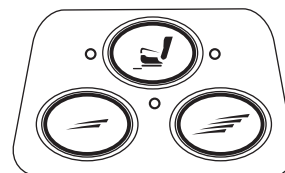
**We recommend that you keep the speed control at the slowest position until you are familiar with the driving characteristics of this vehicle.**



Front Control Panel

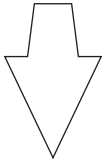
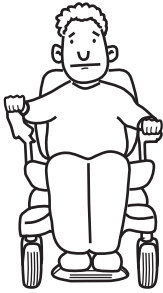


Rear Control Panel

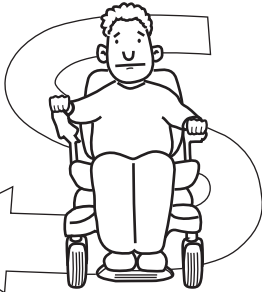


Refer to page 23 for an explanation of the various Control Panel functions

Getting familiar with this vehicle



First, practice moving forward.  
Be sure to set the speed to the lowest setting.



After becoming familiar with moving forward, practice making "S" turns.



Once you are familiar with "S" turns, practice moving in reverse. Note that for any speed control setting, the vehicle moves more slowly in reverse than forward

## Safety considerations

DO NOT do any of the following:

Do not carry any passengers

**NO!**



Do not drive across a slope

**NO!**



Do not drink and drive

**NO!**

Consult your physician to determine if your medications impair your ability to control this vehicle



Do not tow a trailer

**NO!**



Do not turn on or use hand-held personal communication devices such as citizens band (CB) radios and cellular phones

**NO!**



This vehicle has an immunity level of 20 v/m which should protect it from Electromagnetic Interference (EMI) from radio wave sources. The rapid development of electronics, especially in the area of communications, has saturated our environment with electromagnetic (radio) waves that are emitted by television, radio and communication signals. These EM waves are invisible and their strength increases as one approaches the source. All electrical conductors act as antennas to the EM signals and, to varying degrees, all power wheelchairs and power scooters are susceptible to electromagnetic interference (EMI). This interference could result in abnormal, unintentional movement and/or erratic control of the vehicle. The United States Food and Drug Administration (FDA) suggests that the following statement be incorporated to the user's manual for all electric power wheelchairs:

Powered wheelchairs and electric power scooters (in this text, both will be referred to as powered wheelchairs) may be susceptible to electromagnetic interference (EMI), which is interfering electromagnetic energy emitted from sources such as radio stations, TV stations, amateur radio (HAM) transmitters, two-way radios and cellular phones. The interference (from radio wave sources) can cause the powered wheelchair to release its brakes, move by itself or move in unintended directions. It can also permanently damage the powered wheelchair's control system. The intensity of the EM energy can be measured in volts per meter (V/m). Each powered wheelchair can resist EMI up to a certain intensity. This is called the "immunity level." The higher the immunity level, the greater the protection. At this time, current technology is capable of providing at least 20 V/m of immunity level which would provide useful protection against common sources of radiated EMI. Following the warnings listed below should reduce the chance of unintended brake release or powered wheelchair movement that could result in serious injury:

- 1) Do not turn on hand-held personal communication devices such as citizens band (CB) radios and cellular phones while the powered wheelchair is turned on.
- 2) Be aware of nearby transmitters such as radio or TV stations and try to avoid coming close to them.

- 3) If unintended movement or brake release occurs, turn the powered wheelchair off as soon as it is safe.
- 4) Be aware that adding accessories or components, or modifying the powered wheelchair, may make it more susceptible to interference from radio wave sources. (Note: there is no easy way to evaluate their effect on the overall immunity of the powered wheelchair).
- 5) Report all incidents of unintended movement or brake release to the powered wheelchair manufacturer, and note whether there is a radio wave source nearby.

**TURN OFF YOUR POWER WHEELCHAIR AS SOON AS POSSIBLE WHEN EXPERIENCING ANY OF THE FOLLOWING:**

1. Unintentional motions.
2. Unintended or uncontrollable direction.
3. Unexpected brake release.

The FDA has written to the manufacturers of power wheelchairs, asking them to test their new products to be sure they provide a reasonable degree of immunity against EMI. The letter says that powered wheelchair should have an immunity level of at least 20 V/m, which provide a reasonable degree of protection against the more common sources of EMI. The higher the level, the greater the protection.

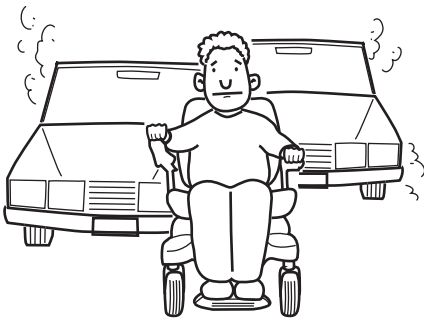


## Driving Outdoors

When you are on the road, please pay attention to the following:

Do not drive in traffic

**NO!**



Do not drive beside a river, port, or lake without a fence or railing

**NO!**



If possible, do not drive during the rain

**NO!**



If possible, do not drive during or on snow

**NO!**



Do not drive off-road or on any uneven surfaced roads

**NO!**

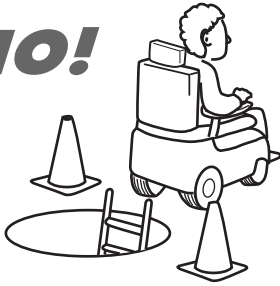


If possible, do not drive at night

**NO!**



**NO!**



Make sure that there are no obstacles behind you when in reverse.

We recommend to set up the speed at the lowest setting for reversing

**NO!**



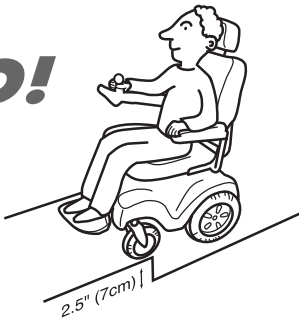
Do not make sudden stops, weave erratically, or make sharp turns.

**NO!**



Keep your arms on or inside the armrests and feet on the footrest at all time.

**NO!**



Do not attempt to climb curbs greater than 2"(5cm).

**NO!**



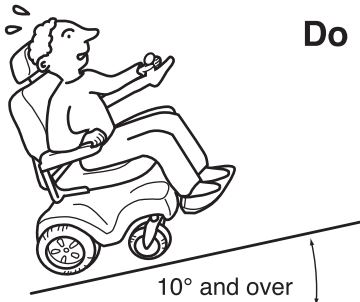
Do not attempt to cross over a gap greater than 4"(10cm).

Gap greater 4"(10cm)

## Driving on Various Terrains

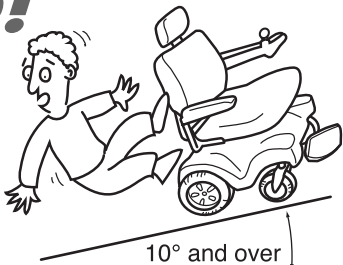
Driving on hills is more dangerous than on level surfaces. If you fail to heed these warnings, a fall, tip-over or loss of control may occur and cause severe injury to the vehicle user or others.

**NO!**



Do not attempt to climb a hill greater than 10°

**NO!**



Do not reverse while driving up a hill.

Forward only. If you reverse while moving up a hill, it may cause the vehicle to tip over.

**NO!**



Do not attempt to drive across a sloping surface greater than 3°

Driving across a slope greater than 3° is very dangerous and may cause the vehicle to tip over.

**NO!**



Do not drive over soft, uneven or unprotected surfaces such as grass, gravel and decks.

**NO!**



**Use low speed while driving down hill.**

When braking while moving down hill, the wheelchair will take longer to come to a complete stop.

**NO!**



**Do not get on and off on a hill.**

Always stop on the level surface to get in and get out of the vehicle.

**YES!**



**Always climb or descend gradients perpendicular to the slope or ramp.**

## Feature Diagram

In this section, we will acquaint you with the many features of your power wheelchair and how they work. Upon receipt of your power wheelchair, inspect it for any damage. Your power wheelchair consists of the following components.



- |   |                                   |
|---|-----------------------------------|
| <b>1. Controller</b>                      | <b>6. Swing in/out Footrest</b>   |
| <b>2. Joystick</b>                        | <b>7. Angle Adjustable Seat</b>   |
| <b>3. Height/Width Adjustable Armrest</b> | <b>8. Angle Adjustable Back</b>   |
| <b>4. Drive Wheel</b>                     | <b>9. Battery Boxes</b>           |
| <b>5. Caster Wheel</b>                    | <b>10. Rear Suspension System</b> |



Model No.	P200		
Seat Width	457mm/18"	432mm/17"	407mm/16"
Length	1035mm/40.7"		
Width	660mm/26"	584mm/23"	559mm/22"
Seat height (from ground)	500mm/19.7"		
Caster wheel	8"(200*50)foam filled tire		
Drive wheel	12 1/2" foam filled tire		
Weight Capacity	136kgs/21st		
Max. Speed	6.4kph/4mph		
Range	40km / 25 miles		
Turning Radius	580mm/23"	570mm/22.5"	560mm/22"
Controller	P&G VSI 50A		
Gradient	12°		
Battery	12V/22NF*2pcs		
Brake	intelligent, regenerative, electromagnetic brakes		
Anti-tip	2 rear anti-tip wheels		
Unit Weight	67kg/147lbs	66.7kg/146.3 lbs	66.4kg/145.7lbs
Charger	5 Amp off-board		

## Terminology

**Joystick** The device used to "move" the power chair.

### Controller

**Armrests** Where arms can rest during time spent on power chair.

**Cover** The plastic piece or pieces that cover the power chair base.

**Footrest** Where feet rest during time spent on the power chair.

**Anti-tip wheels** Wheels that allow slight tipping, or prevent tipping while driving.

**Drive Wheel** Wheels that move the power chair. These are the main wheels.

**Caster Wheel** The front wheels

**Controller Harness Connectors** Joystick cables connect to the power base.

## Freewheel Lever

For convenience, your power wheelchair is equipped with two freewheel levers. These levers allow you to disengage the drive motors and maneuver the chair manually.

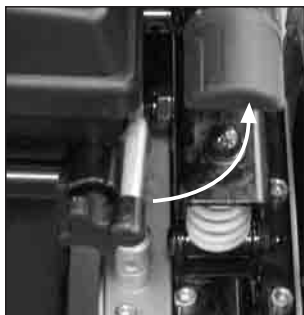


**WARNING: DO NOT** use the power wheelchair without the presence of an attendant while the drive motors are disengaged! **DO NOT** disengage the drive motors when your power wheelchair is on an incline, as the chair could roll down on its own, causing injury!

To engage or disengage the drive motors:

1. Turn the freewheel levers forward to disengage the drive motors.
2. Turn the freewheel levers backward to engage the drive motors.

Note: It is important to remember that when the power wheelchair is in the freewheel mode, the braking system is disengaged.



Engaged → Disengaged

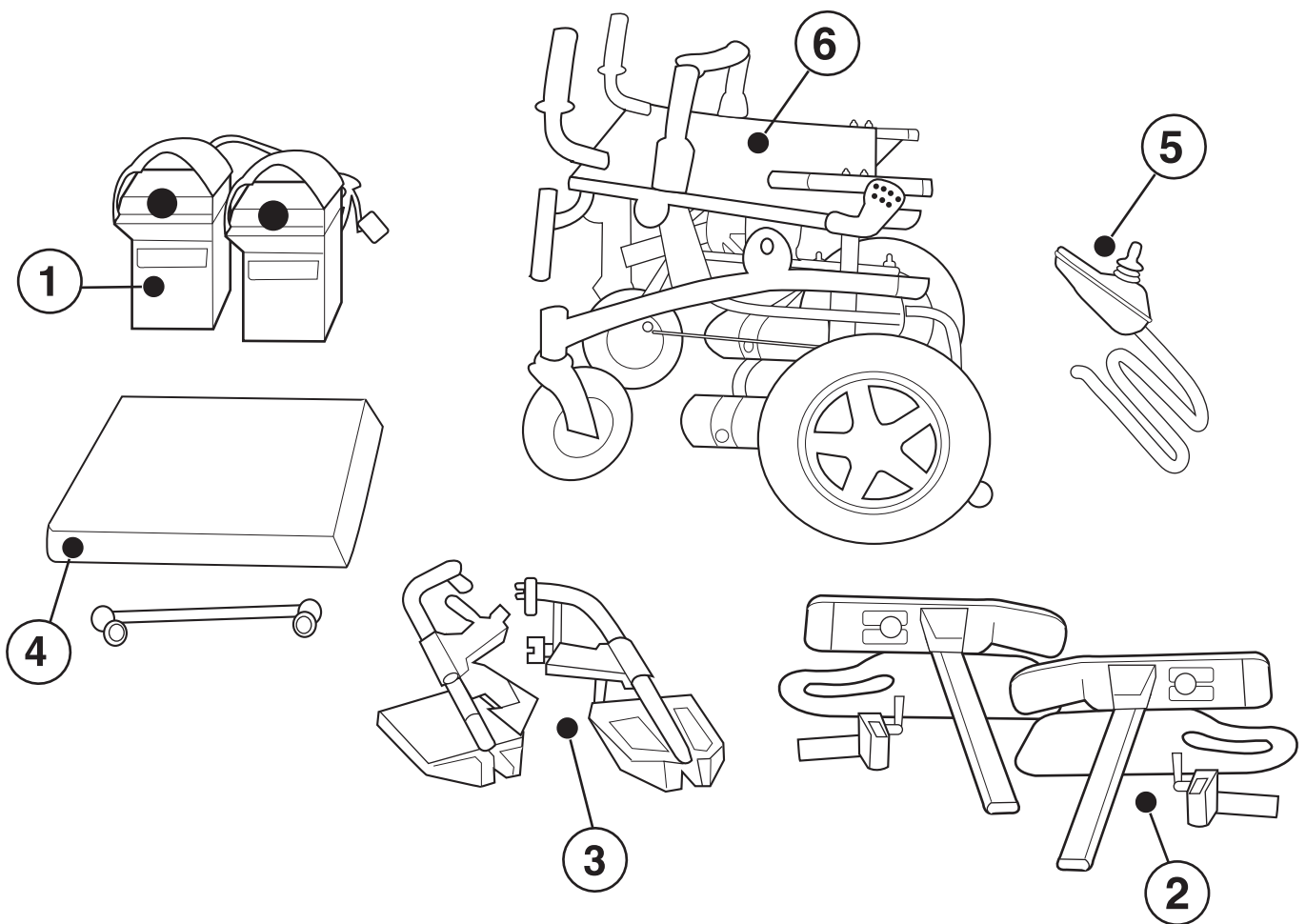


Disengaged → Engaged

## Assembly and Disassembly

Your P200 Power Wheelchair included the following items:

1. Battery and Battery Box (2 pcs each)
2. Armrests - 1 pair
3. Footrests - 1 pair
4. Cushion - 1 pc
5. VSI Controller - 1 pc
6. P200 Power Wheelchair Main Chassis - 1 pc
7. User's manual - 1 pc
8. Tool Kit - 1 set





## **Assembly Base Step of the Power Wheelchair**

**Step 1.** Install the battery boxes by sliding onto the two rails underneath the seat.

**Step 2.** Install the armrests onto the frame - slide the armrest tube into the clamp.  
Twist the release lever to lock into place.

**Step 3.** Install the footrests onto the frame - slide the footrest tube into the holder.  
Press the release lever to swing the footrests into position.

**Step 4.** Install the controller

4A. insert the mounting bracket tube into the receiver

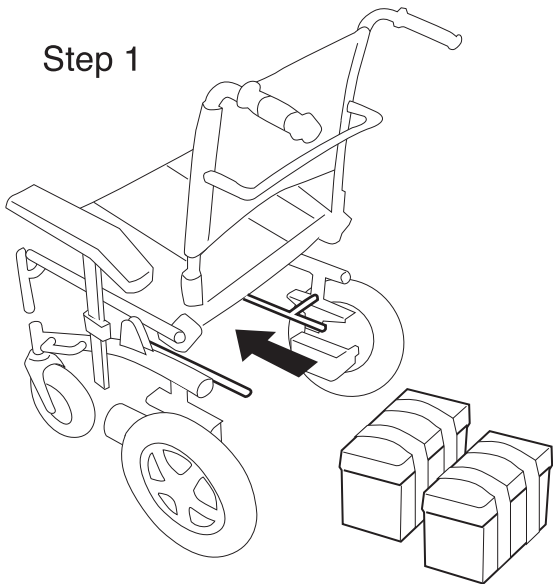
4B. adjust to the desired position

4C. tighten with a wrench.

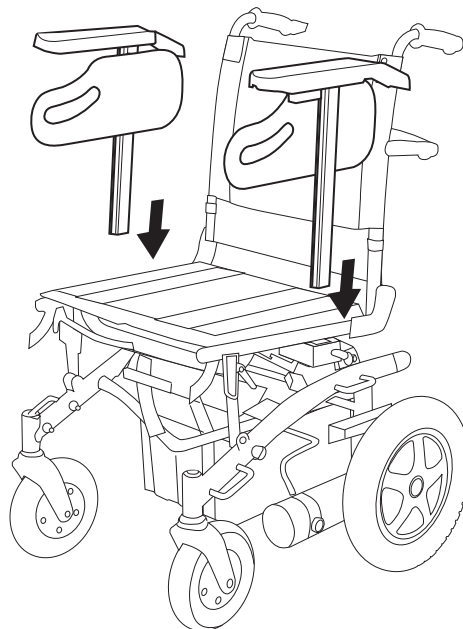
**Step 5.** Insert the main plug into the controller socket. Plug in the power connector  
and controller connector.

**Step 6.** Attach the cushion onto the seat with the velcro.

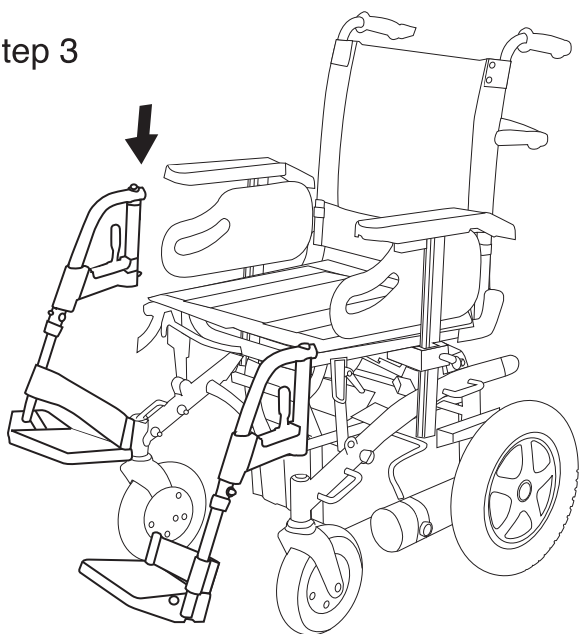
Step 1



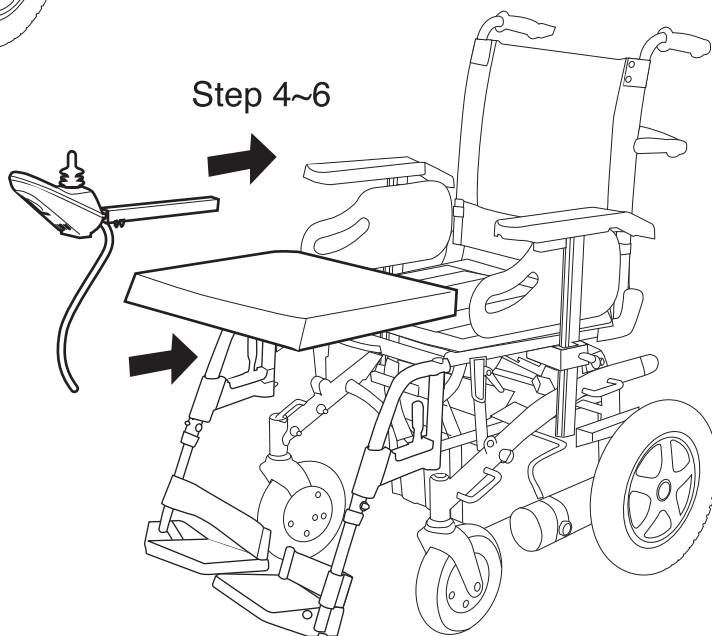
Step 2



Step 3



Step 4~6



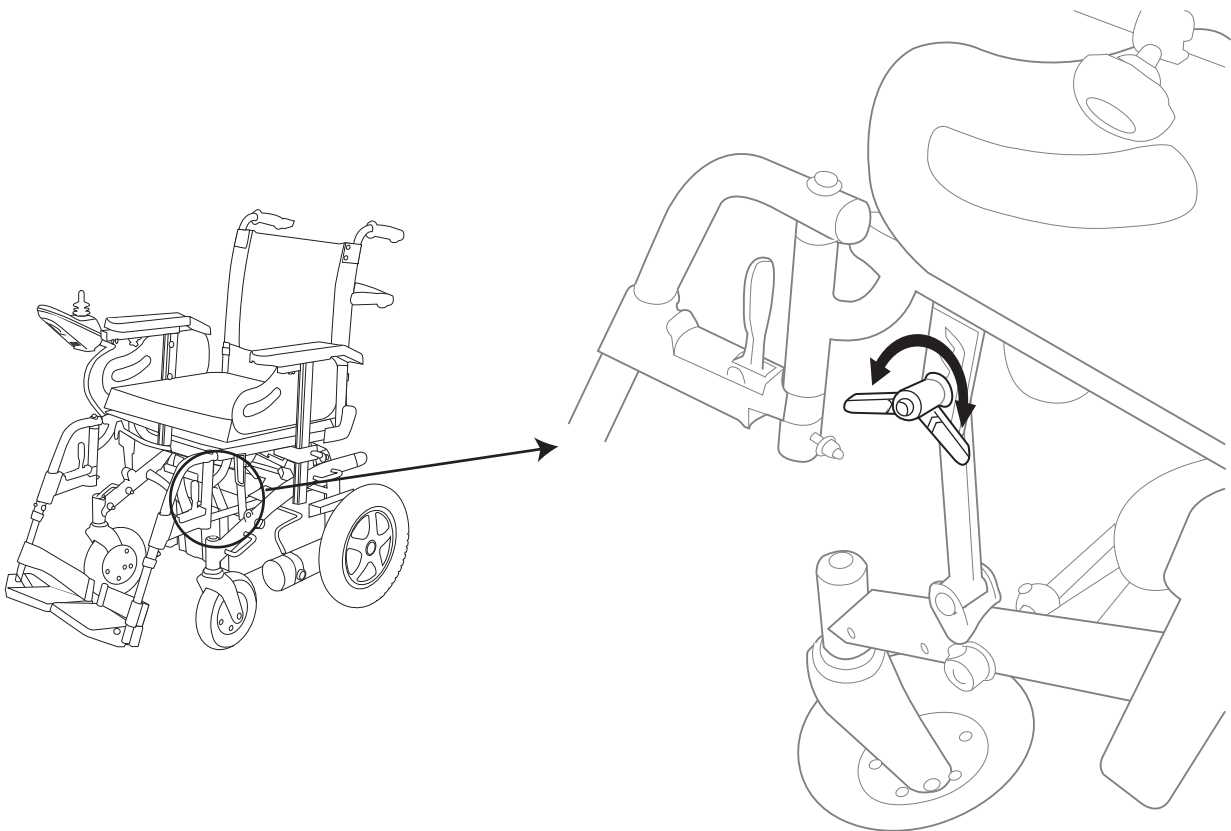
## Angle Adjustable Seat

The seat angle is adjustable to four different positions.

1. seat vertical - (90 degrees)
2. seat reclined by 3.5 degrees - (93.5 degrees)
3. seat reclined by 7 degrees - (97 degrees)
4. seat reclined by 10.5 degrees - (100.5 degrees)

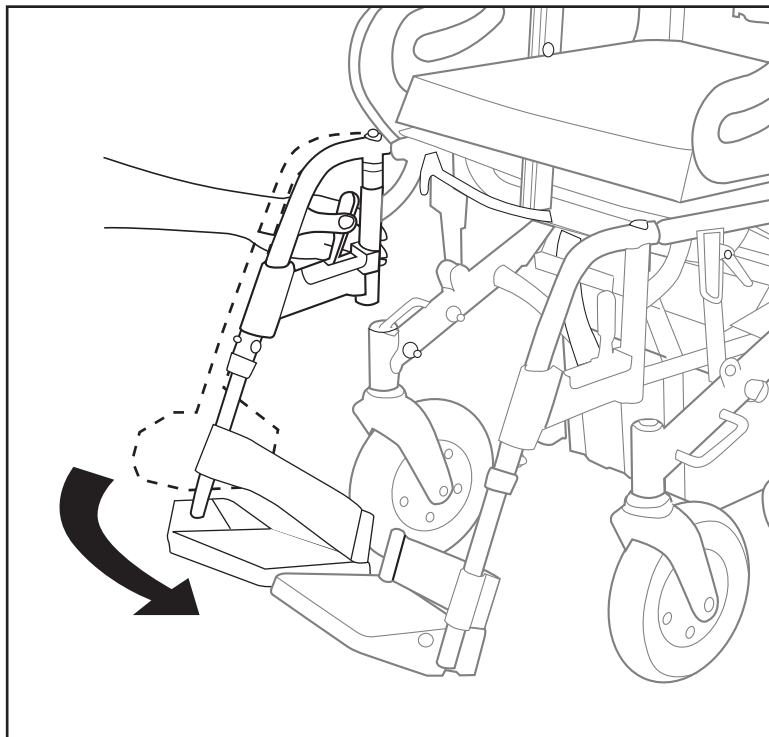
Adjusting the seat angle

1. Loosen the thumbscrew
2. Remove the thumbscrew from it's current position to the desired location
3. Replace the thumbscrew to lock the seat in place. Be sure the screw is firmly tightened.



## Swing in/out Footrest

1. Press the plastic lever to release the locking mechanism
2. Push the footrest outwards
3. Push the footrest inwards until it locks into place.



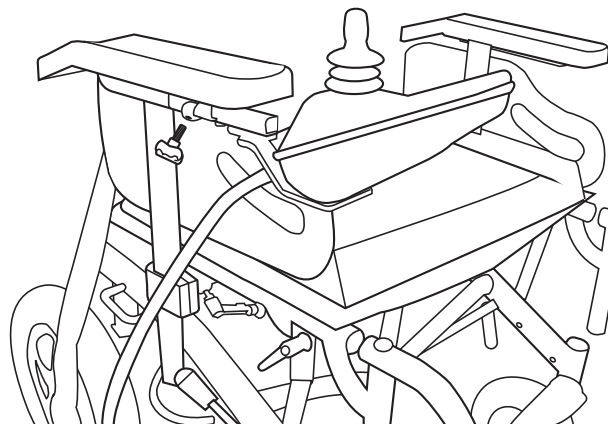
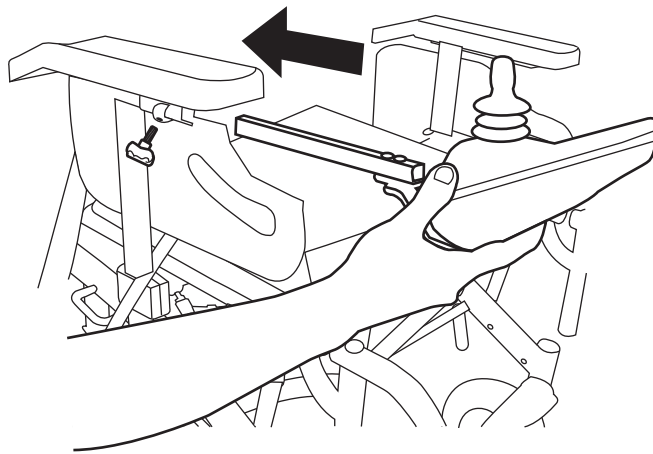
## Adjusting the Joystick

Adjusting the Joystick length; Forward or Backward

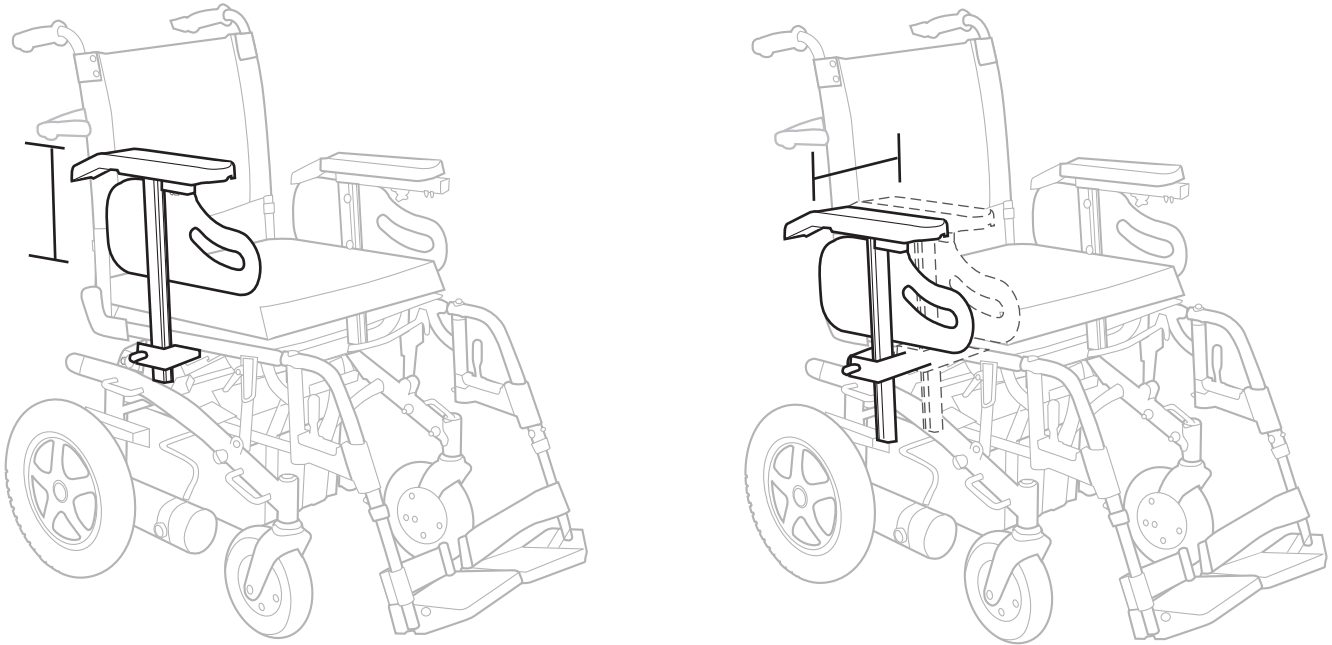
1. Flip up the armrest for easy access
2. Loosen the thumbscrew, slide the joystick bracket in or out to the desired length.
3. Replace the thumbscrew, and tighten.

Moving the Joystick to the other seat arm

1. Disconnect the joystick cable
2. Remove both armrests, while the joystick is secured on one of the armrests
3. Switch the armrests
4. Replace the thumbscrews, and tighten.



## Height and Width Adjustable Armrests



The adjustment range of the armrest's height is 4 inches, with the height adjustable from a minimum of 8 inches, up to a maximum of 12 inches.

### Setting the initial height

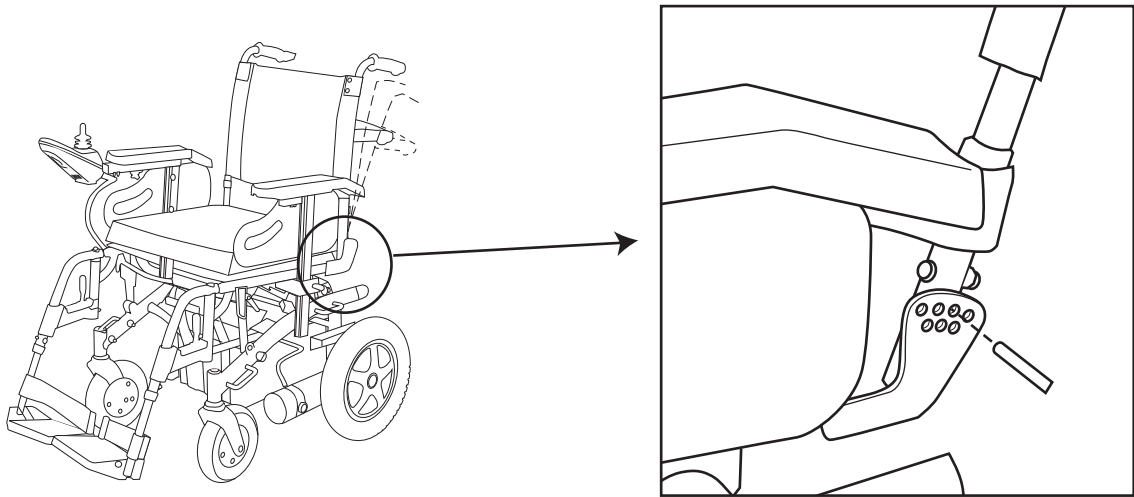
1. Locate and loosen the thumbscrew from the vertical armrest holder
2. Insert the armrest into the bracket
3. Select the desired height and tighten the thumbscrews as firmly as possible

### Width Adjustable Armrest

The adjustment range of the armrest's width is 2 inches on each side

1. Locate and loosen the thumbscrew on the armrest bracket
2. Insert the armrest into the horizontal brackets
3. Select the desired width and tighten the thumbscrews as firmly as possible

## Angle Adjustable Back



The backrest angle is adjustable to seven different positions.

1. vertical - (90 degrees)
2. reclined 5 degrees - (95 degrees)
3. reclined 10 degrees - (100 degrees)
4. reclined 15 degrees - (105 degrees)
5. reclined 20 degrees - (110 degrees)
6. reclined 25 degrees - (115 degrees)
7. reclined 30 degrees - (120 degrees)

For reasons of operator forward visibility and vehicle stability, it is suggested that the most forward back-angle be chosen that is consistent with operator comfort.

### Resetting the Back Angle

1. Note that at the pivot point of the seat back, a screw is positioned through the pivot that limits backward motion of the seat back. The left side pivot is imprinted with the stop angles. Observe the current stop position.
2. Remove the nut and screw from the stop position of each pivot.
3. If you need to recline the back more, reposition the stop screws into stop positions 1 higher than was observed in step 1. If you wish to reduce the back angle, reposition the stop screws into positions 1 lower than was observed in step one.
4. Replace the nuts onto the stop screws to lock the setting.

# P&G VSI Controller Operation

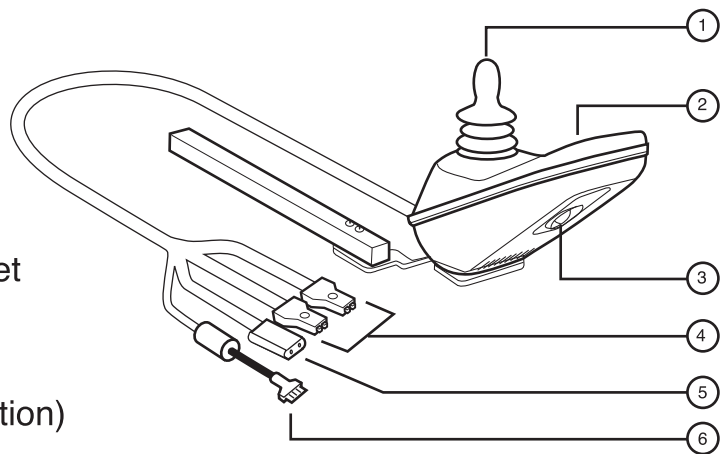
## VSI Controller

The electronic controller is what you use to operate your power chair. It takes the battery voltage and sends it to the appropriate system. The electronic controller enables you to move the power chair, as well as monitor battery charge, electronic controller functions, and the conditions of your electrical system.

The VSI controller is an integral electronic controller. All of the electronics necessary to operate the power chair are contained in one module.

The VSI consists of:

1. Joystick
2. Keypad
3. Off-board charger/programming socket
4. Motor connector
5. Battery connector
6. Lighting spur (for models with light option)



Typically, the VSI is mounted to one of the armrests and is connected to the motors and batteries.

## Joystick

The joystick controls the direction and speed of your power chair. When you move the joystick from the neutral position (center), the electromagnetic brakes release and allow your power chair to move. The further you push the joystick from its neutral position, the faster the power chair moves. When you release the joystick and allow it to return to the neutral position, you engage the electromagnetic brakes. This causes the power chair to decelerate and come to a complete stop.



**WARNING! If your power chair begins to move in an unexpected manner, immediately release the joystick. unless the joystick is damaged, this action should stop your power chair.**



## P&G VSI Controller Operation

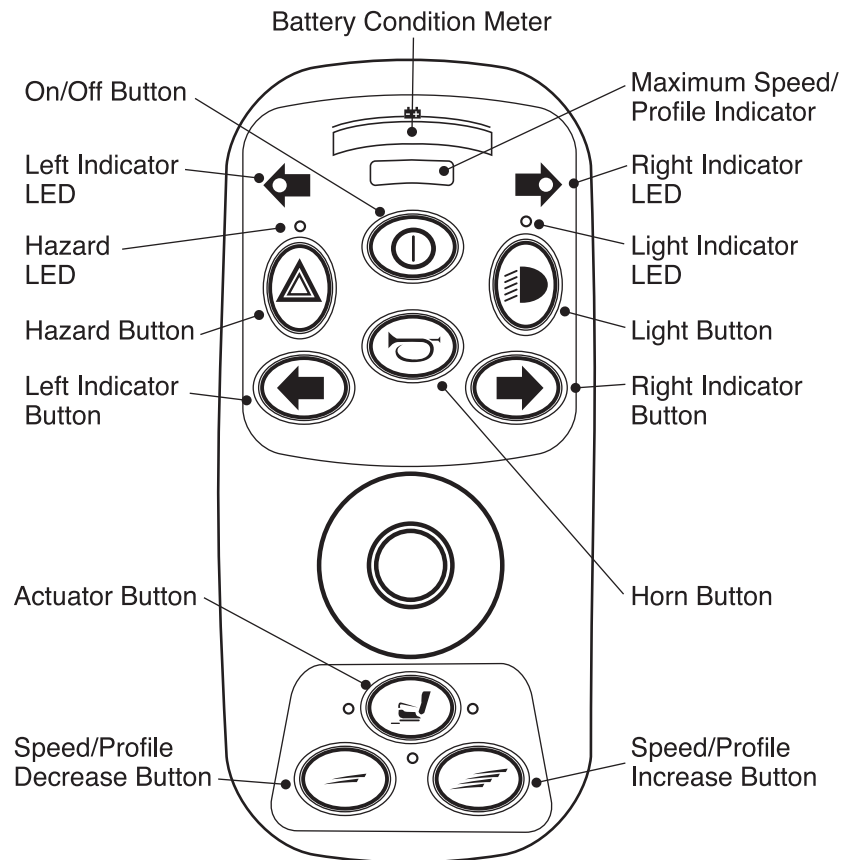
### Keypad

The keypad is located on the front of the joystick. It contains keys necessary to operate your power chair.

### On/Off key

The on/off key turns the VSI on and off

# Note: Your VSI controller will only have the horn & on off function buttons.



**WARNING!** Unless faced with an emergency situation, do not use the on/off key to stop the chair. This will cause the power chair to stop abruptly

**WARNING!** Always turn the power off when you are stationary to prevent unexpected movement.

### Battery Condition Meter

The battery condition meter is located in the front of the joystick. This is a 10-segment illuminated display that indicated that the VSI is turned on and also gives the battery status, the VSI status, and the electrical system status.

**Red, yellow, and green lights lit:** Battery charged; VSI and electrical system OK.

**Red and yellow lights lit:** Charge battery if possible; VSI and electrical system OK.

**Red lights only lit, or slow flash:** Charge battery as soon as possible; VSI and electrical system OK.

**Rapid flash of lights:** Indicates a fault in the VSI or the electrical system. Refer to "VSI Error Codes."

**Ripple up and down lights:** The joystick was not in the neutral position when the controller was turned on. If you get the "ripple up and down lights", turn off the controller, allow the joystick to return to the neutral position, then turn on the controller.

NOTE: If you still get the "ripple up and down lights", contact your Merits dealer.

NOTE: When the batteries approach a discharged state, the first red light will begin to slowly flash, reminding you the batteries need to be charged immediately.

## P&G VSI Controller Operation

### Speed/Profile Keys

There are two keys that control either the speed or the profile. This depends on how your VSI was programmed. Press the speed/profile increase key to increase the speed or change the profile. Press the speed/profile decrease key to decrease the speed or change the profile. The speed/profile setting is displayed on the maximum speed/profile indicator. If your power chair was programmed with a drive profile, contact your authorized Merits dealer to provide more information.

**NOTE:** We recommend that the first few times you operate your power chair, you set the speed to the slowest setting until you become familiar with your new power chair.

### Horn key

The horn key activated the horn.

### Off-Board Charger/Programming Socket

You may use an off-board charger to charge the power chair batteries through the 3-pin socket located in the front of the VSI. If you use an off-board charger, the charger current should not exceed 12 amps. Contact your Merits dealer for more information.

**CAUTION!** Only chargers with Neutrik NC3MX plugs should be connected to the onboard charger/programming socket. See your merits dealer for more information.

Note: The socket may also be used for programming the VSI. Contact your merits dealer for more information.

### Light Button Indicator (for optional equipment on some models)

To turn on the wheelchair's lights, operate this button. The associated LED will illuminate continuously. If the LED flashes, a short circuit in the lighting circuit has been detected. Depress the light button to turn off the lights and associated LED.

### Left Turn Button indicator and LED (for optional equipment on some models)

To turn on the wheelchair's left turn indicator operate this button, the associated LED will flash at the same rate. Depress the left indicator button to turn off the indicators and associated LED.

### Right Turn Button indicator and LED (for optional equipment on some models)

To turn on the wheelchair's right turn indicator operate this button, the associated LED will flash at the same rate. Depress the right indicator button to turn off the indicators and associated LED.

### Hazard Warning Button indicator and LED (for optional equipment on some models)

To turn on the wheelchair's hazard indicator operate this button, the associated LED will flash at the same rate. Depress the hazard indicator button to turn off the indicators and associated LED.

**NOTE:** If any of the above the LEDs flashes rapidly, either a total short circuit, a single open circuit, or a total open circuit in the associated indicator has been detected.

## P&G VSI Controller Operation

**CAUTION!** Failure to properly align the connectors can result in damage to the controller, the charger, and the connectors.

### Battery Connector

This connects the VSI to the power chair's battery box.

### Motor Connector

This connects the VSI to the power chair's motors and brakes.

### Lighting Spur (for optional equipment on some models)

This connects the VSI to the lighting module.

### Thermal Rollback

The VSI controller is equipped with a thermal rollback circuit. The circuit monitors the temperature of the controller, which roughly translates to motor temperature. In the event that the VSI controller becomes excessively hot (above 140 deg. F), motor current (amperage) is reduced. For every degree above 140 deg., the motor current limit is reduced by 40 amps until the VSI controller reaches 158 deg. F., at which time the current output is reduced to zero. This reduces your chair's "power", which also could reduce your chair's speed, and allows the electrical components and motors to cool down. When the temperature returns to a safe level, your power chair resumes normal operation.

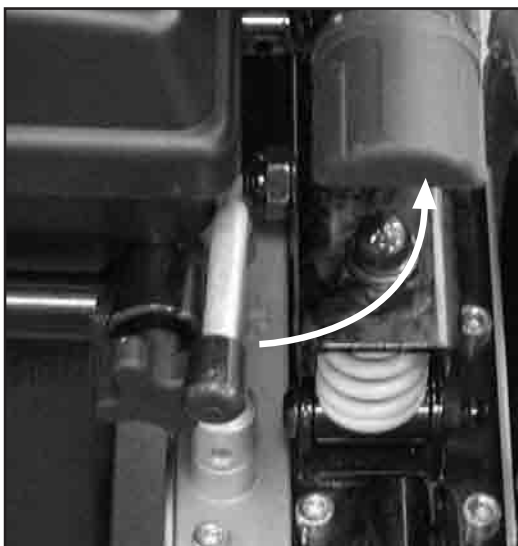
### VSI Error Codes

The VSI controller is designed with the user's safety as the prime consideration. It incorporates many sophisticated self-test features which search for potential problems at a rate of 100 times per second. If the VSI detects a problem either in its own circuits or in the power chair's electrical system, it may stop the power chair, depending on the severity of the problem. The VSI is designed to maximize the user's safety under all normal conditions. The table below identifies the individual error codes. Error codes are displayed as a rapid flashing of lights. If you get one of these error codes, please contact your Merits dealer.

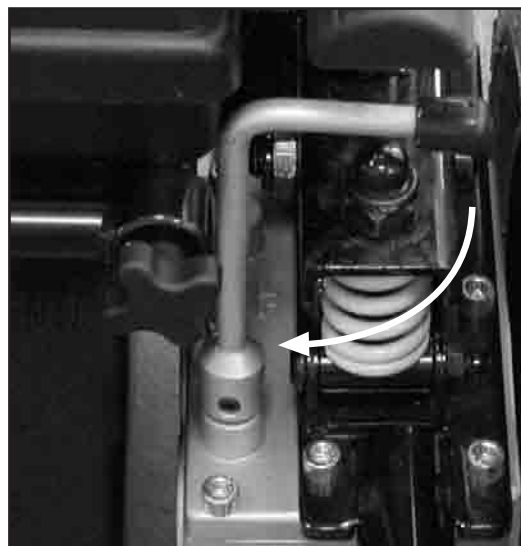
Flashing Lights	Diagnosis/Solution
1	The battery needs charging, or there is a bad connection to the battery. Check the connections to the battery. If the connections are good, try changing the battery.
2	The left motor has a bad connection. Check the left motor connection.
3	The left motor has a short circuit to a battery connection. Contact your Merits dealer.
4	The right motor has a bad connection. Check the left motor connection.
5	The right motor has a short circuit to a battery connection. Contact your Merits dealer.
6	The power chair is being inhibited by the battery charger. Unplug the battery charger.
7	A joystick fault is indicated. Make sure that the joystick is in the neutral (center) position before turning on the controller.
8	A controller fault is indicated. make sure that all connections are secure.
9	The parking brakes have a ad connection. Check the parking brake and motor connections. make sure the controller system connections are secure.
10	An excessive voltage has ben applied to the controller system. This is usually caused by a poor battery connection. Check the battery connections.

## Push the Power Wheelchair by Hand

1. The freewheel lever is located on the gearbox.
2. Pull the freewheel lever forward to release the motor brake if necessary. This is called the "Disengaged" position.
3. When the freewheel lever is at the disengaged position, the Power Chair can be manually pushed by an attendant.
4. Switch of the controller's power and it will be easier to push the wheelchair.
5. With a convenient push bar behind the backrest, connecting two hand grips, attendant pushing is very easy.



Engaged → Disengaged



Disengaged → Engaged

## Batteries and Charging

Your Power Wheelchair uses two long-lasting, 12-volt batteries. These batteries are sealed, maintenance free, deep-cycle batteries. Since they are sealed, there is no need to check the electrolyte (fluid) level. Deep-cycle batteries are designed to handle a deep discharge. Though they are similar in appearance to automotive batteries, they are not interchangeable. Automotive batteries are not designed to handle a long, deep discharge, and are also unsafe for use in power wheelchairs.

**WARNING!** Battery posts, terminals and related accessories contain lead and lead compounds. Wash hands after handling.

### BATTERY BREAK-IN

To break in your power wheelchair new batteries for maximum efficiency:

Fully recharge any new battery prior to initial use. This will bring the battery up to about 90% of its peak performance level.

Run your power wheelchair about the house and yard. Move slowly at first, and do not stray too far until you become accustomed to the controls and break in the batteries.

Give the batteries another full charge of 8 to 14 hours and operate the power wheelchair again. The batteries should now perform at over 90% of their potential.

After four or five charging cycles, the batteries will top off at 100% charge and last for an extended period.

### IMPORTANT INFORMATION ABOUT BATTERIES

A fully charged deep-cycle battery provides reliable performance and extended battery life. Keep your batteries fully charged whenever possible. Batteries that are regularly discharged, infrequently charged, or stored without a full charge may be permanently damaged, causing unreliable operation and limited battery life.

If you do not use your power wheelchair regularly, we recommend maintaining battery vitality by charging the batteries at least once a week.

Note: If you are storing a power wheelchair for an extended period of time, you may wish to block the unit up off the ground with several boards under the frame. This keeps the tires off the ground and prevent the possibility of flat spots developing.

If you intend to use public transportation while using your power wheelchair, you must contact in advance the transportation provider to determine their specific requirements

## Batteries and Charging

Sealed Lead Acid and Gel Cell batteries are designed for application in wheelchairs and in other mobility vehicles. generally, Sealed Lead Acid batteries that are marked as "Non-Spill" are safe for all forms of transportation such as aircraft, buses, and trains. We suggest that you contact your transportation provider to determine specific requirements of transportation and packaging.

If you wish to use a freight company to ship the power wheelchair to your final destination, repack the power wheelchair in the original shipping container and ship its batteries in separate boxes.

### Charging Your Batteries

The battery charger is one of the most important parts of your power wheelchair. Optimize your power wheelchair performance by charging the batteries safely, quickly, and easily. Use only the charger supplied with the vehicle.

### Charging Procedures

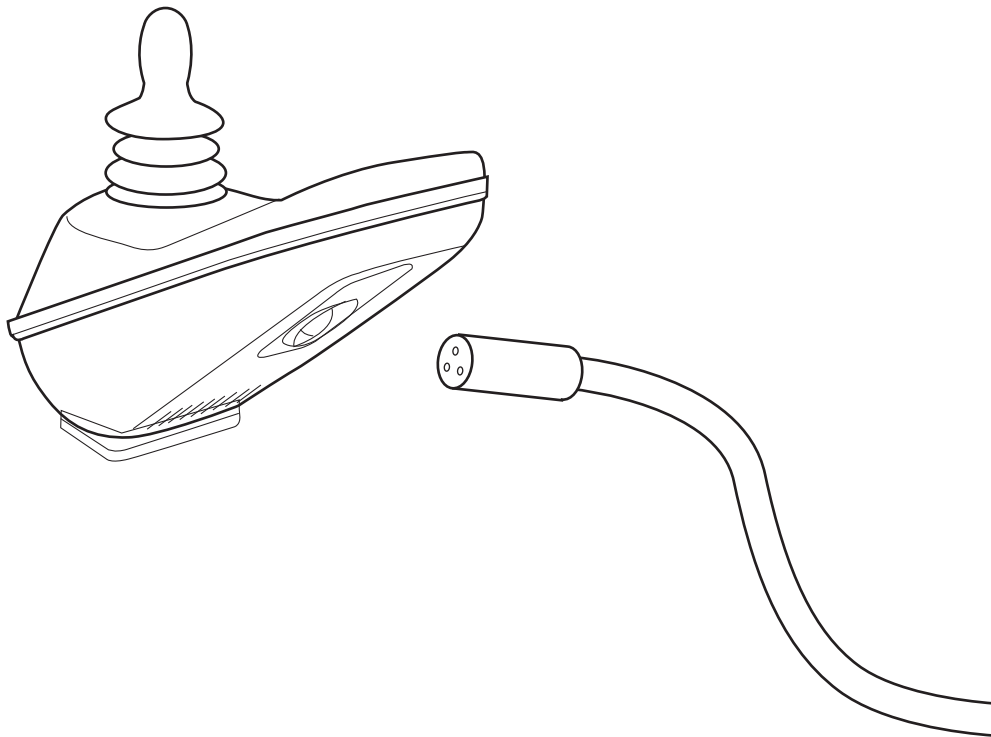
1. Keep charger output plug inserted into the charging socket in the front of the controller before having the charger input plugged into an electrical outlet.
2. Follow the instructions on the front panel of the charger for operating and learn the meanings of the different indicators accordingly.
3. Minimum charging time varies depending on battery condition and discharge level. it is recommended to charge the batteries overnight.

NOTE: The specially designed charger assures that excess power is not consumed regardless of how long it is switched on, and connected to the batteries.

4. Once charging is complete, disconnect the charger from the electrical outlet and then disconnect the charger from the controller socket. Do not leave the charger connected to controller when input power is disconnected. it is dangerous and will jeopardize the power charging to the batteries.

## Batteries and Charging

For replacement batteries, contact your dealer.



**WARNING:** Do not exceed the maximum charging current of 12 A rms. Always use an off-board charger fitted with a Neutrik NC3MX plug. Failure to observe these conditions could result in poor contact resistance in the charger connector resulting in overheating of the charger plugs. This presents a potential burn hazard for the user. Penny & Giles accepts no liability for losses of any kind arising from the failure to comply with this condition.

## Warranty Terms and Conditions

---

This is to certify that your Roma Medical® product is warranted for a period of 12 months from the date of original purchase. This warranty is not transferable.

***Should a defect or operating fault arise within this period the Dealer from where the product was originally purchased should be notified immediately. Failure to register the fault may invalidate the warranty. The Dealer from where the product was purchased is responsible for any warranty repairs.***

Roma Medical warrants that if a fault occurs within this period due to faulty workmanship or materials that the product will be repaired (or replaced at the Companys discretion) free of charge.

Any unauthorised modifications will invalidate the warranty.

Parts which are subjected to normal wear and tear, accidental damage, neglect or misuse are excluded from this warranty. Normal wear and tear includes tyres, chassis covers, bulbs, seat coverings etc.

Component parts replaced outside this period carry a six-month warranty. (Standard terms and conditions apply for this period).

Model: \_\_\_\_\_

Serial No: \_\_\_\_\_

Purchase Date: \_\_\_\_\_

Dealer Stamp

Roma Medical Aids Ltds  
York Road, Bridgend Industrial Estate,  
Bridgend  
CF31 3TB  
Tel: 01656 674488 Fax: 01656 674499  
Email: sales@romamedical.co.uk  
www.romamedical.co.uk



Roma Medical reserve the right to change specifications without prior notice



KB&SXXXXX