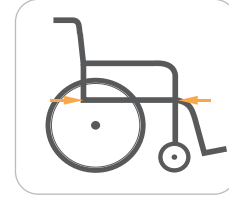


flexx TALL



Extended seat depth to assist taller users



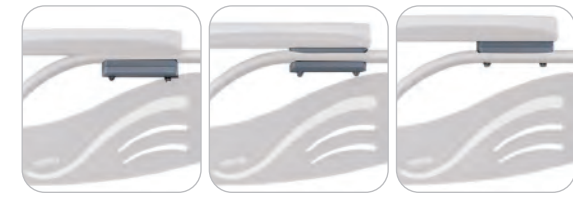
46 / 48.5 / 51 cm



flexx S



The entry level of Flexx series equipped with all key adjustments and features



karma A Better Wheelchair, A Better Fit



Manual Wheelchair

karma

A Better Wheelchair, A Better Fit

KARMA Mobility Limited

Unit6, Target Park, Shawbank Road, Redditch, B98 8YN, UK

TEL:0845-630-3436 FAX: 0845-630-3736

Email: Info@karmamobility.co.uk
www.karmamobility.co.uk



flexx



Fully adjustable for the best comfort and propelling performance



flexx HD

Extra durable and upgraded weight capacity



170 KG
Max. User Weight



flexx

Flexible, Robust, and Stylish

The Flexx is designed with key adjustments to create a suitable sitting environment and fit individual needs. With its ellipse-shaped frame design, the Flexx is not only stylish but also durable.

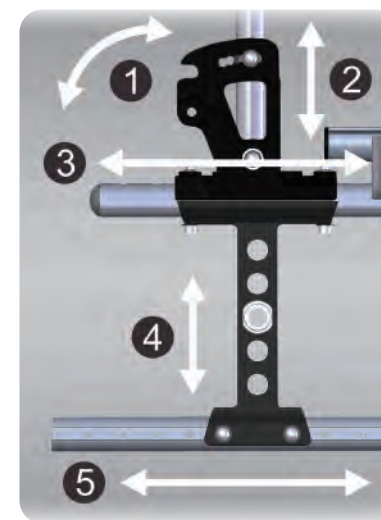


Karma reserves the right to modify information herein without further notice. Rev.00 Jul. 2018



Universal Design

The bright colour of the quick release mechanisms are easy to locate. Users can easily operate them without hesitation.



Configurable Dimensions

- Backrest angles: -4° / 0° / 4° / 8° / 12° / 16°
- Backrest heights : 43 / 51 / 38-53cm optional / 43 / 51 / 38-46cm optional **HD**
- Seat depths: 41 / 43.5 / 46cm / 41 / 46 / 51cm **HD** / 46 / 48.5 / 51cm **TALL**
- Seat to ground heights: 39 - 53cm / 45.5 - 53cm **HD TALL**
- Adjustable axle plate
- Seat widths: 38 / 40.5 / 43 / 45.5 / 48 / 50.5cm / 40.5 / 43 / 45.5 / 48cm **HD TALL**
- Front castor: 5" / 6" / 7" / 8" / 6" / 7" / 8" **HD TALL**
- Rear wheel: 14" (Mag. wheel) / 20" / 22" / 24" / 14" (Mag. wheel) / 22" / 24" **HD TALL**
- 25 Rear wheel positions
- Quick release axle

Comfortable Seating and Easy Transfer

The Flexx is equipped with flip-back armrests as well as legrest which can be swung inward, outward and removed. These functions are all for the key design of Flexx - "Easy Transfer".



Maximize Driving Performance

25 rear wheel positions can be adjusted



Height Adjustable Armrests

Tool-free adjustable armrest height from 21-29cm for ease of adjustment while seated.

• Except for **Flexx**



Flip-back Armrests

Robust skirt guard and an integrated locking system that allows for easier transfer in and out of the chair.



Grip Legrests

Inward/ outward swing away footrests improve convenience in tight areas which also allows easier access to the chair.



Rigidity

Reinforced double cross brace

	F/R Wheels	Seat width + 18cm	Seat width + 18cm	Seat width + 18cm	Seat width + 19cm	Seat width + 18cm	Max. User Weight				
Flexx	38-50.5 14", 20", 22", 24"	41-46 5"-8"	34	21-29	Max. 107	39-53	38-53	76-106	38-48	Min. 14.7kg	130kg
Flexx^{HD}	40.5-48 14", 22", 24"	48.5-51 6"-8"	34	21-29	Max. 118	45.5-53	38-46	84-104	38-48	Min. 15.7kg	130kg
Flexx^{HD}	51-61 14", 22", 24"	41-51 6"-8"	35	21-29	Max. 118	45.5-53	38-46	84-104	38-48	Min. 17.0kg	170kg
Flexx^T	38-50.5 14", 20", 22", 24"	41-46 5"-8"	34	22-24	Max. 107	39-53	38-53	76-106	38-48	Min. 14.7kg	130kg

• KARMA reserves the right to modify information herein without further notice •

The Flexx provides versatile options and accessories to satisfy individual needs

Legrests & Footplates



Elevating Legrest
Offer optimal compensation with adjustable length 38-48 cm.

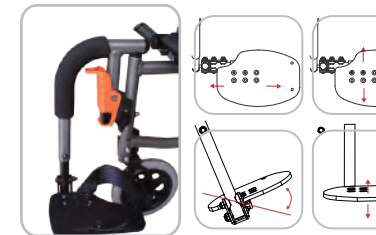


Amputee Legrest
Height, angle and depth adjustable for perfect support.



Angle Adjustable Footplate
70°-110° angle adjustable

Backrest & Seat



90° Legrest & Multi-direction Adjustable Footplate

90° Legrests and depth / angle adjustable footplate can match different users' need.



1" & 2" Extended Tube

Seat depth can be added 1" or 2" for ideal sitting comfort without replacement of seat cushion



Adjustable Handle Height

15cm adjustment.



Foldable Backrest



Adjustable Backrest Height



Tension Adjustable Backrest Upholstery

Prevent a hammock effect. Can be shaped to enhance comfort and fit individual users

Fork



Short/Long Fork (Standard)



Stylish Short/Long Fork



2" Wide Fork

Rear Wheel



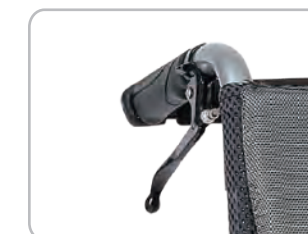
14" 20" 22" 24"

Castor



5" 6" 7" 8" 200x50

Brake



Attendant Brake

Safety options



Tie-Down Bracket



Swing-away & Height Adjustable Anti Tip

Easily swing away by foot without bending over.

Armrest



Boat Armpad



Hemi Armrest

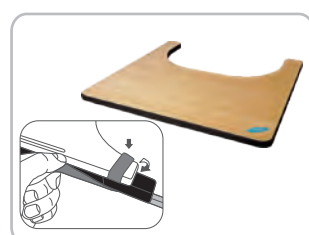


Foldable Headrest

Accessories



Seat Belt



Lap Tray



Crutch Holder



Rigidifying Push Bar

The bracing bar provides strength and rigidity to the backrest. Easy to fold.



Oxygen bottle Holder



IV Pole Holder

• Available options and accessories may vary according to model.