



REHASENSE

ICON Mobility System



ICON 120

COMFORT WHEELCHAIR

ICON 120 is a high performance comfort wheelchair with extensive set up options to fit a wide range of users.

ICON 120

COMFORT WHEELCHAIR



REHASENSE

MODULAR THINKING

As part of the **ICON Mobility System**, utilising modular design and interchangeable parts across the ICON family, the **ICON 120** can cater for many different user types and functional needs. All day comfort is ensured with the reclining back and tilt in space seat when combined with pressure distributing seat and back cushions. The arm rests and head rests are covered in soft and pliant PU fabrics to minimise



Seat width adjustment range 16" to 19".



Transit propulsion 16" rear wheels



4-point tie down system for transport and securing the wheelchair in a vehicle.



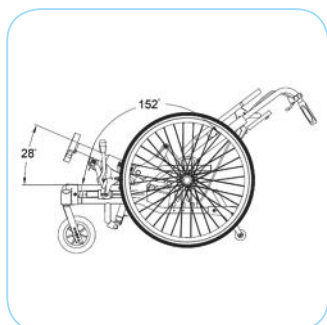
Brake options include attendant drum brakes and knee brakes.



Height adjustable armrest in a range of 27 – 40 cm.



The wheelchair is equipped standard with height adjustable push handles and multi-adjustable head rest.



152° total tilt and recline.



Front wheel options include puncture proof PU in 8" diameter at multiple positions in the front fork



The wheelchair is equipped standard with length adjustable elevating legrests.



Lateral supports as an option.

TECHNICAL DETAILS

Article code:
CWC041S-UK

Colour:
Phantom black

Safe weight limit:
28 st / 180 kg

Weight:
6,5 st / 41 kg

Transportation weight:
3,5 st / 22 kg

Seat width range:
16" to 19" / 40 - 47,5 cm

Back rest height range:
16" to 29" / 41 cm to 73 cm

Seat depth range:
14" to 18" / 36 to 46 cm

Total length:
40" / 106 cm

Length without legrests:
30" / 81 cm

Height with backrest folded:
28" / 62 cm

Backrest recline range:
83° to 126°

Tilt range:
-5° to +28°

The **Icon 120** is CE-marked and fulfils the requirements of EU directive 93/42 EEC for medical devices.

Rehasense UK
Mobility House
Marsh Lane Industrial Park
Hayle, Cornwall
TR27 5JR

Copyright © Rehasense® 2019